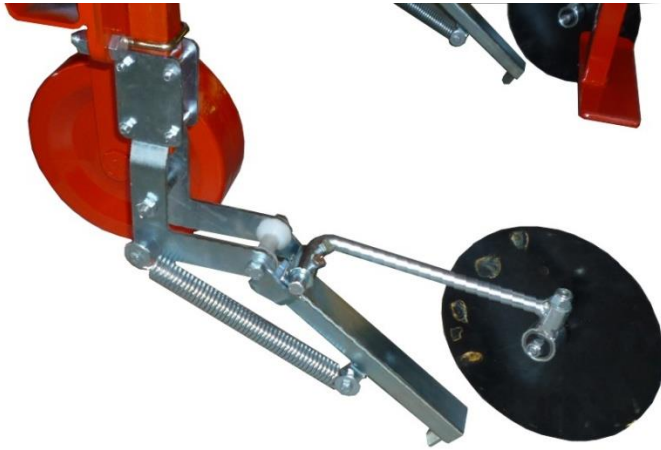


HOSE LAYER - TS



HOSE LAYER . TS

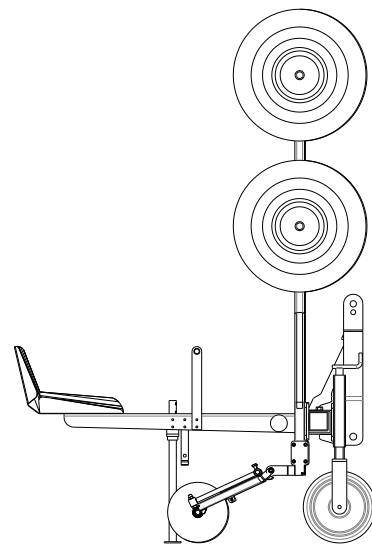
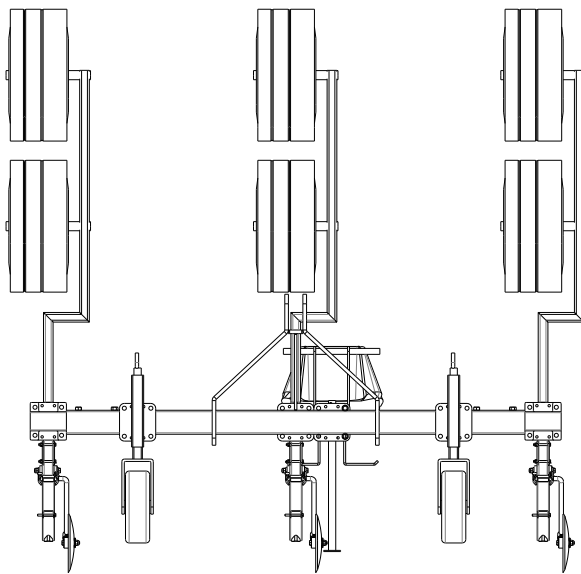
▪ Use: equipment for laying and burial of hose for watering. All models feature an independent module (from 1 to 6 units) with double loading support of coils. Fixed chassis or equipped with telescopic sections. The entire device complete with ridging plow and layer is collapsible for the equipment. Bearing wheels adjustable. Point of control



work configuration



transport configuration



<i>Technical features</i>		TS100	TS200	TS300	TS400	TS500	TS600
<i>elements</i>	nr.	1	2	3	4	5	6
<i>chassis</i>	cm	160	200	260	260	370	470
<i>length</i>	cm	150	150	150	150	150	150
<i>height</i>	cm	200	200	200	200	200	200
<i>total weight</i>	kg	160	180	200	220	240	260
<i>required minimum power</i>	hp	30 ÷ 35	35 ÷ 40	40 ÷ 45	45 ÷ 50	50 ÷ 60	60 ÷ 70

Postadress:

TRÄDGÅRDSTEKNIK AB
Helsingborgsvägen 578, Varalöv
262 96 ÄNGELHOLM

Telefon : 0431-222 90
Bg.nr : 5743-7980
Org.nr : 556409-6120

URL:

www.tradgardsteknik.se
E-postadress:
info@tradgardsteknik.se