

Universal Relay Valve (URV)

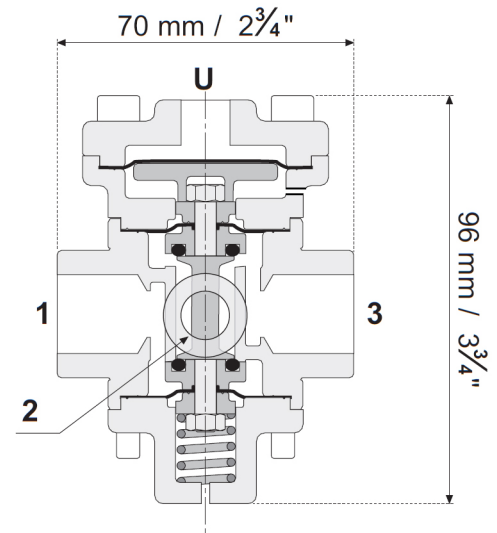
The URV “Universal Relay Valve” is a 3-Way or 2-Way multipurpose auxiliary relay valve which responds to a water or air pressure command. It has a high flow capacity and a hydraulically balanced low friction shaft travel. This unique design increases reliability and enables the use of a low command pressure regardless of the system pressure.

Typical Applications

- Signal acceleration (3/2 N.C.)
- Signal reversal and acceleration (3/2 N.O.)
- To direct one of two pressure sources to a common port (3/2 Mixer)
- To direct a single pressure source to one of two ports (3/2 distributor)
- Relay valve (2/2 N.O. or 2/2 N.C.)

Technical Data

- **Pressure rating:** 25 bar; 360 psi
- **Temperature Rating:** Water up to 80°C; 180°F
- **Minimum Command Pressure:**
Standard: 2.5 bar; 36 psi
Optional with special actuator: 0.6 bar; 9 psi / 0.2 bar; 3 psi
- **Standard materials:**
Body: Stainless Steel 316
Internals: Stainless Steel 316
Elastomers: NBR
- **Flow factor:** Kv 1.5; Cv 1.7
- **Port threads:**
Ports: 1, 2 & 3: 1/2" NPT
Command port (U): 1/4" NPT
- **Optional Materials:**
Body: Nickel Aluminum Bronze
Internals: Monel 400



Weight 1.1 kg / 2.4 lbs

3 - Way Operation

| | N.O. | N.C. | Mixer | Distributor |
|------|-----------------|-----------------|-------------------|-----------------|
| PORT | | | | |
| 1 | Vent | Supply Pressure | Pressure Source 1 | Outlet 1 |
| 2 | Common | Common | Common | Pressure Source |
| 3 | Supply Pressure | Vent | Pressure Source 2 | Outlet 2 |
| U | Command | Command | Command | Command |

2 - Way Operation

| | N.O. | N.C. |
|------|---------|---------|
| PORT | | |
| 1 | Plugged | Outlet |
| 2 | Inlet | Inlet |
| 3 | Outlet | Plugged |
| U | Command | Command |



Trädgårdsteknik AB
Helsingborgsvägen 578
262 96 ÄNGELHOLM
Telefon: 0431-222 90
Telefax: 0431-222 70
info@tradgardsteknik.se
www.tradgardsteknik.se
