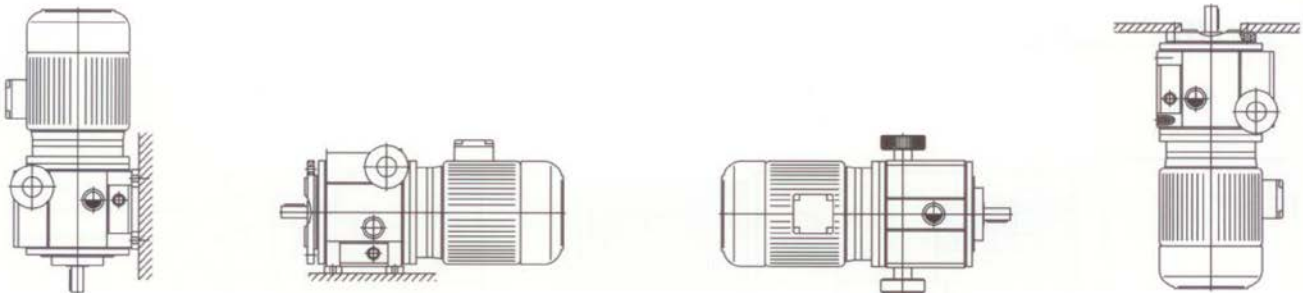


Oil quantities (ccm) variable-speed ball drive KR1-KR4



Einbaulage	V1, V5, V18	B3, B5, B14	B6, B7	V3, V6, V19
KR1	70	70	70	70
KR2	200	125	200	125
KR3	400	250	400	250
KR4	800	450	800	450

Only the use of Santotrac 50/Variotrac 32 synthetic traction fluid ensures full power transmission.

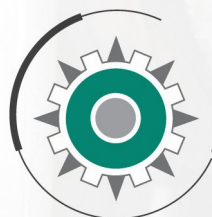
The warranty requires this oil type to be used. The oil should be changed after 5000 operating hours (at least once per year). The oil change must not be carried out during operation. No other maintenance work is required.

Oil quantities FMRV + FDL:

Drive:	Quantity (ltr):	Type:
FMRV030	0,05	BP Energol SG-XP320
FMRV040	0,1	BP Energol SG-XP320
FMRV050	0,15	BP Energol SG-XP320
FDL018	0,13 (aber in vertikal mit Wellenende nach unten: 0,2)	BP Autran DX
FDL037	0,15 (aber in vertikal mit Wellenende nach unten: 0,25)	BP Energol SG-XP320

Parts Book

BOXER II



Prins Maasdijk

INDEX

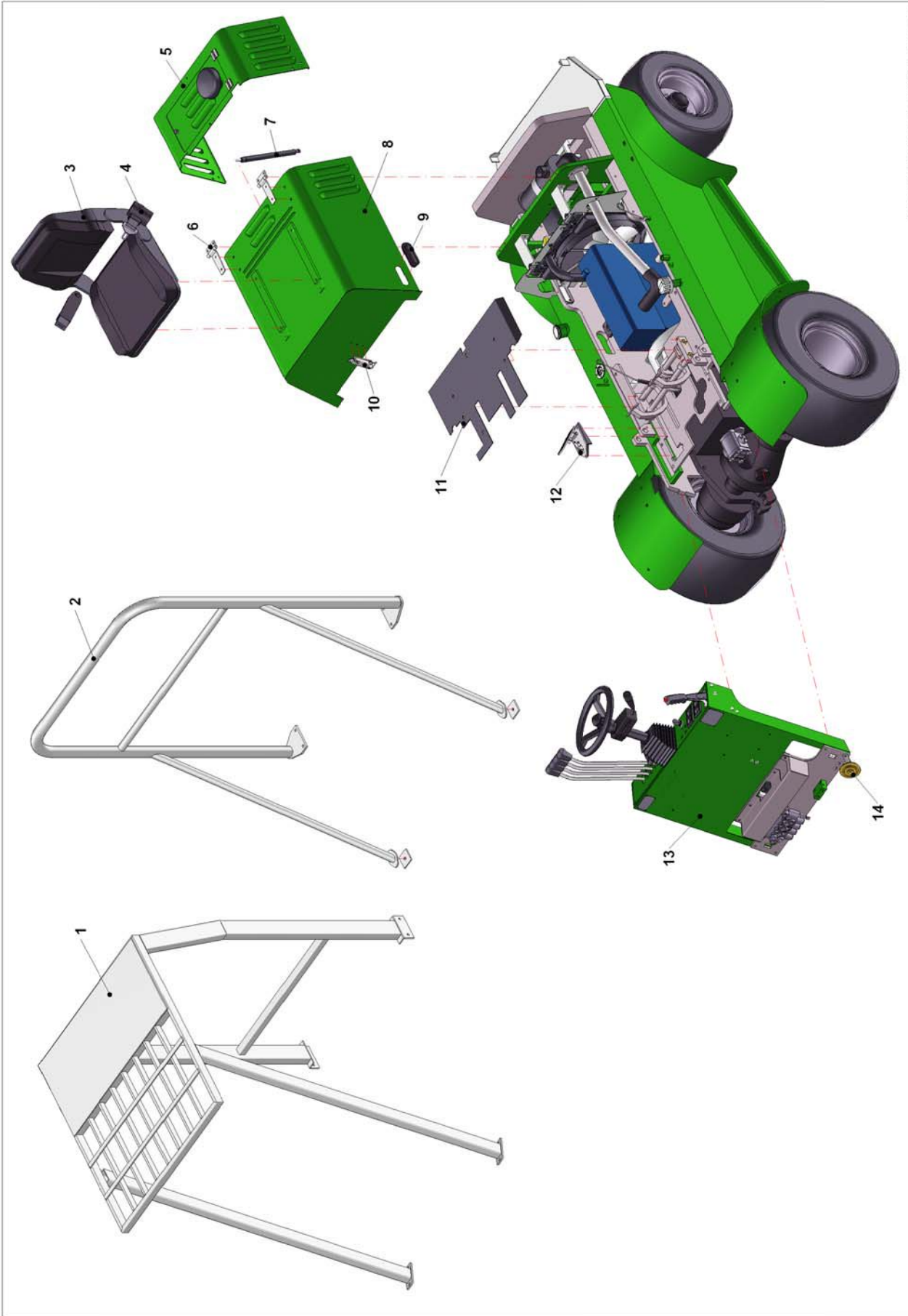
	<i>Page</i>
REMARKS	3
1 - OUTER PANEL	5
2 - MOUNTING POWER UNIT	7
3 - POWER UNIT COMPLETE.....	9
4 - EXHAUST SYSTEM INLET	11
5 - EXHAUST SYSTEM OUTLET	13
6 - FUEL SYSTEM	15
7 - GAS CONNECTION.....	17
8 - PEDAL SET.....	19
9 - BRAKE PIPING	21
10 - DASHBOARD	23
11 - PARKING BRAKE	25
12 - MAST	27
13 - SIDE-SHIFT	29
14 - MOUNTING STEERING AXLE AND COUNTERWEIGHT	31
15 - STEERING AXLE	33
16 - WHEELS AND RIMS	35
17 - HYDRAULICS HYDRO PUMP LIFTING.....	37
18 - HYDRAULICS HYDRO PUMP KUBOTA	39
19 - HYDRAULICS LIFTING	41
20 - HYDRAULICS TILTING.....	43
21 - HYDRAULICS STEERING CYLINDER.....	45
22 - HYDRAULICS STEERING VALVE / VALVE BLOCK	47
23 - ACCUMULATOR (OPTION).....	49
24 - ILLUMINATION (OPTION) & MAIN CABLING	51
25 - BRAKES	53

REMARKS

- If you want to order some parts please use this parts book.
- You must always mention the serial number of the truck which you can find on the identification label on the dashboard.
- Please mention the right parts number and description.
- Some parts are only available in assembly and have no parts number.
- This parts book can be changed without any information.

Prins Mechanisatie
Tuindersweg 37
2676 BD Maasdijk
Holland

Edition May, 2008

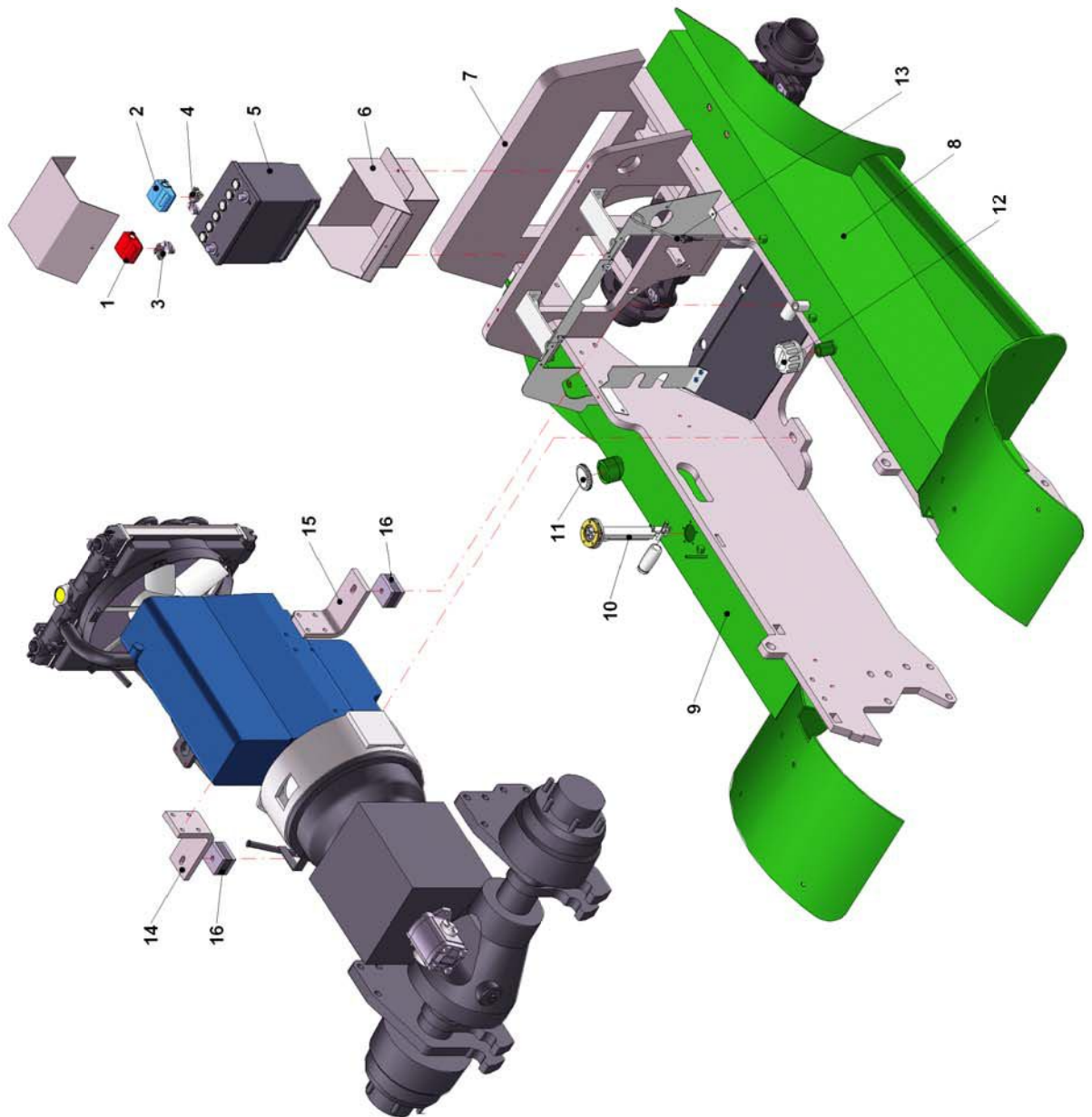


1\Boxer2\ONDERDELENBOEK\PLAATWERK_SZA



1 - OUTER PANEL

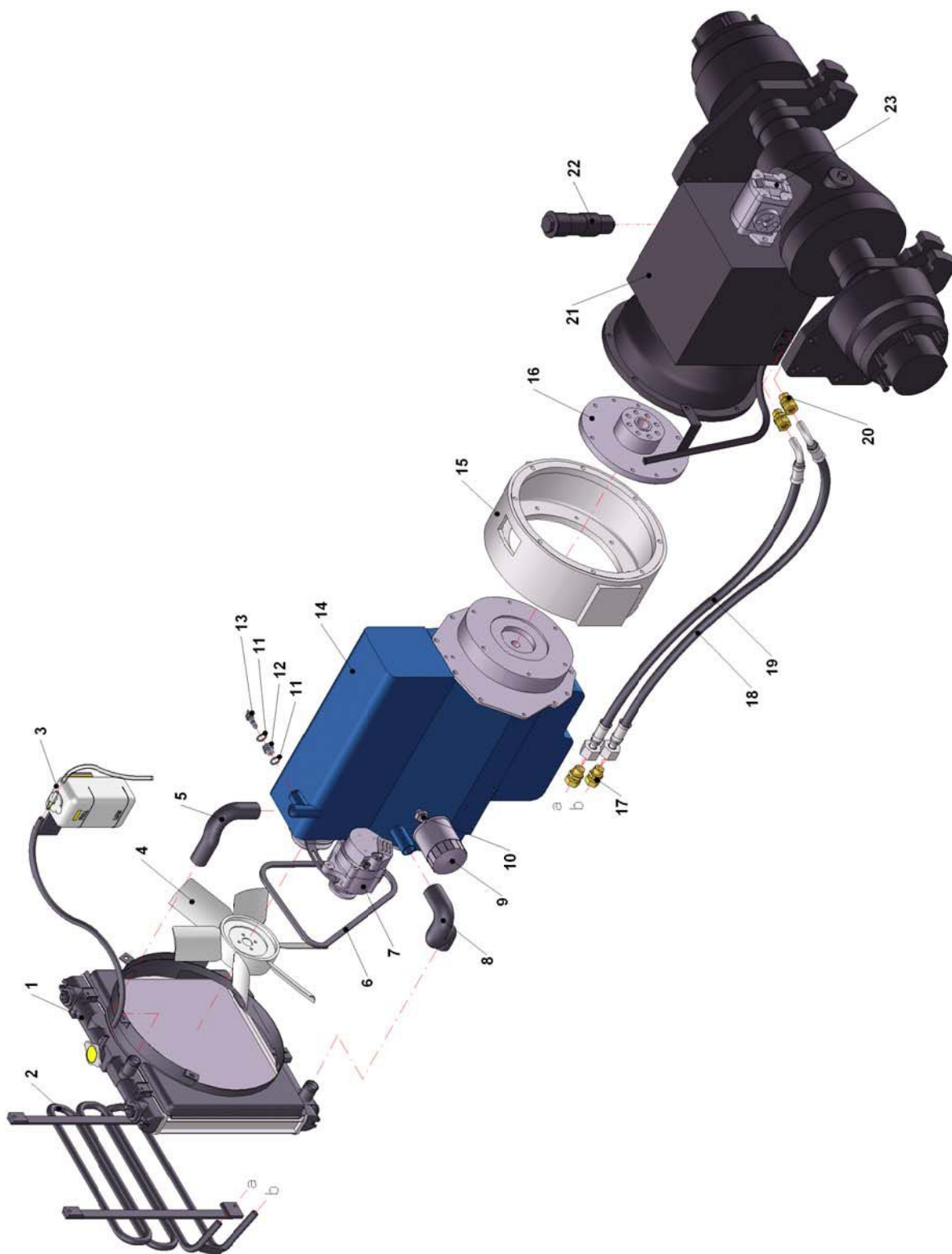
Pos.no.	Quantity	Description	Parts number
1	1	Safety guard	P80.1010
2	1	Safety bracket	P80.10151
3	1	Chair GS12 HT	P12.0109
4	1	Safety belt	P12.0615
5	1	Rear bonnet	P80.3001
6	2	Bonnet hinge	P80.1669
7	1	Bonnet damper	K3BA-50-41160
8	1	Bonnet	P80.4001
9	2	Bonnet grip	PA.150120
10	1	Bonnet lock	P12.0524
11	1	Base plate	P80.0092
12	1	Gas pedal	P12.220012
13	1	Dashboard	P80.600
14	1	Horn	P01.0191



\\Boxer2\ONDERDELENBOEK\MONTAGE-AANWIJZING_SZA

**2 - MOUNTING POWER UNIT**

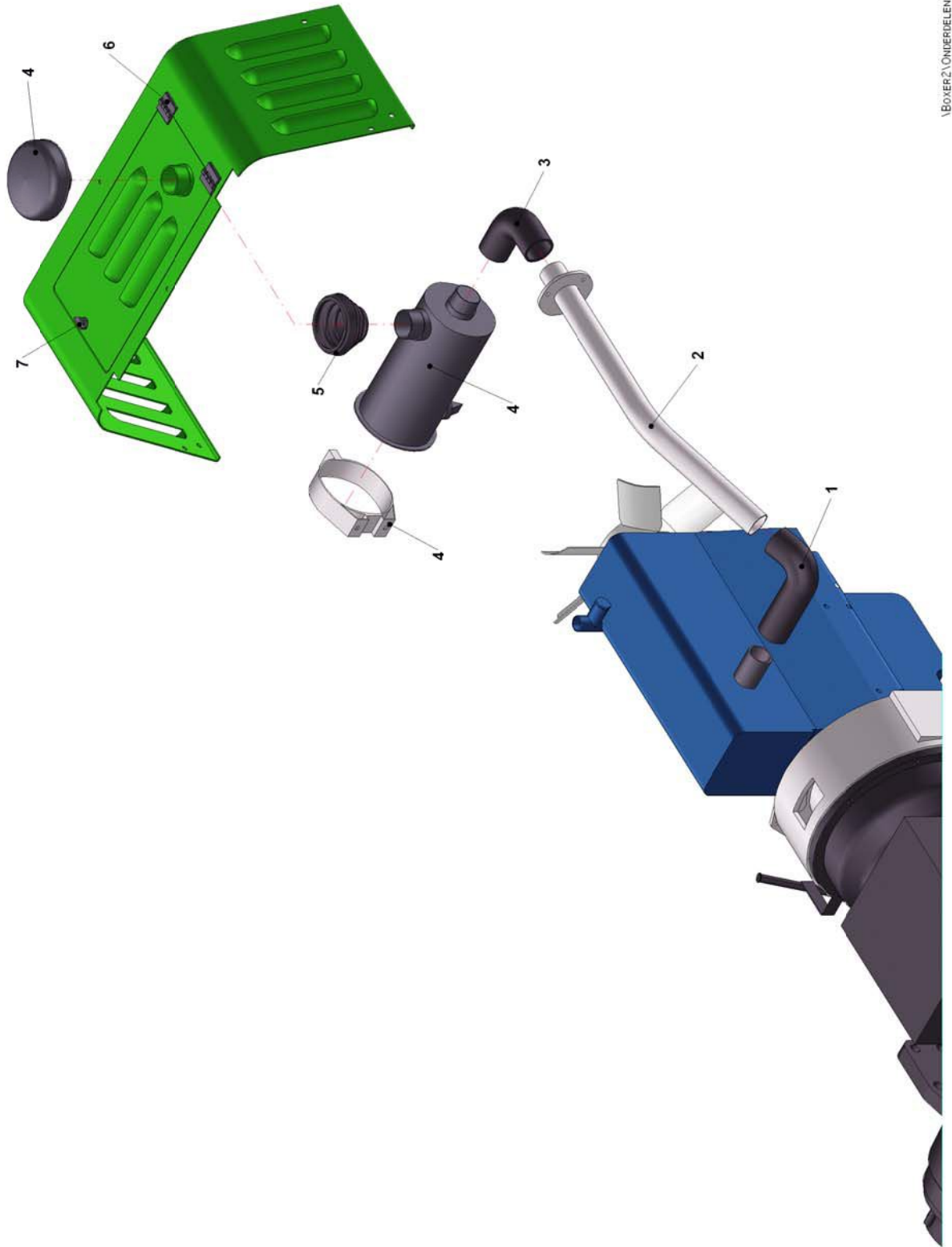
Pos.no.	Quantity	Description	Parts number
1	1	Cap battery clamp	P01.0058
2	1	Cap battery clamp	P01.0059
3	1	Battery clamp pos.	P01.0017
4	1	Battery clamp neg.	P01.0017.1
5	1	Battery	P01.54577
6	1	Battery carrier	P80.00381
7	1	Frame assembly Boxer II	P80.1000
8a	1	Hydraulic tank Boxer II small wheels	P80.2000
8b	1	Hydraulic tank Boxer II big wheels	P80.2001
9a	1	Fuel tank Boxer II small wheels	P80.1002
9b	1	Fuel tank Boxer II big wheels	P80.1001
10	1	Tank float VDO	P01.0007
11	1	Cap fuel tank B40	P12.0021
12	1	Cap hydraulic tank	P02.0153
13	1	Gauge oil level	19077.3641.0
14	1	Engine support outlet side	P80.00551
15	1	Engine support inlet side	P80.00561
16	2	Mounting rubber	P10.0012



\\Bover2\Onderdelenboek\Aandrijfuniteit-Koeling.sza

3 - POWER UNIT COMPLETE

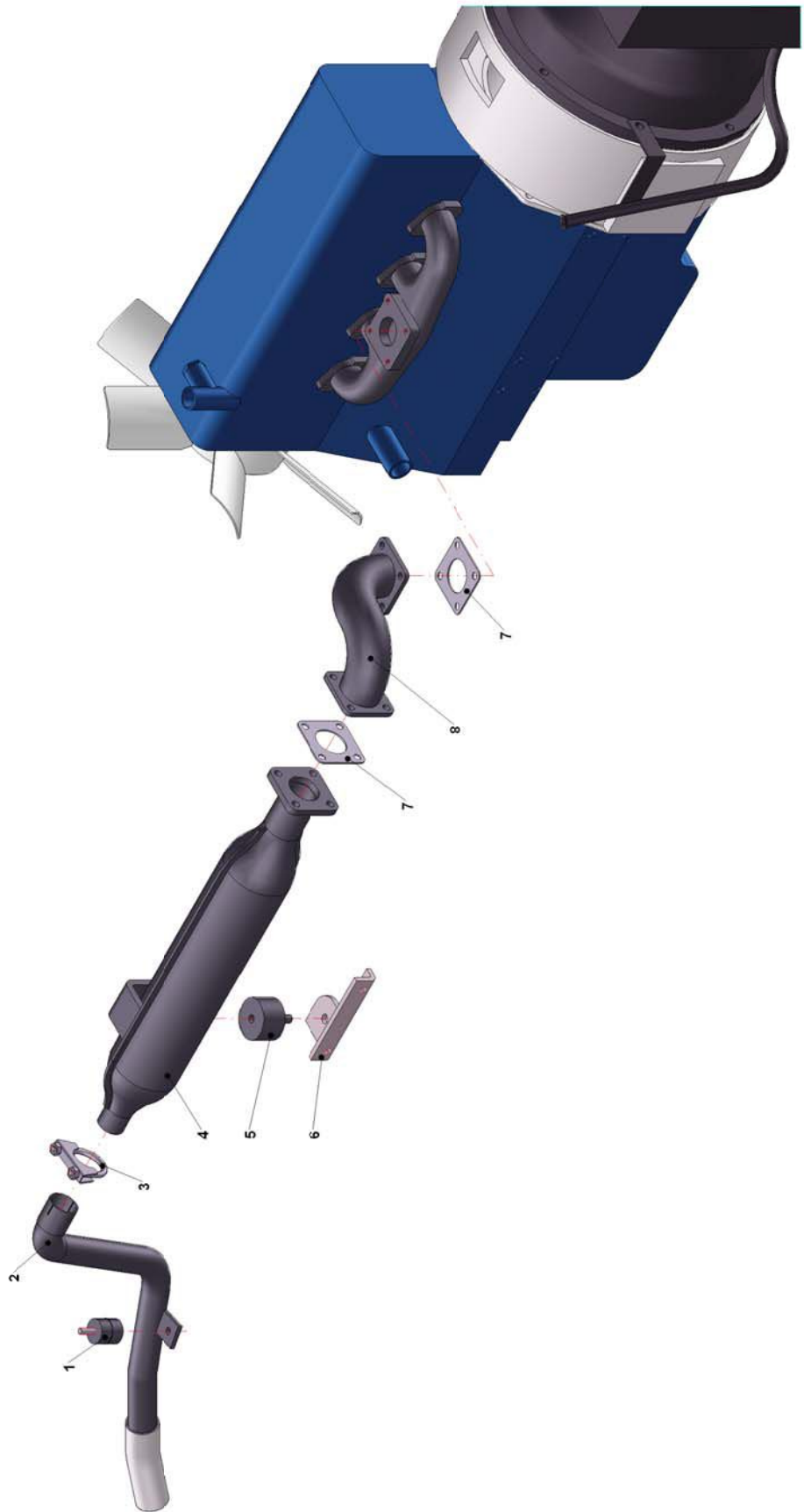
Pos.no.	Quantity	Description	Parts number
1	1	Radiator	K483
2	1	Transmission cooler	P80.00001
3	1	Expansion tank	K294
4	1	Pushing fan	16299.7411.0
5	1	Upper water hose	1K522.7294.1
6	1	V-belt	16282.9701.0
7a	1	Dynamo 40A with bracket	K16286.64001
7b	1	Dynamo 60A with bracket	K16615.64001
8	1	Lower water hose	1K522.7285.1
9	1	Oil filter	16271.3209.0
10	1	Oil switch	15841.3901.0
11	2	Copper washer 16x22x1,5	P03.17.16.22
12	1	Adapter Temperature sender	P01.0601.5
13	1	Temperature sender	P01.0601
14	1	Engine Kubota V1505 BBS-EC-1	M.41505.0
15	1	Flywheel house V1505 / TXL-15	PA.100150
16	1	Flange	PA.12.3.3
17	2	Nipple 1/2-15	P2.110201000
18	1	Hydraulic hose 1 Transmission cooler - Transaxle	P80.701
19	1	Hydraulic hose 2 Transmission cooler - Transaxle	P80.702
20	2	Nipple GE15PL M22x1.5	GE15PLM22x1.5
21	1	Transaxle TXL-15	PA.100010
22	1	Oil filter Transaxle	G.3191403
23	1	Hydro pump 14.4cc	P80.0089





4 - EXHAUST SYSTEM INLET

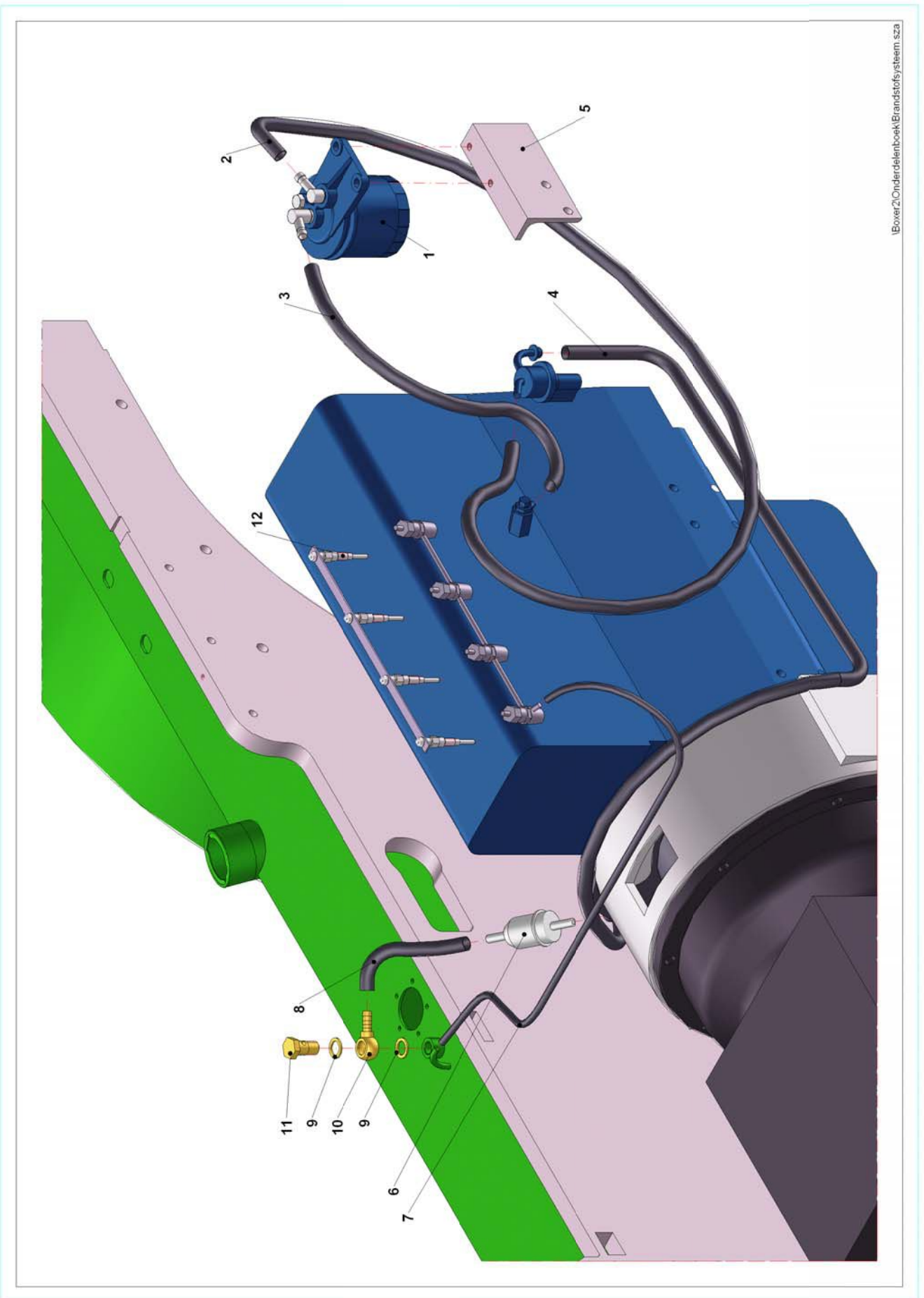
Pos.no.	Quantity	Description	Parts number
1	1	Pipe inlet manifold	P80.2082
2	1	Inlet pipe	P80.5101
3	1	Inlet pipe air cleaner	P80.2080
4	1	Air cleaner assembly	K16615.11001
5	1	Cover	V.103797
6	2	Hinge rear bonnet	P80.410
7	1	Clasp rear bonnet	P80.0800



\\Bover2\Onderdelenboek\Luchthuishouding-Uitgaand.sza

5 - EXHAUST SYSTEM OUTLET

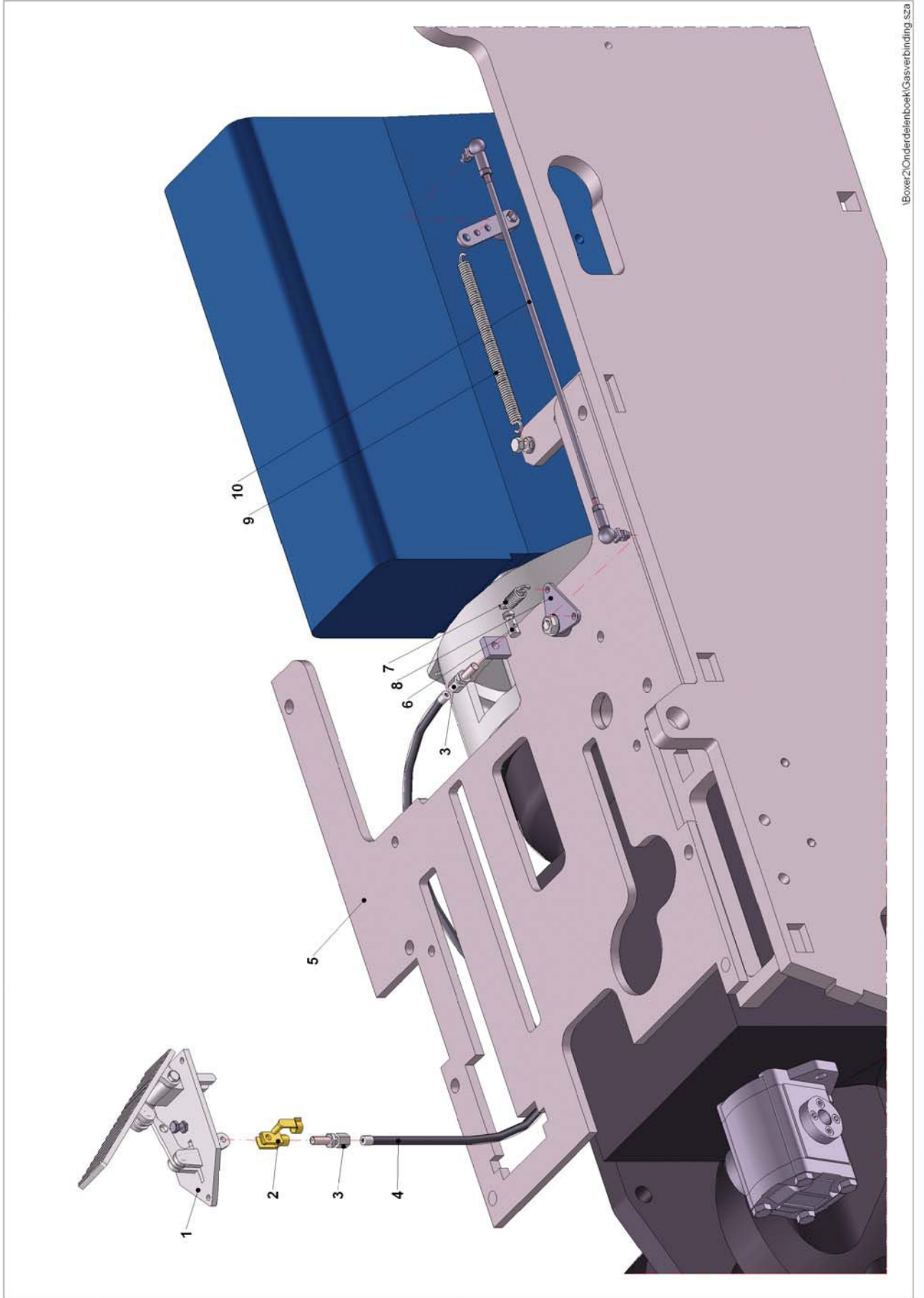
Pos.no.	Quantity	Description	Parts number
1	1	Mounting rubber	P10.0017.1
2	1	Muffler	P80.22001
3	1	Clamp 38mm	P12.0224
4	1	Muffler	P80.2202
5	1	Mounting rubber	P10.0012
6	1	Support muffler	P80.0067
7	2	Gasket muffler	15263.1237.0
8	1	Adapter muffler	P80.0039



lBover2/Onderdelenboek/Brandstofsysteem_sza

**6 - FUEL SYSTEM**

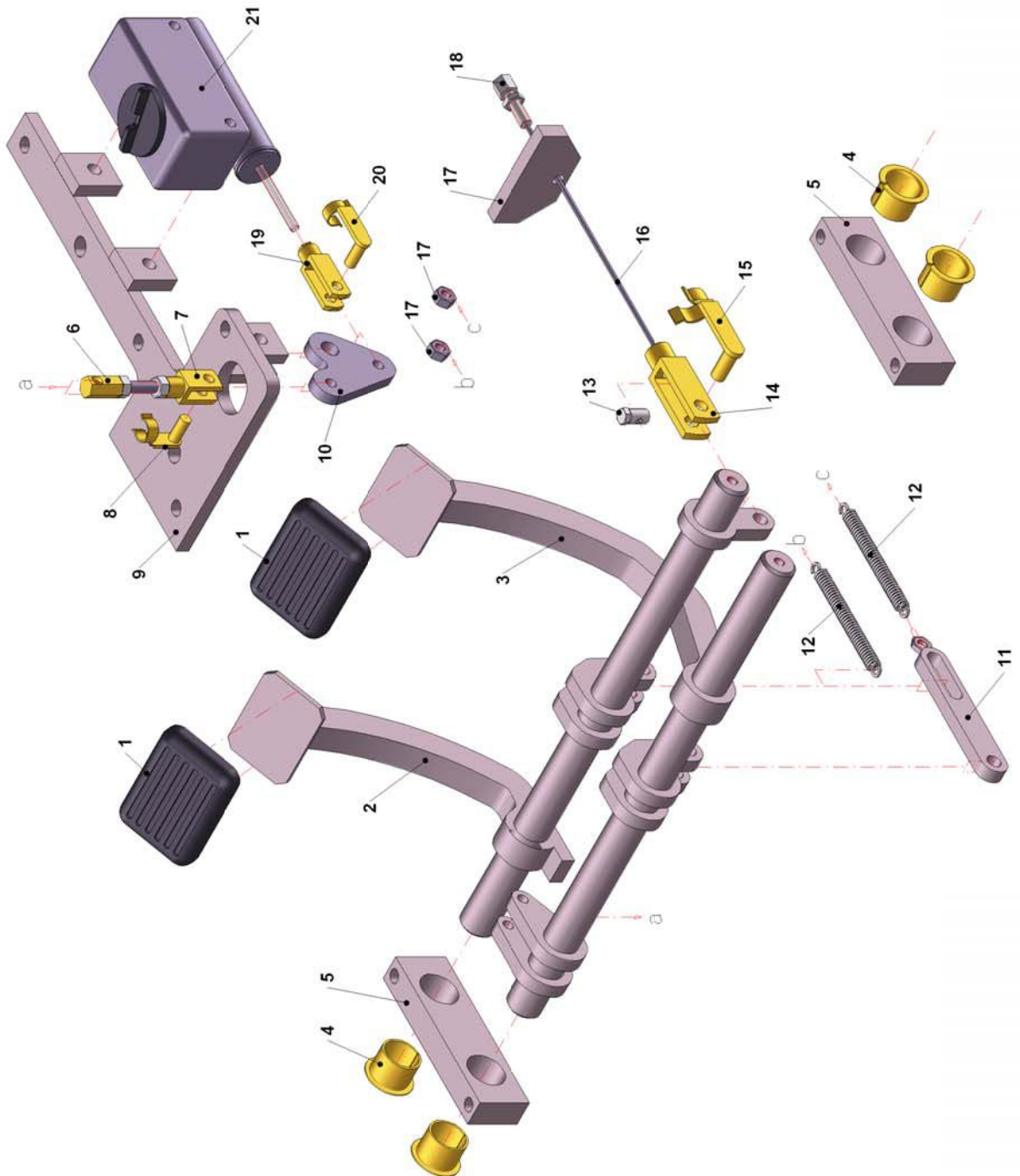
Pos.no.	Quantity	Description	Parts number
1	1	Fuel filter assy	16613.4300.0
2	1	Fuel pipe 8mm ins. l= 100mm	P12.0528
3	1	Fuel pipe 8mm ins. l= 55mm	P12.0528
4	1	Fuel pipe 8mm ins. l= 95mm	P12.0528
5	1	Support fuel filter	P80.00601
6	1	Fuel filter small FT-5167	P11.1030.1
7	1	Fuel pipe l= 60mm	19268.4252.0
8	1	Fuel pipe 8mm ins. l= 25mm	P12.0528
9	2	Copper washer 14x20x1,5	P12.0387
10	1	Banjo eye 1/4"	P2.102020404
11	1	Banjo bolt 1/4"	P2.226241200
12	4	Glow plug	16851.6551.0



I:\Boxer2\Onderdelenboek\Gasverbinding_sza

7 - GAS CONNECTION

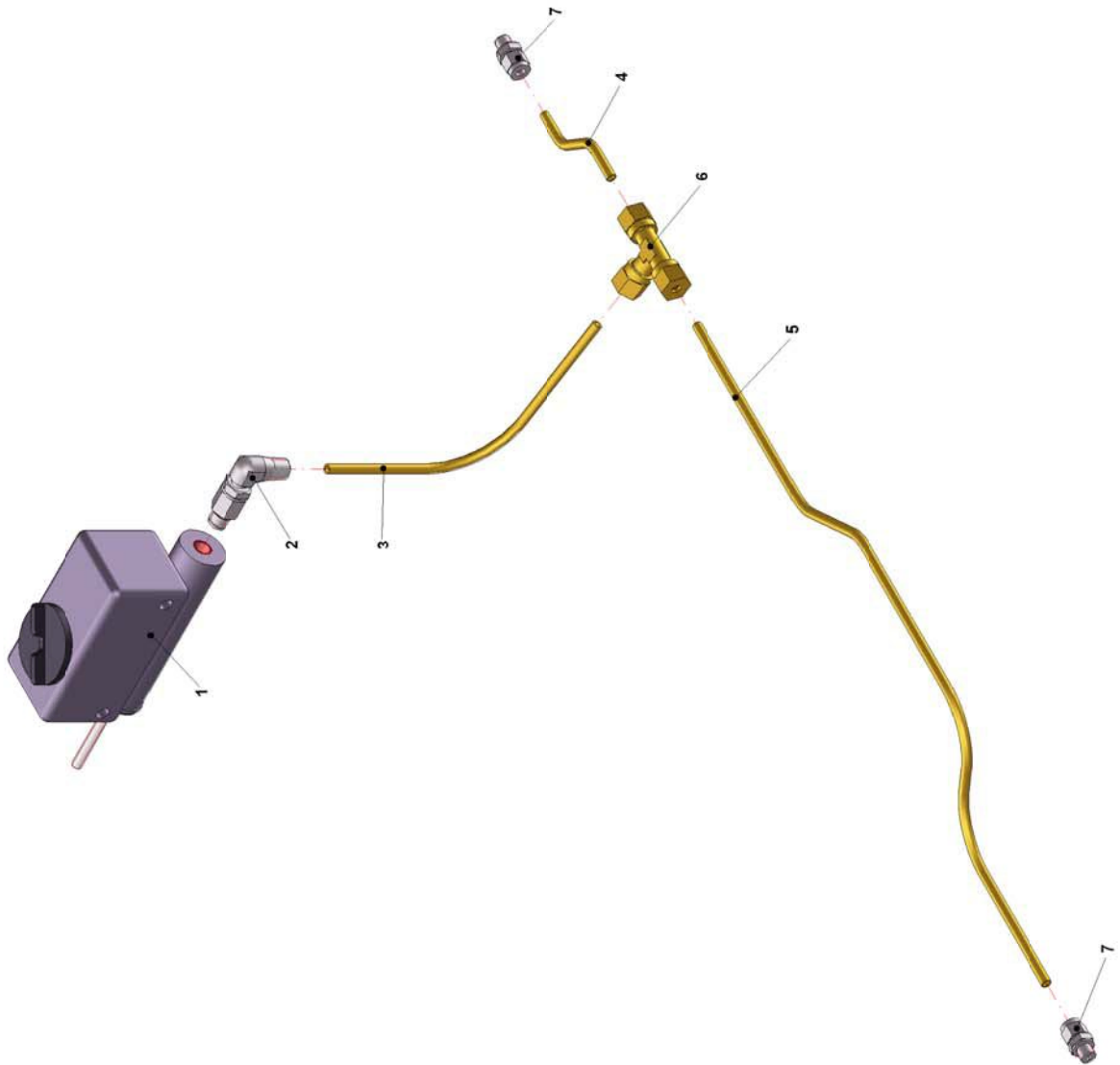
Pos.no.	Quantity	Description	Parts number
1	1	Gas pedal	P12.220012
2	1	Yoke M6 short	LA.570.0934
3	2	Adjust bolt	P12.10002
4a	1	Outer cable	P12.10050.1
4b	1	Inner cable	P12.10050.2
5	1	Floor plate	P80.0020
6	1	Cable socket	P12.0031
7	1	Spring	P12.0252
8	1	Gas siphon	P80.0109
9	1	Spring	P12.0850
10	1	Gas rod	P80.600.5



|Bover2|Onderdelenboek|Pedalenset|s.za

8 - PEDAL SET

Pos.no.	Quantity	Description	Parts number
1	2	Cover pedals	P12.50074
2	1	Inching pedal assy	P80.2065
3	1	Brake pedal assy	P80.2067
4	4	Plain bearing	P12.0098
5	2	Shaft block duo	P80.0013
6	1	Brake pin	P80.0088
7	1	Yoke M8 short	P12.220016
8	1	Yoke clip M8 short	P12.220018
9	1	Support Brake cylinder	P80.00101.1
10	1	Yoke brake cylinder	P80.0148
11	1	Shaft connection	P80.2069
12	2	Spring	P12.0119
13	1	Cable socket	P12.0031
14	1	Yoke M10 long	P12.220043
15	1	Yoke clip M10 long	P12.220043.1
16	1	Cable	P80.0087
17		Mounting points downside floor plate	
18	1	Adjust bolt	P12.10002
19	1	Yoke M6 long	P12.220019
20	1	Yoke clip M6 long	P12.220017
21	1	Master brake cylinder	P12.220060
22	2	Spacing bush brake cylinder	P80.0147

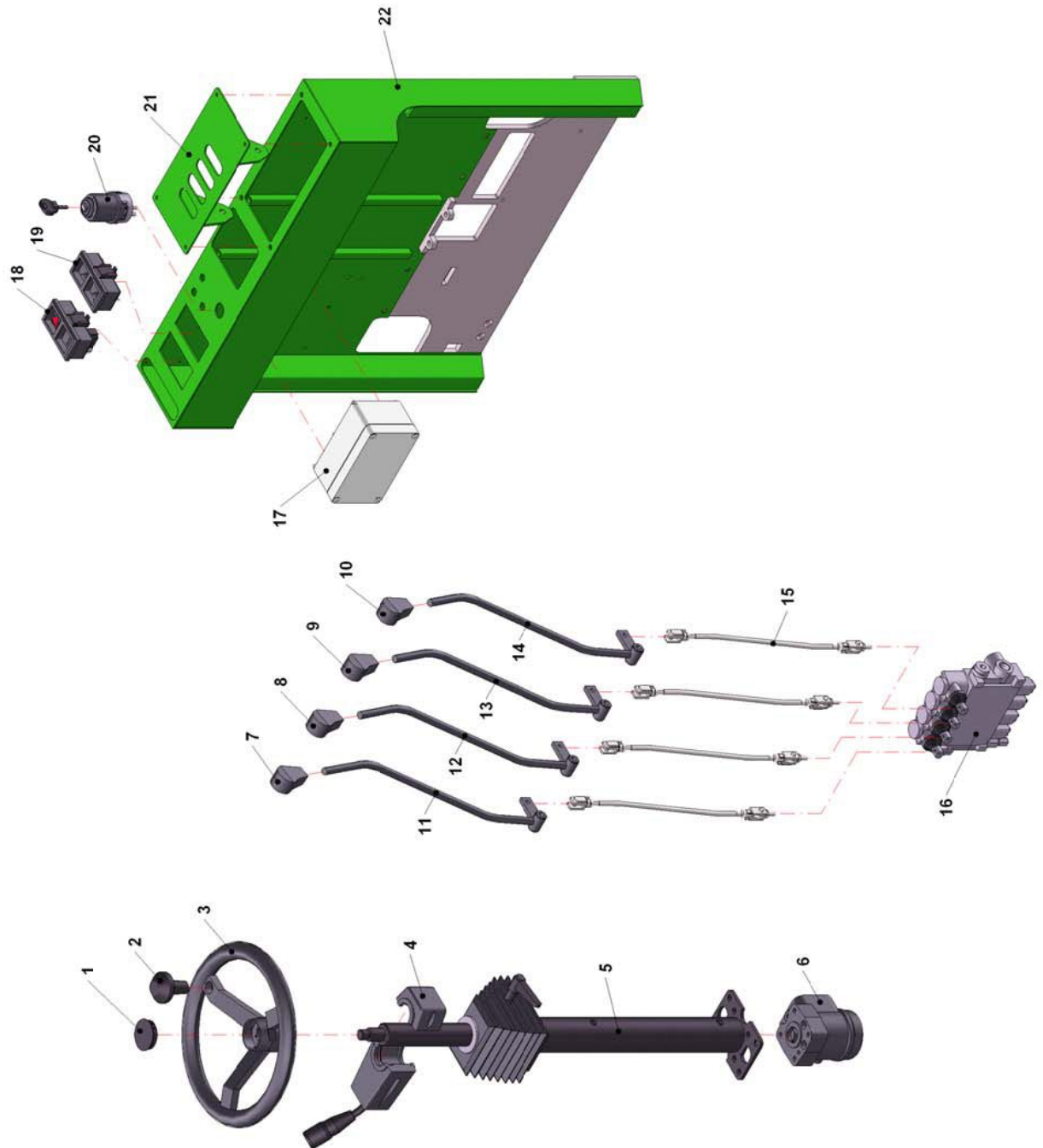


Boxer2OnderdelenboekRemleiding.sza



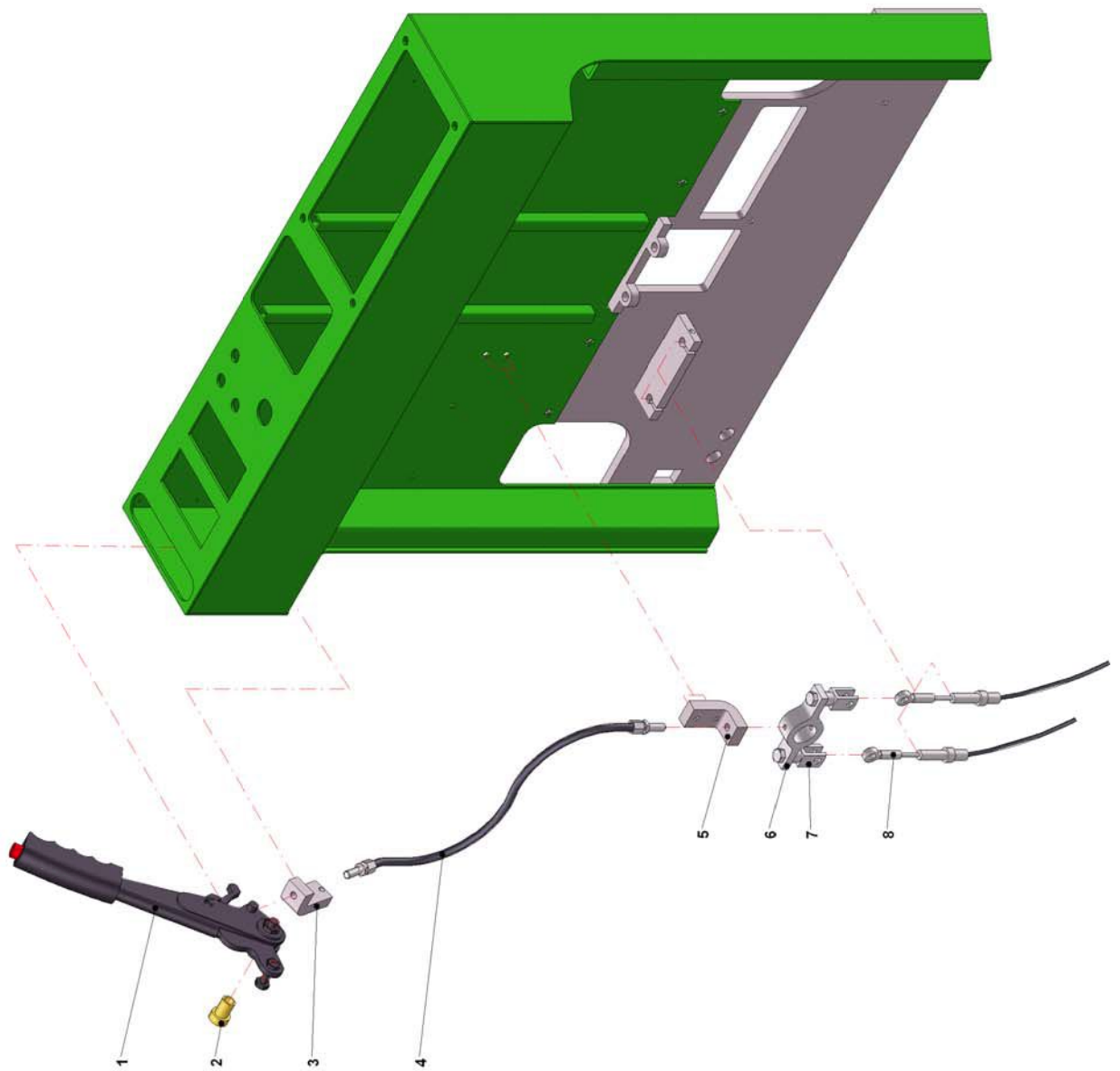
9 - BRAKE PIPING

<i>Pos.no.</i>	<i>Quantity</i>	<i>Description</i>	<i>Parts number</i>
1	1	Master brake cylinder	P12.220060
2	1	Nipple	P12.220060.10
3	1	Brake piping brake cylinder	P80.22081
4	1	Brake piping left	P80.22061
5	1	Brake piping right	P80.22071
6	1	T-connection 6mm	P2.134001000
7	2	Bleeder screw M10x1	PA.100360



10 - DASHBOARD

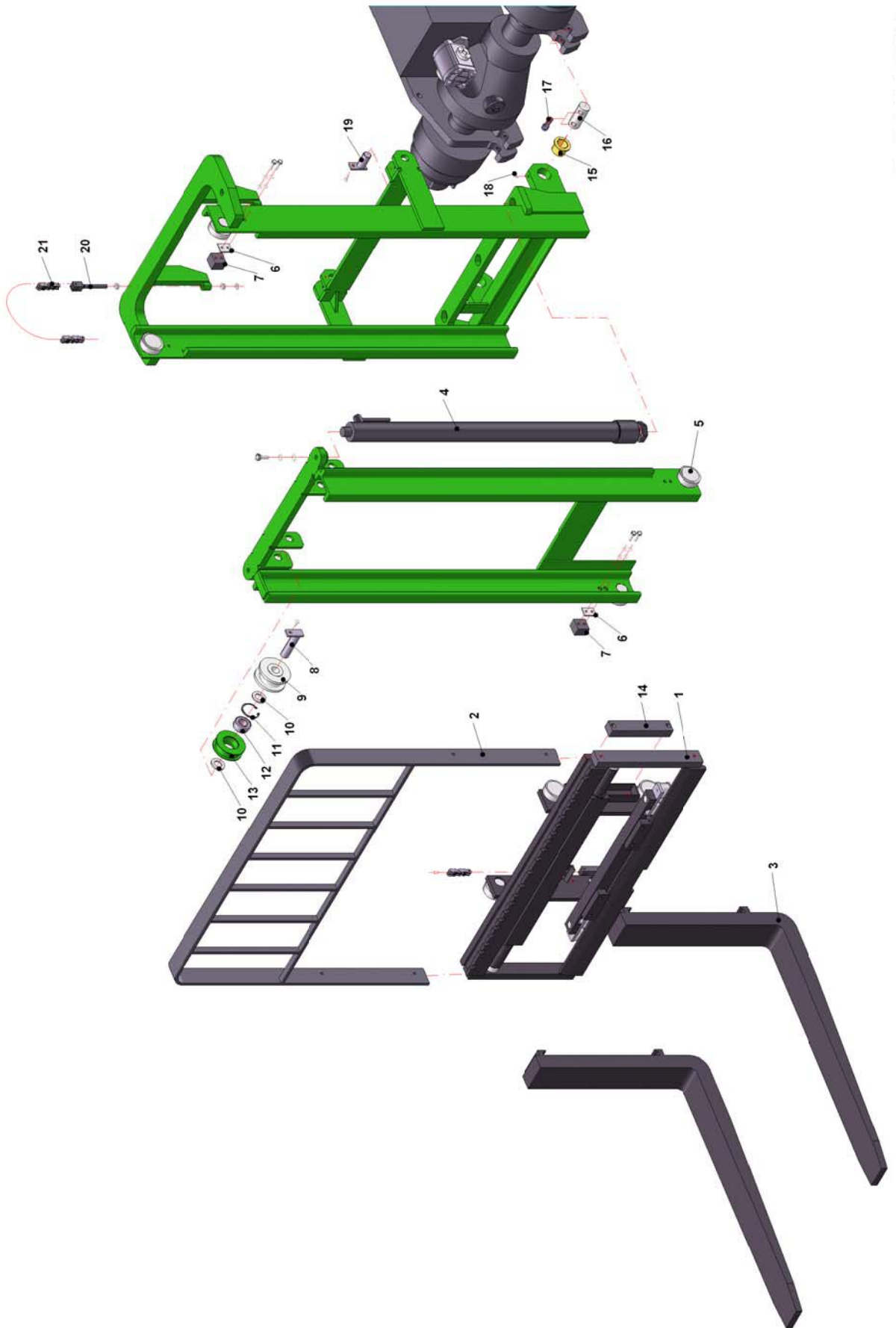
Pos.no.	Quantity	Description	Parts number
1	1	Cover steering wheel	P12.13031
2	1	Steering knob	P12.13030.1
3	1	Steering wheel	P12.13030
4	1	Forward / Reverse switch	P01.13027
5	1	Steering shaft	P02.2002
6	1	Power steering valve	P02.2009
7	1	Knob 'Lift'	PA.150122
8	1	Knob 'Tilt'	PA.150123
9	1	Knob 'Side-shift'	PA.150125
10	1	Knob 'Auxiliary'	PA.150124
11	1	Handle 'Lift'	P80.2096
12	1	Handle 'Tilt'	P80.2094
13	1	Handle 'Side-shift'	P80.2092
14	1	Handle 'Auxiliary'	P80.2090
15	4	Handle rod	P80.0017
16	1	Valve block	P02.2005
17	1	Fuse box	P80.6375065
18	1	Hour meter and dashes	P01.0602
19	1	Tank level and temperature gauge	P01.0600
20	1	Starter switch + key	K66706.55123
21	1	Handle support	P80.600.4
22	1	Dashboard	P80.600



1Boxer2\Onderdelenboek\Handrem.sza

11 - PARKING BRAKE

Pos.no.	Quantity	Description	Parts number
1	1	Parking brake	P12.220011
2	1	Filler bush parking brake	P12.50139
3	1	Cable support	P80.0063
4	1	Parking brake cable	P80.2085
5	1	Cable support	P80.0064
6	1	Bracket	P80.0016
7	2	Yoke M8 short	P12.220016
8	2	Brake cable TXL-15	G.3211303



IBoxer2/Onderdelenboek/Hefmast.sza

12 - MAST

Pos.no.	Quantity	Description	Parts number
1	1	Fork carriage + Side-shifter	P80.1050
2	1	Back rest	P80.1052
3	2	Fork l=1000 mm	V100x35x10002
	2	Fork l=1200 mm	V100x35x12002
	2	Fork l=1300 mm	V100x35x13002
4	2	Lift cylinder 1780mm (M36-nut)	P80.0080
	2	Lift cylinder 2800mm (M36-nut)	P80.0090
5	8	Mast bearing	P15.0032
6	4	Fill plate mast 8mm	P80.0122
7	4	Shim mast	P80.0048
8	4	Gliding block mast	PA.12.4.13
9a	1 / 2	Locking pin	P80.105
9b	1 / 2	Hydraulic hoses sheave	PA.12.4.5
10	2 / 4	Washer M24	P03.11.24.00
11	1 / 2	Cir-clip 52x2	P03.08.J52.00
12	1 / 2	Mast bearing 3205-2RS1	L.3205.2RS
13	1 / 2	Chains sheave	PA.12.4.4
14	2	Gliding block fork carriage	PA.100910
15	2	Plain bearing	PA.100800
16	2	Pin mast / frame	PA.12.4.9
17	4	Bolt M14x1,5x55	P03.04.14.55
18	2	Grease nipple M6	P03.00007
19	2	Locking pin tilt cylinder / mast	P80.107
20	2	Stopper BL544 complete	PA.100110.3
21	2	Lifting chain BL544	PA.100110.2



Boxer2 | Onderdelenboek | Side-shift.sza

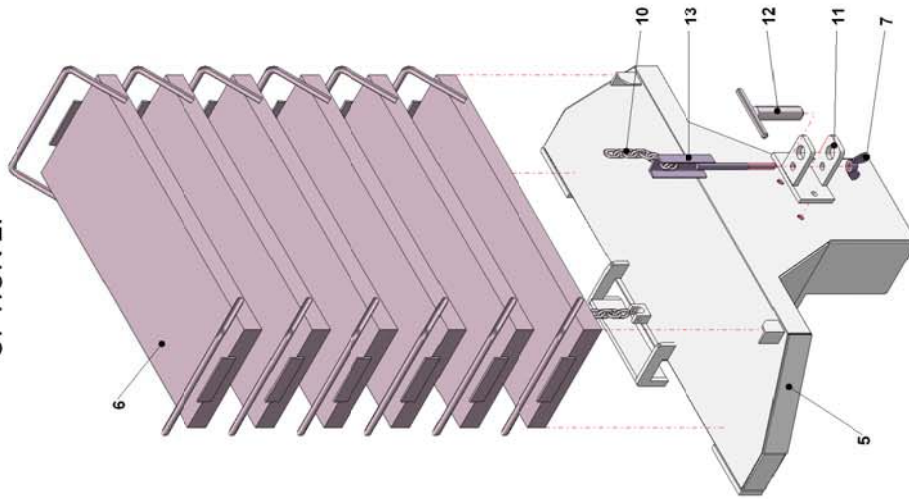
13 - SIDE-SHIFT

Pos.no.	Quantity	Description	Parts number
1	1	Mobile frame	101230056CBO
2	1	Fixed frame	101220436CBO
3	2	Upper pad	101230420CBO
4	2	Stake pad	101230421CBO
5	4	Greaser	P15.0032
6	2	Seal	47065007BO
7	2	Rod bushing	41041326BO
8	2	Scraper	101230003CBO
9	2	Cir clip	41041327BO
10	2	Rod	42038101BO
11	2	Boogie pin	101230004CBO
12	2	Greaser	101230035ZBO
13	2	Greaser	47065001BO
14	2	Upper boogie	47065006BO
15	2	Roller pin	101230030ZBO
16	4	Roller	101230029ZBO
17	4	Roller pin	40033053BO
18	2	Elastic pin	101230031ZBO
19	4	Upper hook	46063017BO
20	2	Screw	101230198CBO
21	4	Plate BL544	44046501BO
22	2	Mobile frame	PA.100110.1

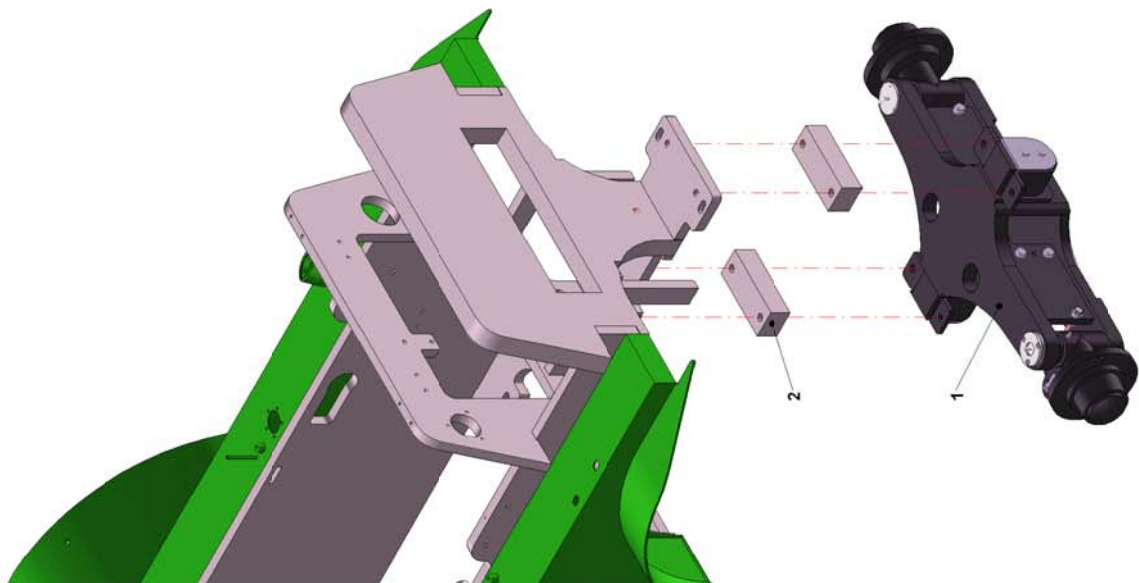
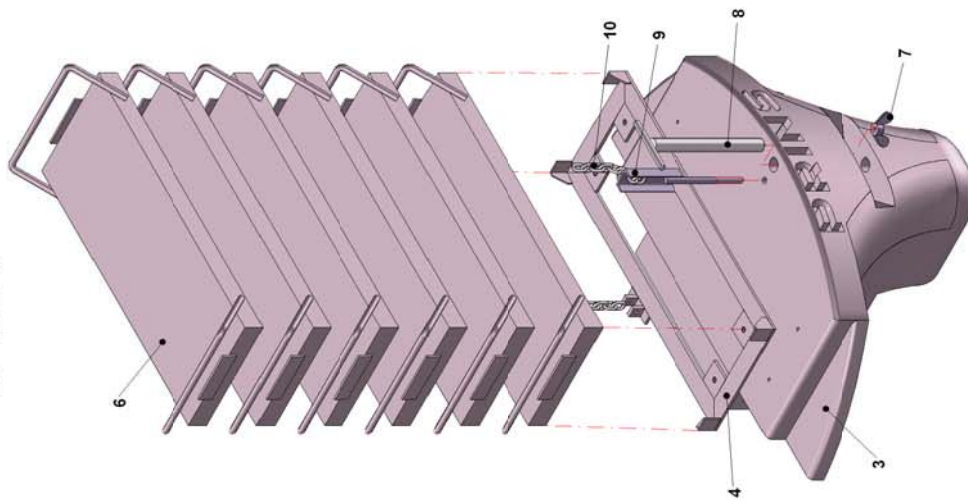
Pos.no.	Kit	Parts number
	Side-shift complete	P80.1050
12-19	RH Boogie	141230032CBO
12-19	LH Boogie	141230033CBO



OPTION 2:

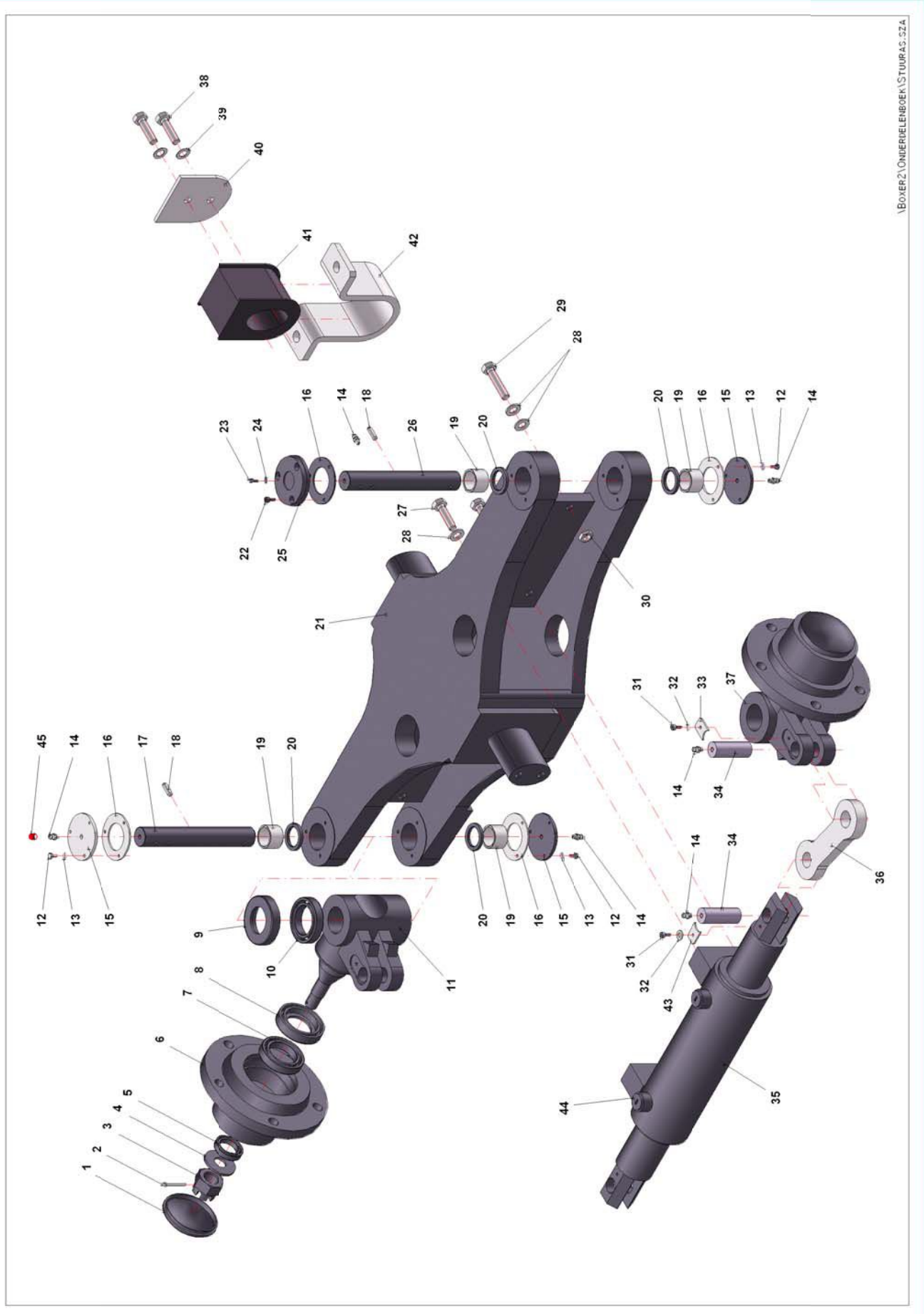


OPTION 1:



14 - MOUNTING STEERING AXLE AND COUNTERWEIGHT

Pos.no.	Quantity	Description	Parts number
1	1	Steering axle complete	P80.2002
2	2	Mounting block l= 45mm	P80.0097
<i>OPTION 1:</i>			
3	1	Counterweight massive	P80.12001
4	1	Ballast plate rack	P80.0018
<i>OPTION 2:</i>			
5	1	Dummy counterweight Boxer II 45 kg small wheels	P80.12002.1
	1	Dummy counterweight Boxer II 45 kg big wheels	P80.12001.1
6	~	Ballast plate 50 kg	P12.50047
7	1	Nut chain tensioner	P12.50051
8	1	Pin towing hook Counterweight	P80.12003
9	1	Chain tensioner Counterweight	P80.12003
10	1	Chain ballast plates	P12.0041
11	1	Towing hook	PA.12.7.5
12	1	Pin towing hook Dummy counterweight	P12.50202
13	1	Chain tensioner Dummy counterweight	P12.50050

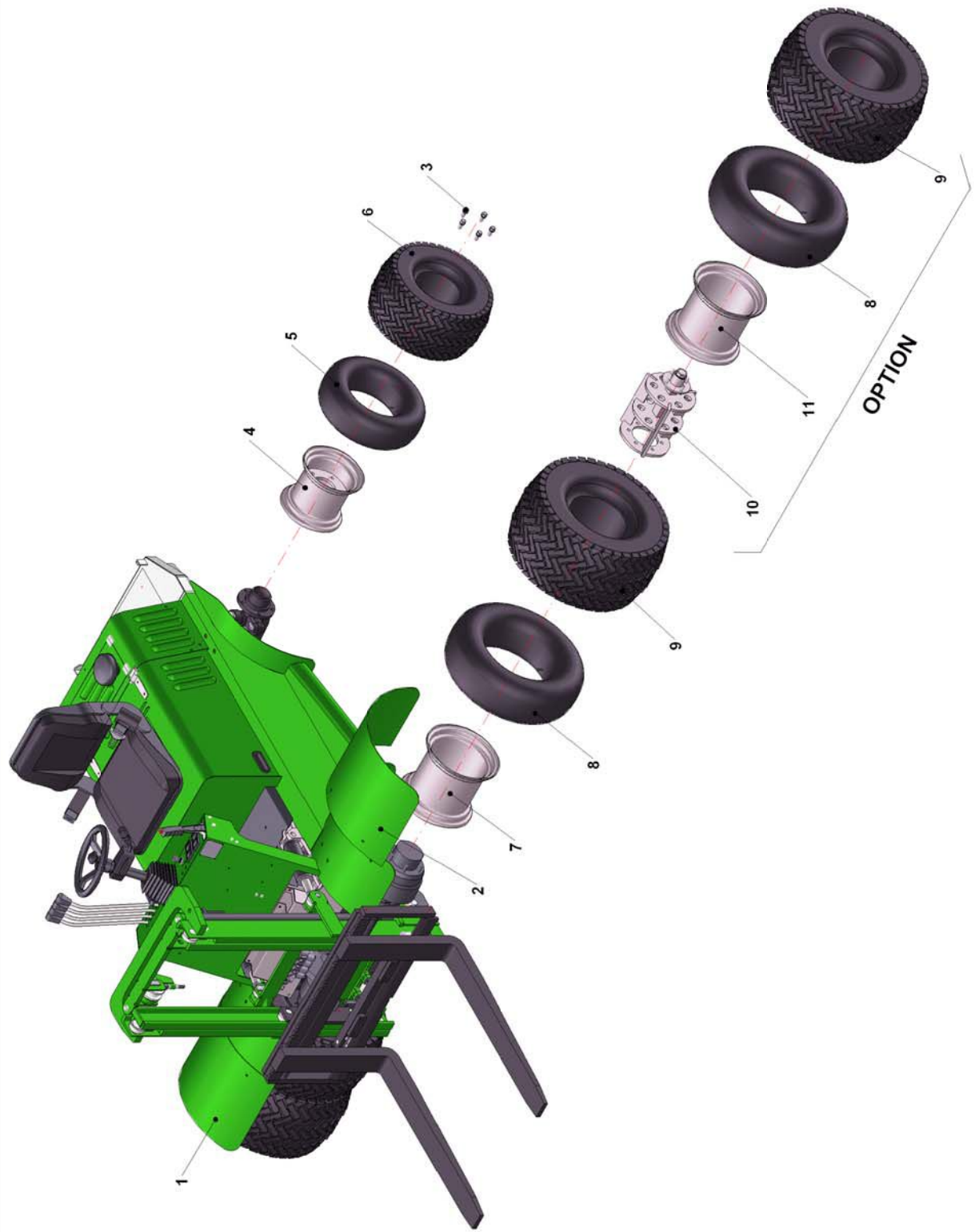


\\Boxer2\onderdelenboek\STUIPAS.SZA

15 - STEERING AXLE

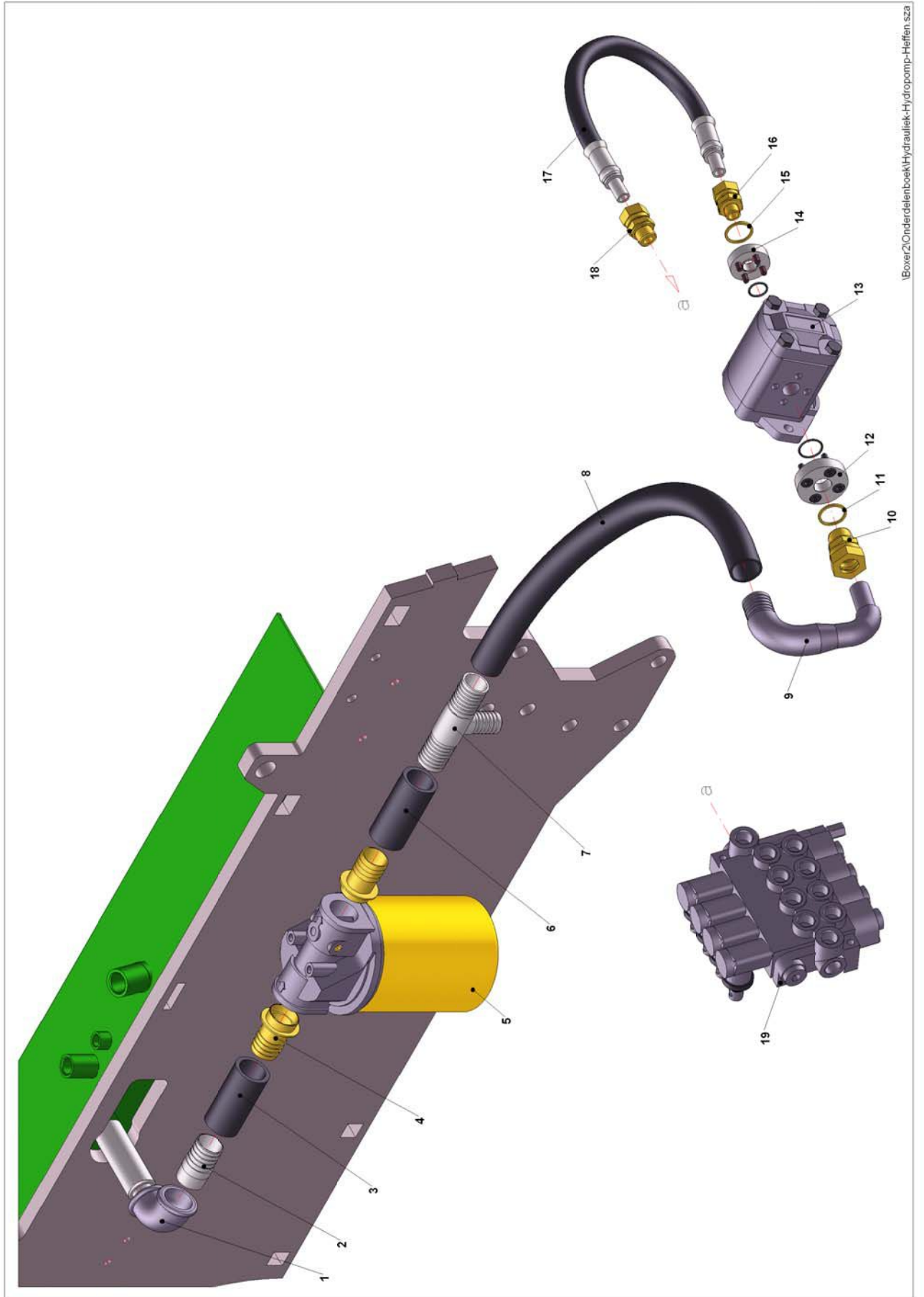
Pos.no.	Quantity	Description	Parts number
1	2	Cap	P80.2020
2	2	Cotter pin	P80.2021
3	2	Nut M24x2	P80.2022
4	2	Washer	P80.2023
5	2	Bearing	P80.2024
6	2	Hub	P80.2025
7	2	Bearing	P80.2026
8	2	Throw ring	P80.2027
9	2	Dust cap	P80.2028
10	2	Bearing	P80.2029
11	1	Stub axle left	P80.2030
12	9	Screw M5x16	P80.2031
13	9	Washer	P80.2032
14	6	Grease nipple M6	P80.2033
15	3	Cap	P80.2034
16	4	Gasket	P80.2035
17	1	Swivel pin left	P80.2036
18	2	Pin	P80.2037
19	4	Bearing	P80.2038
20	4	Seal ring	P80.2039
21	1	Frame steering axle	P80.2040
22	3	Screw	P80.2041
23	1	Shaft	P80.2042
24	1	Nut M6	P80.2043
25	1	Support washer	P80.2044
26	1	Swivel pin right	P80.2045
27	4	Bolt M12x35	P80.2046
28	8	Washer M12	P80.2047
29	2	Bolt M12x50	P80.2048
30	2	Nut M12	P80.2049
31	4	Screw M6x14	P80.2050
32	4	Washer	P80.2051
33	2	Keeper plate swivel	P80.2052
34	2	Pin steering cylinder	P80.2053
35	1	Steering cylinder	P80.2054
36	2	Connection rod swivel	P80.2055
37	1	Swivel right	P80.2056
38	4	Bolt M10x25	P80.2057
39	4	Washer	P80.2058
40	2	Keeper plate rubber	P80.2059
41	2	Damper steering axle	P80.2060
42	2	Support damper	P80.2061
43	2	Keeper plate cylinder	P80.2062
44	2	Plug	P80.2063
45	6	Cap greaser	P80.2064

Pos.no.	Kit	Parts number
1-44	Steering axle complete	P80.2002
38-42	Tilt axle kit steering axle	P80.2100
30-31; 35; 44	Cylinder kit steering axle	P80.2300
2-4; 9-11; 17-18	Swivel left complete	P80.2400
2-4; 9-10; 14; 18; 23-24; 26; 37	Swivel right complete	P80.2500
1; 5-8	P80.2600	P80.2600
14; 31-34; 36; 43	Connecting rod kit	P80.2700



**16 - WHEELS AND RIMS**

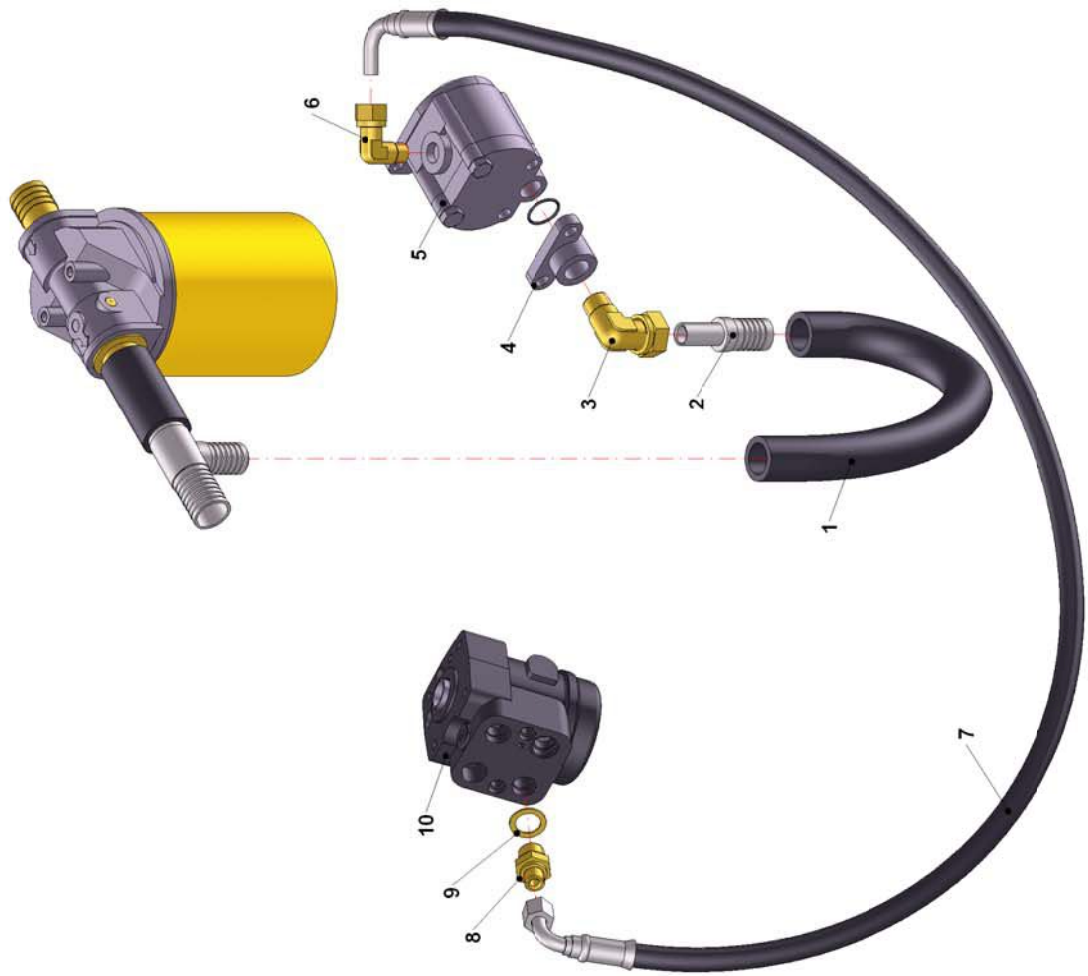
Pos.no.	Quantity	Description	Parts number
1	1	Front screen Double-tyre left	P80.8001
2	1	Front screen Double-tyre right	P80.7001
3	10	Wheel bolt	P80.1060.5
<i>OPTION 1 – SMALL WHEELS:</i>			
4/5/6	2	Rear wheel 20/10-10 assy	P80.1060
4	2	Rear rim 20/10-10	P80.1060.1
5	2	Rear tube 20/10-10	P04.11010
6	2	Rear tire 20/10-10	P04.02010
7	2 / 4	Front rim 26/12-12	P04.31302
8	2 / 4	Front tube 23/12,5-12	P04.01212.8
9	2 / 4	Front tire 23/12,5-12	P04.01212
<i>OPTION 2 – BIG WHEELS:</i>			
4/5/6	2	Rear wheel 24x13,00-12 assy	PE.0051
4	2	Rear rim	PE.0035
5	2	Rear tube 23/12,5-12	P04.01212.8
6	2	Rear tire 24x13,00-12	P04.01213
7/8/9	2/4	Front rim 295/50/15 assy	PA.100024
7	2 / 4	Inner Front rim	PA.100034
9	2 / 4	Front tire 23/12,5-12	P04.01214
<i>OPTION – DOUBLE-TYRE:</i>			
10	2	Semi-Neutral axle for Double-tyre (option)	P80.20651
11	2	Outer Front rim	PA.100035



IBoxer2OnderdelenboekHydrauliek-Hydropomp-Heffen.sza

**17 - HYDRAULICS HYDRO PUMP LIFTING**

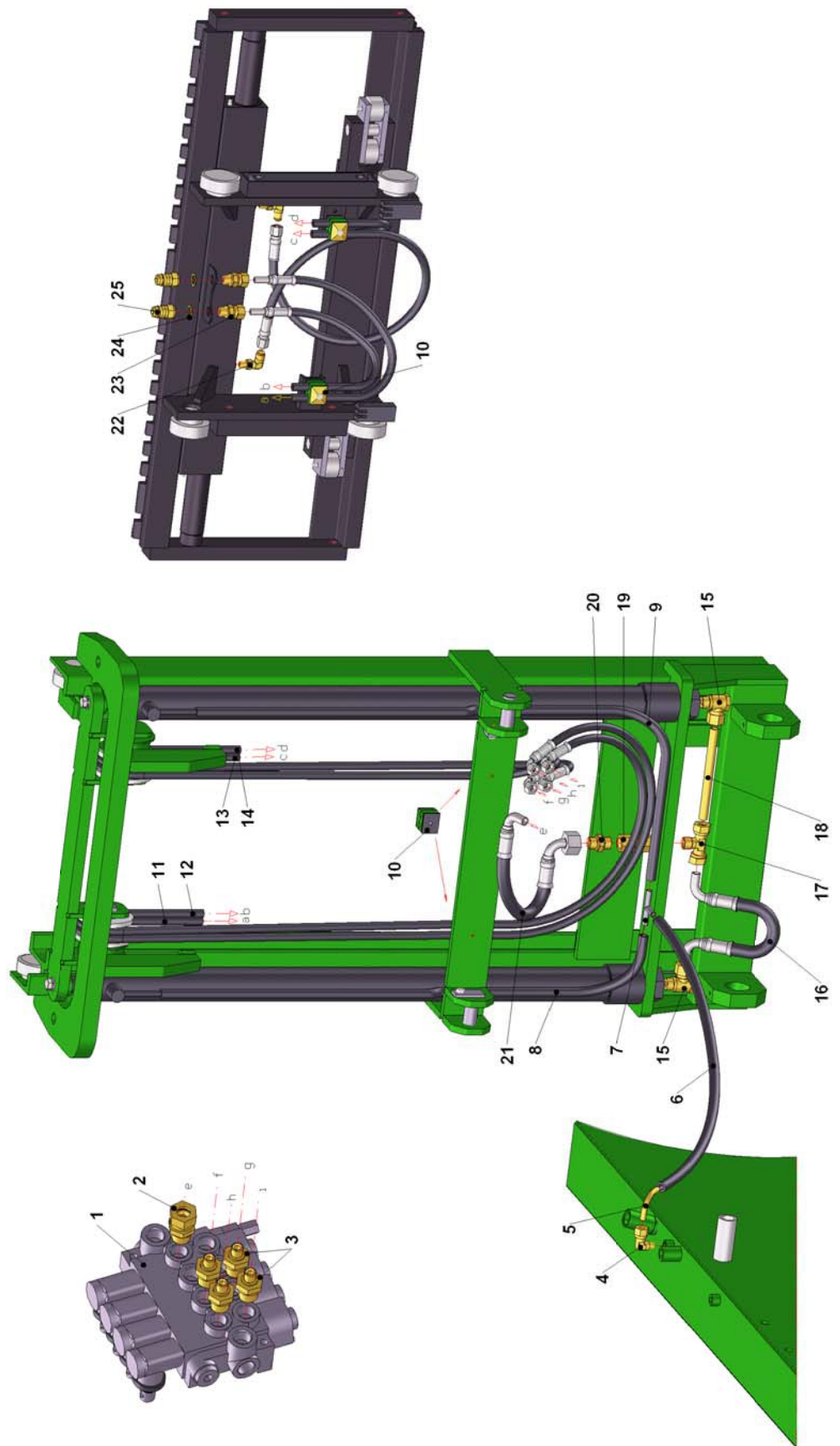
Pos.no.	Quantity	Description	Parts number
1	1	Elbow 1" inside-inside	P02.0160
2	1	Nipple	P80.202
3	1	Hose 31mm ins. l= 85mm	P2.051120
4	2	Brass hose pillar	6037380
5	1	Filter element	MPS100SP25KA
6	1	Hose 31mm ins. l= 90mm	P2.051120
7	1	T-connection	P80.2224
8	1	Hose 31mm ins. l= 60mm	P2.051120
9	1	Pump manifold	P80.2226
10	1	Nipple 1/2-22	GE22PLR1/2
11	1	Copper washer 22x28	P03.17.22.28
12	1	Flange Hydro pump 2DF08	PA.150104
13	1	Hydro pump 14.4CC (<i>other volumes on demand</i>)	P80.0089
14	1	Flange Hydro pump 1DF38	PA.150103
15	1	Copper washer 16x22	P03.17.16.22
16	1	Nipple 3/8-15	P2.110152000
17	1	Hydraulic hose Hydro pump – Valve block	P80.703
18	1	Nipple 1/2-15-90°	P2.116201000
19	1	Valve block	P02.2005



I:\Boxer2\Onderdelenboek\Hydrauliek-Hydropomp-Kubota.sza

**18 - HYDRAULICS HYDRO PUMP KUBOTA**

Pos.no.	Quantity	Description	Parts number
1	1	Hose 31mm ins. l= 550mm	P2.051120
2	1	Adapter steering pump	P80.2220
3	1	Nipple 1/2-18-90°	WE18PLR1/2
4	1	Flange Hydro pump	16678.8385.0
5	1	Hydro pump Kubota	K16286.83801
6	1	Nipple 3/8-12-90°	P2.116151000
7	1	Hydraulic hose Hydro pump Kubota – Steering valve	P80.704
8	1	Nipple 3/8-1/2	P2.224406080
9	1	Copper washer 21x26x1,5	P03.17.21.26
10	1	Steering valve	P02.2009



19 - HYDRAULICS LIFTING

Pos.no.	Quantity	Description	Parts number
1	1	Valve block	P02.2005
2	1	Nipple 1/2"-15	P2.110201000
3	4	Nipple 1/4-1/2	P2.224404080
4	1	Nipple 1/4"-10-90°	P2.116101000
5	1	Pipe tank return	P80.0065
6	1	Fuel pipe 10mm ins. l= 900mm	P12.0532
7	1	T-connection	P80.00040
8	1	Fuel pipe 10mm ins. l= 1550mm	P12.0532
9	1	Fuel pipe 10mm ins. l= 1750mm	P12.0532
10	4	Hose bracket complete Ø12 double	P2.330803000
11	1	Hydraulic hose 1 Valve block – Side-shift	P80.706
12	1	Hydraulic hose 2 Valve block – Side-shift	P80.707
13	1	Hydraulic hose 3 Valve block – Side-shift	P80.708
14	1	Hydraulic hose 4 Valve block – Side-shift	P80.709
15	2	Banjo	1153202007FL
16	1	Hydraulic hose Banjo – T-connection Lift cylinders	P02.05001
17	1	T-connection 15mm	P2.134201000
18	2	Hydraulic pipe lift cylinder	P02.0503
19	1	Safety valve	PA.12.9.9
20	1	Nipple 1/2-1/2	P2.224408080
21	1	Hydraulic hose Valve block – Lift cylinders	P80.705.2
22	2	Adapter 6-M14-C870-MXS	P2.26260614
23	2	Nipple 3/8"-10	P2.110121000
24	2	Copper washer 16,5x24	P02.5131
25	2	Coupling 3/8"	P2.940206000



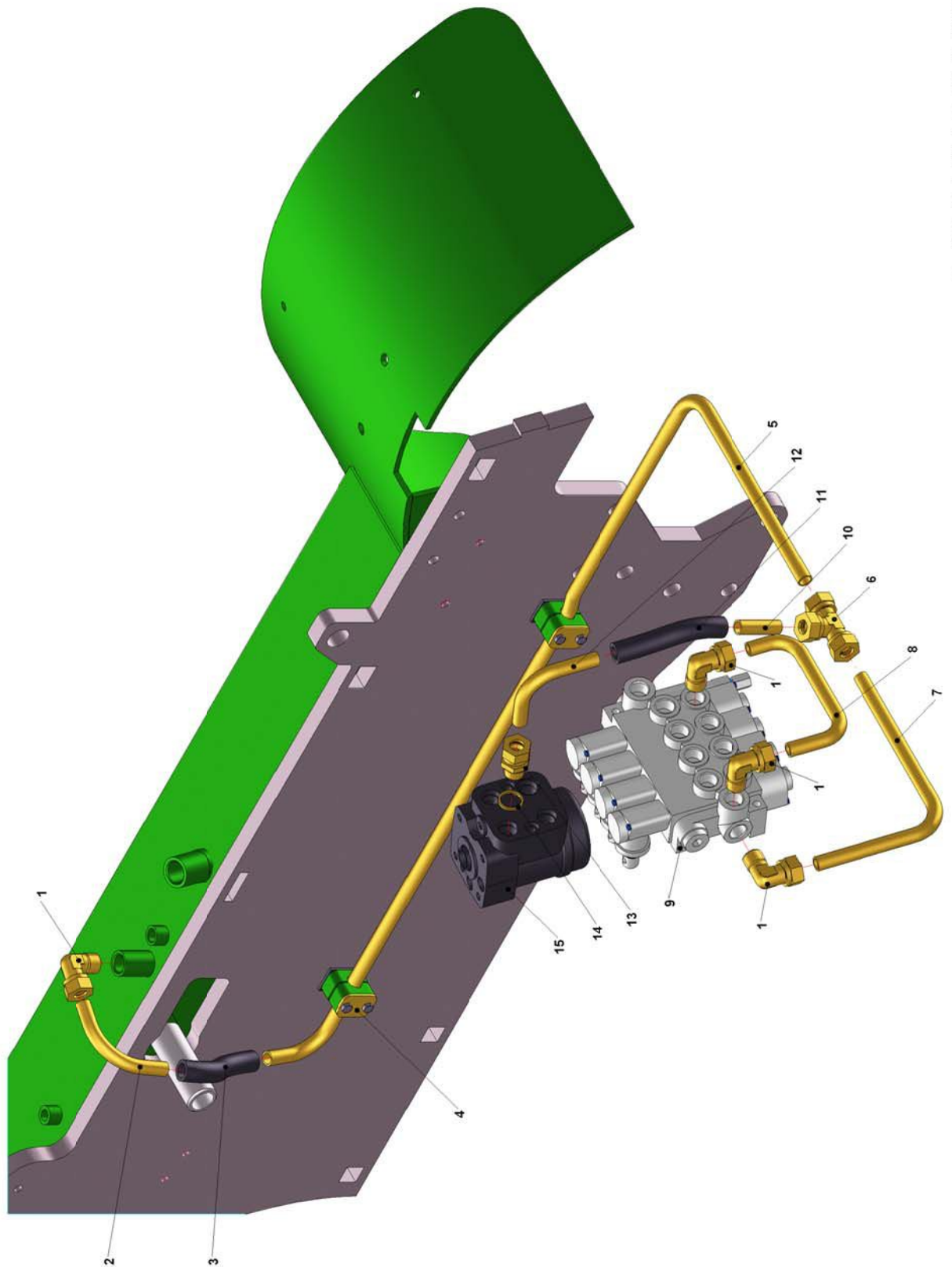
20 - HYDRAULICS TILTING

Pos.no.	Quantity	Description	Parts number
1	2	Tilt cylinder Boxer II complete	P80.2070
2	2	Locking pin Tilt cylinder – Frame	P80.106
3	12	Copper washer 14x20x1,5	P12.0387
4	11	Nipple 1/4-1/4	P2.224404040
5	1	Hydraulic hose Tilt cylinder right back	P80.710
6	1	Hydraulic hose Tilt cylinder right front	P80.711
7	1	Hydraulic hose Tilt cylinder left back	P80.714
8	1	Hydraulic hose Tilt cylinder lift front	P80.715
9	1	Valve block	P02.2005
10	1	Nipple 3/8-10-90°	P2.116121000
11	1	Hydraulic hose 1 Valve block – Adapter block	P80.713
12	1	Flow control valve	P02.220009.1
13	1	Knee 1/4" inside-outside	P2.865704040
14	1	Adapter block	P80.0045
15	1	Hydraulic hose 2 Valve block – Adapter block	P80.726
16	1	Nipple 1/4-1/2	P2.224404080
17	1	Copper washer 21x26x1,5	P03.17.21.26



**21 - HYDRAULICS STEERING CYLINDER**

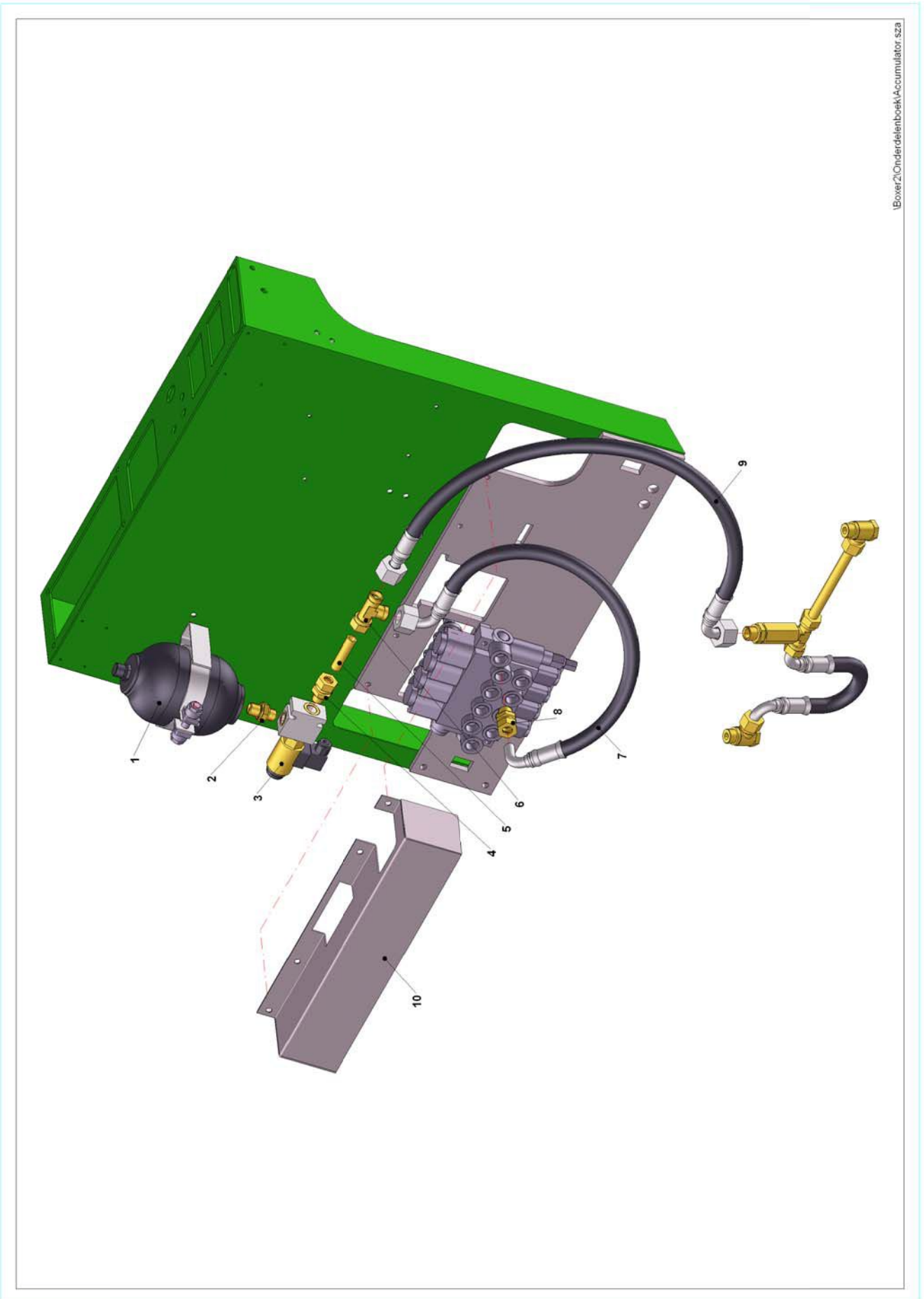
Pos.no.	Quantity	Description	Parts number
1	1	Steering cylinder	P80.2054
2	2	Copper washer 14x20x1,5	P12.0387
3	2	Nipple 1/4-1/4	P2.224404040
4	1	Hydraulic hose Steering cylinder right – Frame left	P80.716
5	1	Hydraulic hose Steering cylinder left – Frame right	P80.717
6	4	Coupling 10mm	P2.138101000
7	1	Steering pipe right	P80.2216
8	1	Steering pipe left	P80.2217
9	2	Hose bracket complete Ø12 double	P2.330803000
10	1	Hydraulic hose Steering cylinder left – Steering valve	P80.718
11	1	Hydraulic hose Steering cylinder right – Steering valve	P80.719
12	2	Nipple 1/2-1/4	P2.224404080
13	2	Copper washer 21x26x1,5	P03.17.21.26
14	1	Steering valve	P02.2009



IBoxer2\Onderdelenboek\Hydrauliek-Orbitrol-Ventielenblok.sza

**22 - HYDRAULICS STEERING VALVE / VALVE BLOCK**

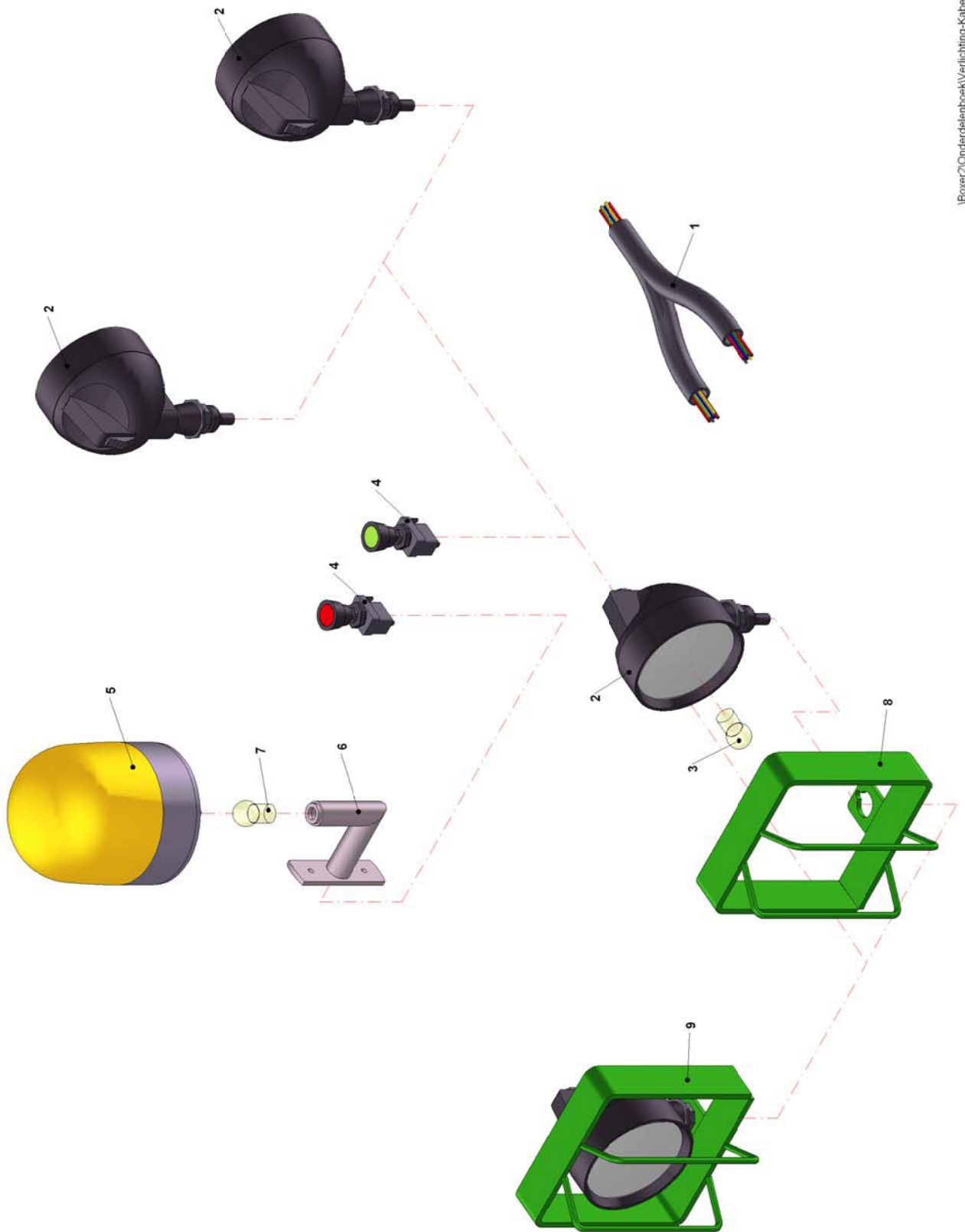
Pos.no.	Quantity	Description	Parts number
1	4	Nipple 1/2-15-90°	P2.116201000
2	1	Return pipe short	P80.0065
3	1	Fuel pipe 15mm ins. l= 150mm	P2.07011000
4	2	Hose bracket complete Ø15 single	P2.330229000
5	1	Return pipe long	P80.2211
6	1	T-connection 15mm	P2.134201000
7	1	Return pipe valve block	P80.2214
8	1	Connection pipe	P80.2213
9	1	Valve block	P02.2005
10	1	Return pipe 1 steering valve	P80.22121
11	1	Fuel pipe	P2.07011000
12	1	Return pipe 2 steering valve	P80.2212
13	1	Nipple 1/2-15	P2.110201000
14	1	Copper washer 21x26x1,5	P03.17.21.26
15	1	Steering valve	P02.2009



I:Boxer2\Onderdelenboek\Accumulator.sza

**23 - ACCUMULATOR (OPTION)**

Pos.no.	Quantity	Description	Parts number
1	1	Accumulator 50 BAR incl. bracket	H1000R50BAR
2	1	Adapter 3/8"-M18x1,5	P2.228418060
3	1	Electric valve 12V	EW10-A-001
4	1	Nipple 3/8"-15	P2.110152000
5	1	Hydraulic pipe	P02.0504
6	1	T-connection 15mm	P2.134201000
7	1	Hydraulic hose Valve block – Accumulator	P80.721
8	1	Nipple 1/2"-15	P2.110201000
9	1	Hydraulic hose 3 Accumulator – Lift cylinder	P80.720.2
10	1	Front cap	P80.0120

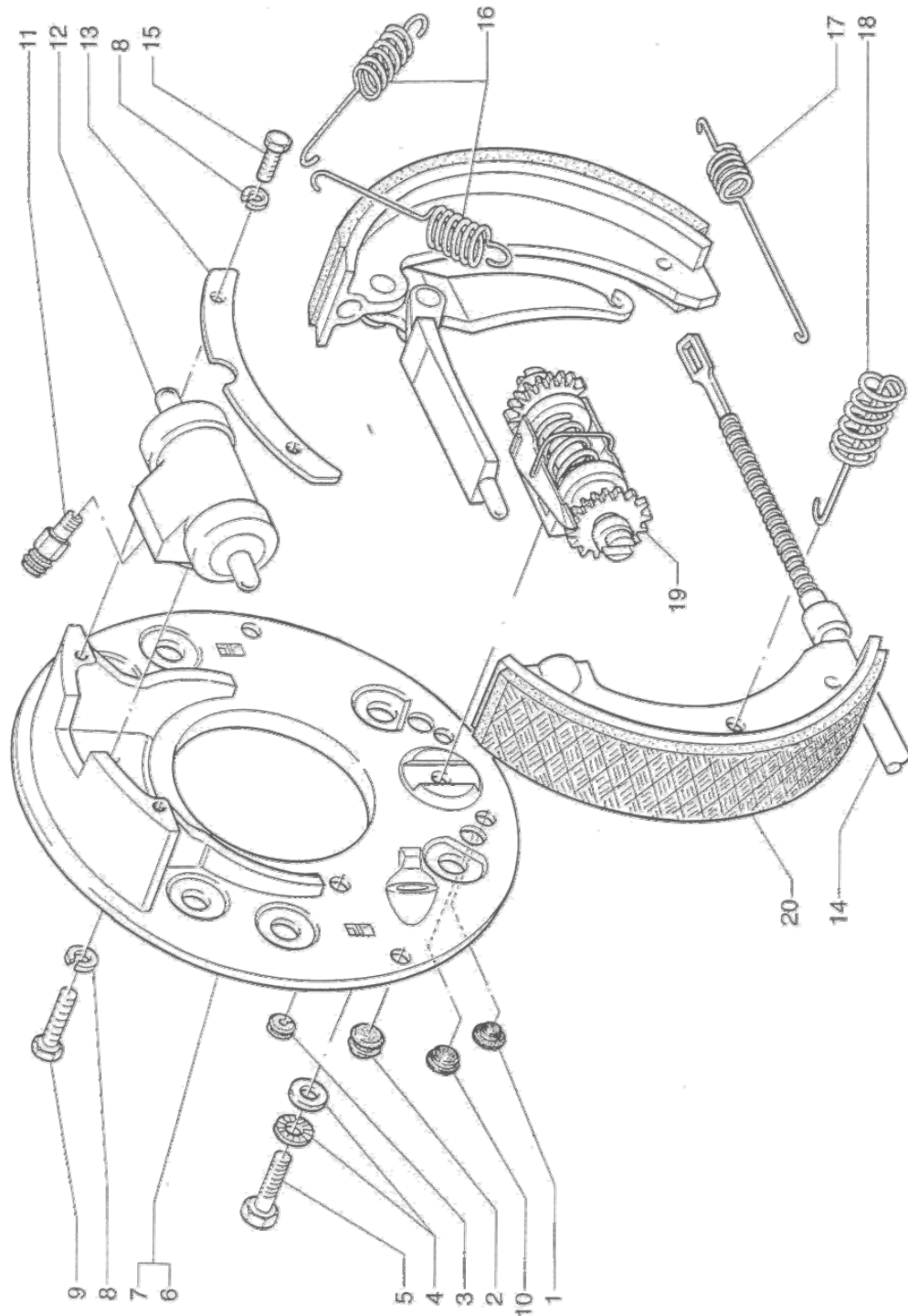


IBoxer2(Onderdelenboek)Verlichting-Kabelboom.sza



24 - ILLUMINATION (OPTION) & MAIN CABLING

Pos.no.	Quantity	Description	Parts number
1	1	Main cabling	P80.0100
2	2 / 4	Head lamp complete	P01.13030
3	1	Globe head lamp	P01.0169
4	1	Switch	P01.0014.1
5	1	Flashing light	P01.13035
6	1	Support flashing light	P01.13035.1
7	1	Globe flashing light	P01.13031.1
8	1	Support head lamp left	P80.0057
9	1	Support head lamp right	P80.0058



1. BOXER/ONDERDELENBOEK/REHMEN 52N

25 - BRAKES

Pos.no.	Quantity	Description	Parts number
1	4	Plug	G.3111103
2	4	Plug	G.3174143
3	2	Wire supporting	G.3227113
4	4	Washer	G.3168533
5	2	Screw	G.3227963
6	1	Right plate	G.3249023
7	1	Left plate	G.3249033
8	8	Spring lock ring	G.3168513
9	4	Screw	G.3227953
10	4	Plug	G.3227973
11	2	Valve of bleeder	G.3249043
12	2	Complete cylinder Ø23.81	G.3227893
13	2	Sheet metal	G.3227883
14	2	Handbrake cable	G.3211303
15	4	Screw	G.3186313
16	4	Upper spring	G.3168623
17	2	Lower spring	G.3227923
18	4	Spring	G.3249053
19	2	Adjusting device complete	G.3249063

Pos.no.	Kit	Parts number
20	Complete brake shoe kit right/left	G.3249003
	Complete right brake Knott Ø203x60	G.3211323
	Complete left brake Knott Ø203x60	G.3211333

Trädgårdsteknik AB
Helsingborgsvägen Varalöv
262 96 ÄNGELHOLM
Tel: 0431-22290
Fax: 0431-22270
Mail: info@[tradgardsteknik.se](mailto:info@tradgardsteknik.se)
Webb: www.tradgardsteknik.se