



Partner in Growing

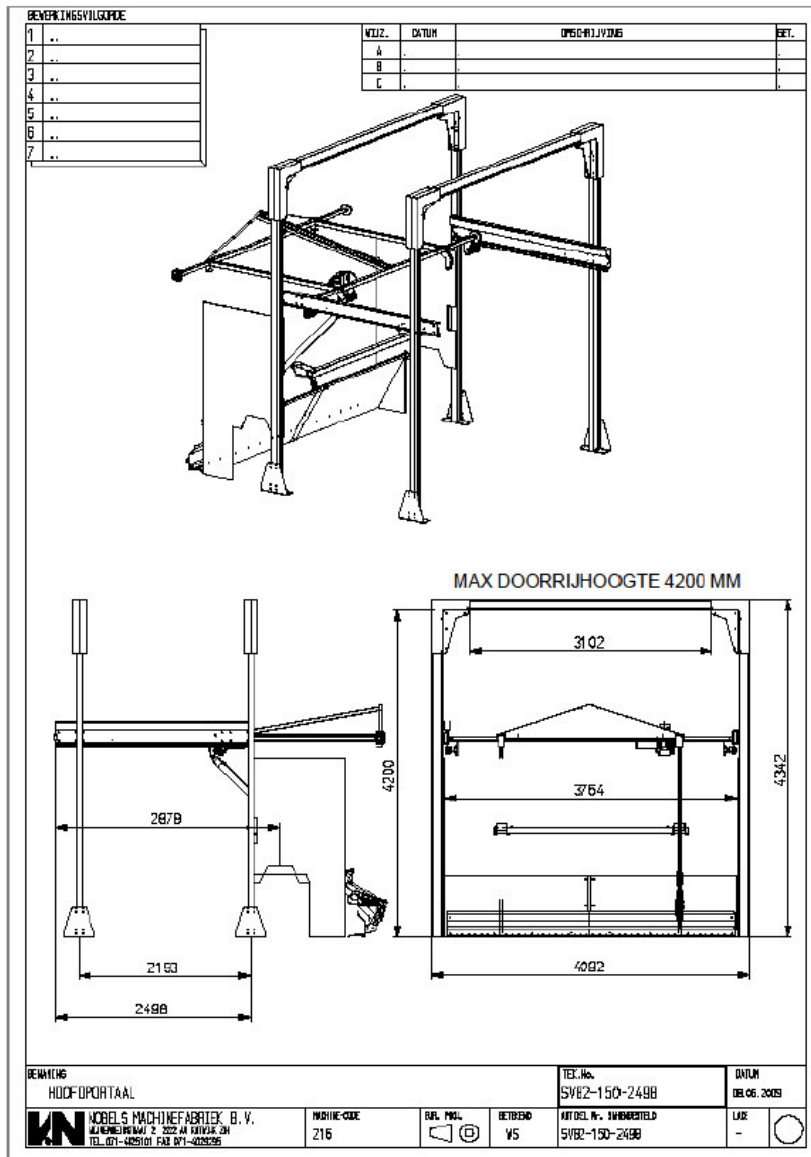


Newsletter

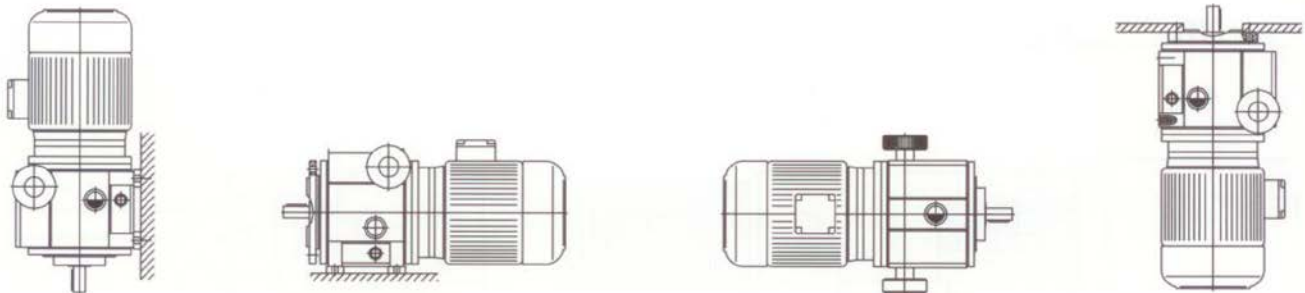
SUBJECT: Soil Bunker (Toploader type)

DATE: 08-06-09

The frame portals of the Toploader have been changed to be suitable for a higher headway. Therefore other corner pieces have been used. The headway is now 4200mm.



Oil quantities (ccm) variable-speed ball drive KR1-KR4



Einbaulage	V1, V5, V18	B3, B5, B14	B6, B7	V3, V6, V19
KR1	70	70	70	70
KR2	200	125	200	125
KR3	400	250	400	250
KR4	800	450	800	450

Only the use of Santotrac 50/Variotrac 32 synthetic traction fluid ensures full power transmission.

The warranty requires this oil type to be used. The oil should be changed after 5000 operating hours (at least once per year). The oil change must not be carried out during operation. No other maintenance work is required.

Oil quantities FMRV + FDL:

Drive:	Quantity (ltr):	Type:
FMRV030	0,05	BP Energol SG-XP320
FMRV040	0,1	BP Energol SG-XP320
FMRV050	0,15	BP Energol SG-XP320
FDL018	0,13 (aber in vertikal mit Wellenende nach unten: 0,2)	BP Autran DX
FDL037	0,15 (aber in vertikal mit Wellenende nach unten: 0,25)	BP Energol SG-XP320

Trädgårdsteknik AB
Helsingborgsvägen Varalöv
262 96 ÄNGELHOLM
Tel: 0431-22290
Fax: 0431-22270
Mail: info@[tradgardsteknik.se](mailto:info@tradgardsteknik.se)
Webb: www.tradgardsteknik.se