

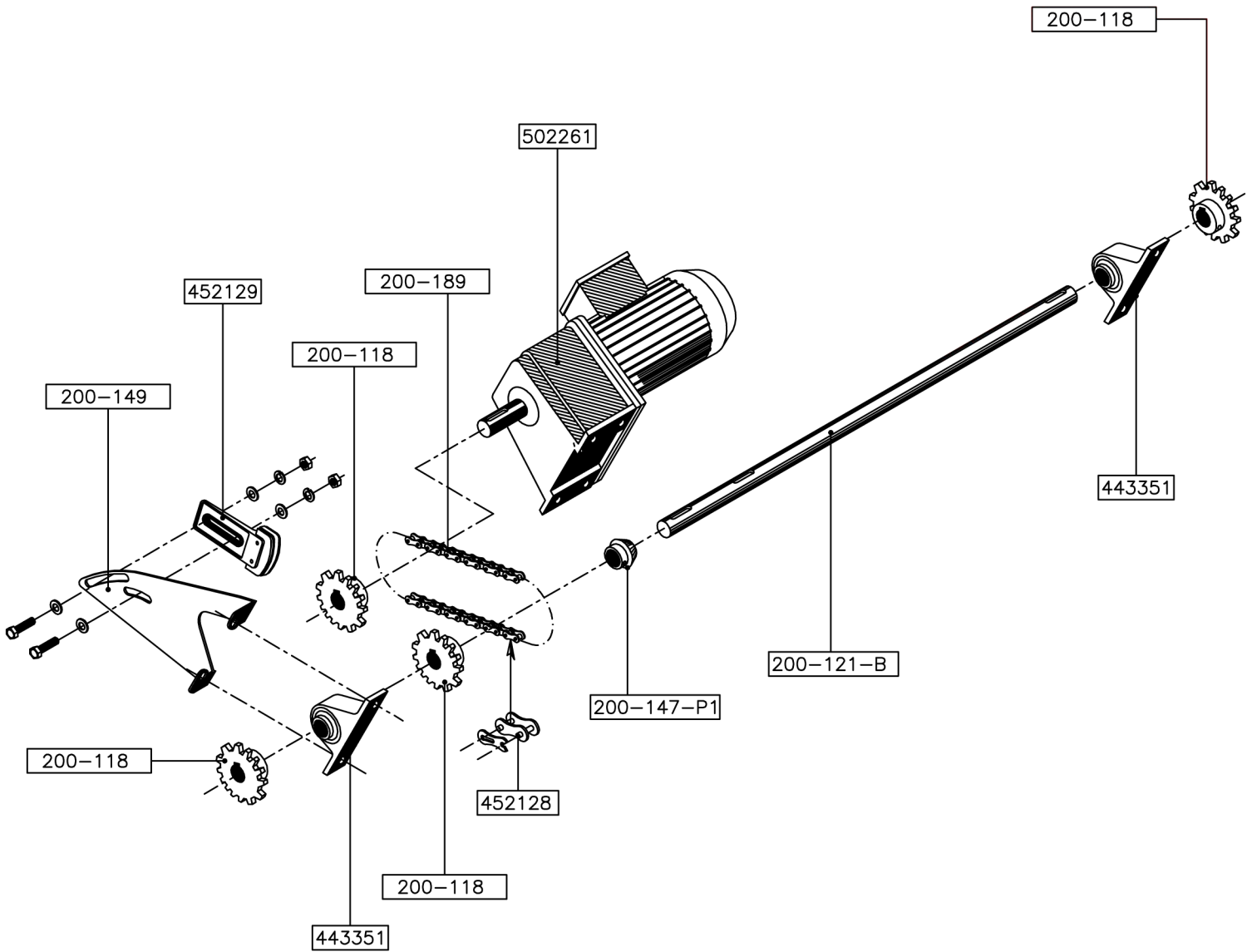
Javo Big Bale

Drive pallet tilter - EUR 230/400V 50Hz

200-00-01-01-00 (untill 2006)



Partner in Growing



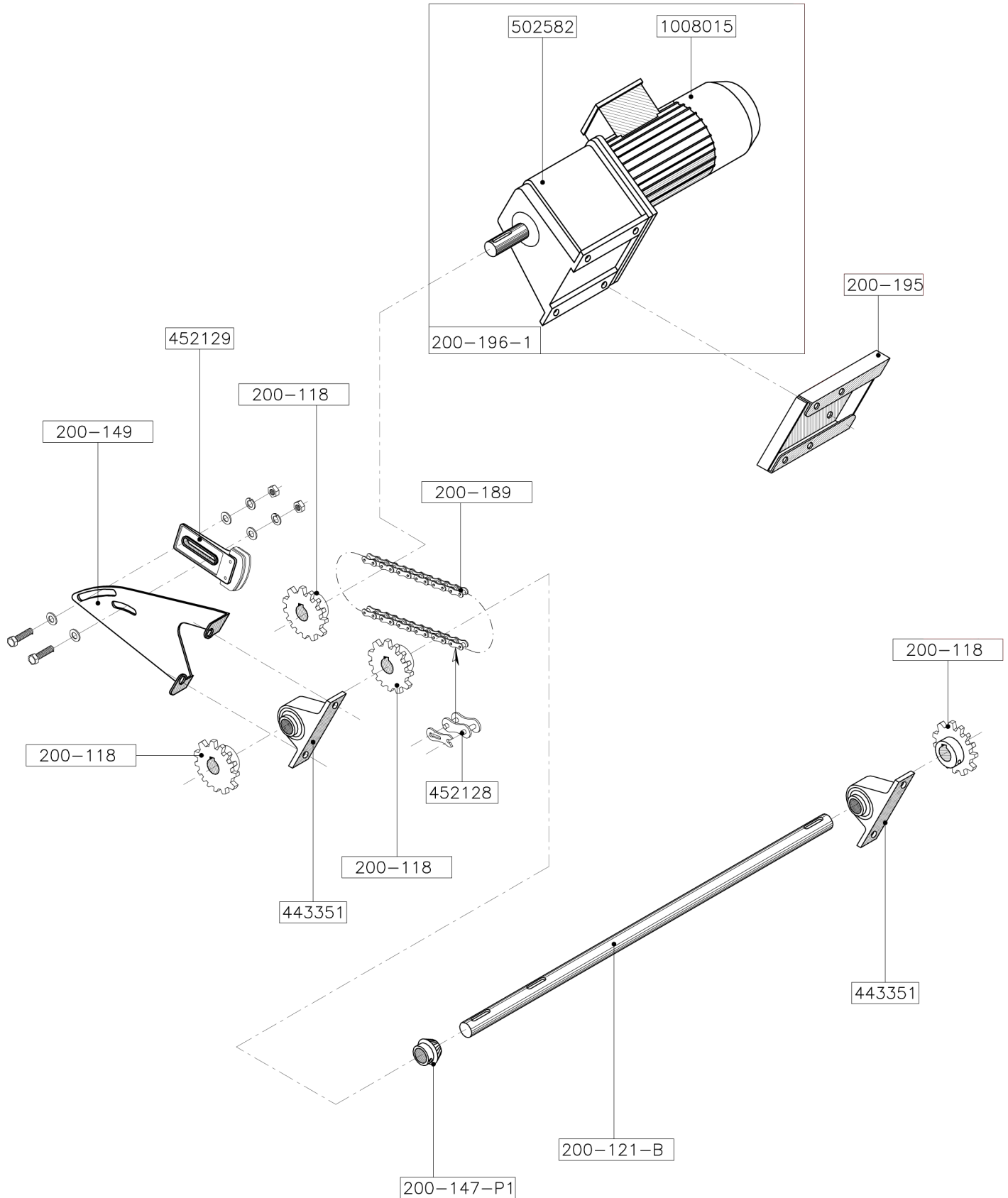
Javo Big Bale

Drive pallet tilter - EUR 230/400V 50Hz

200-00-01-01-01



Partner in Growing



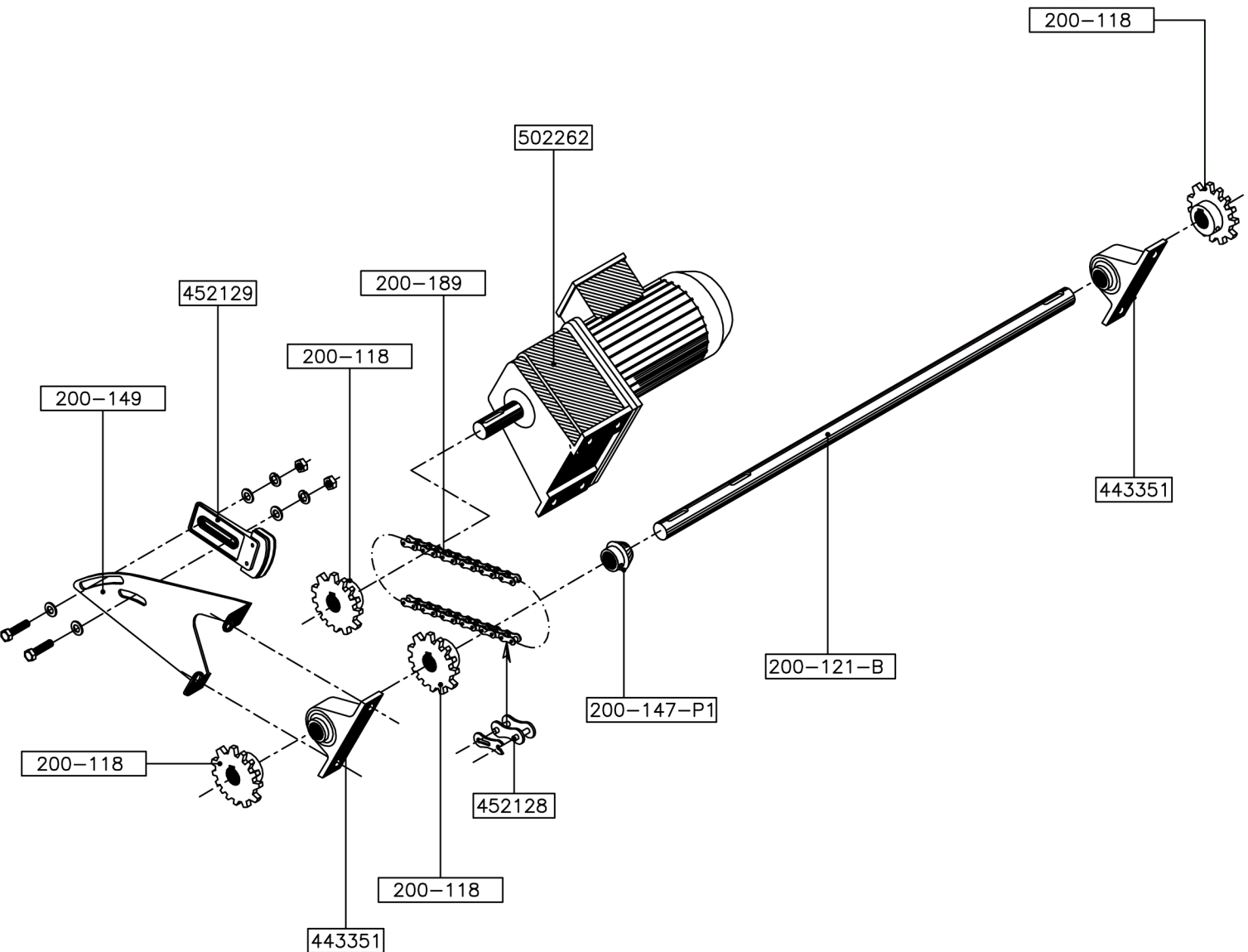
Javo Big Bale

Drive pallet tilter - USA 220/380V 60Hz

200-01-02-00 (untill 2006)



Partner in Growing



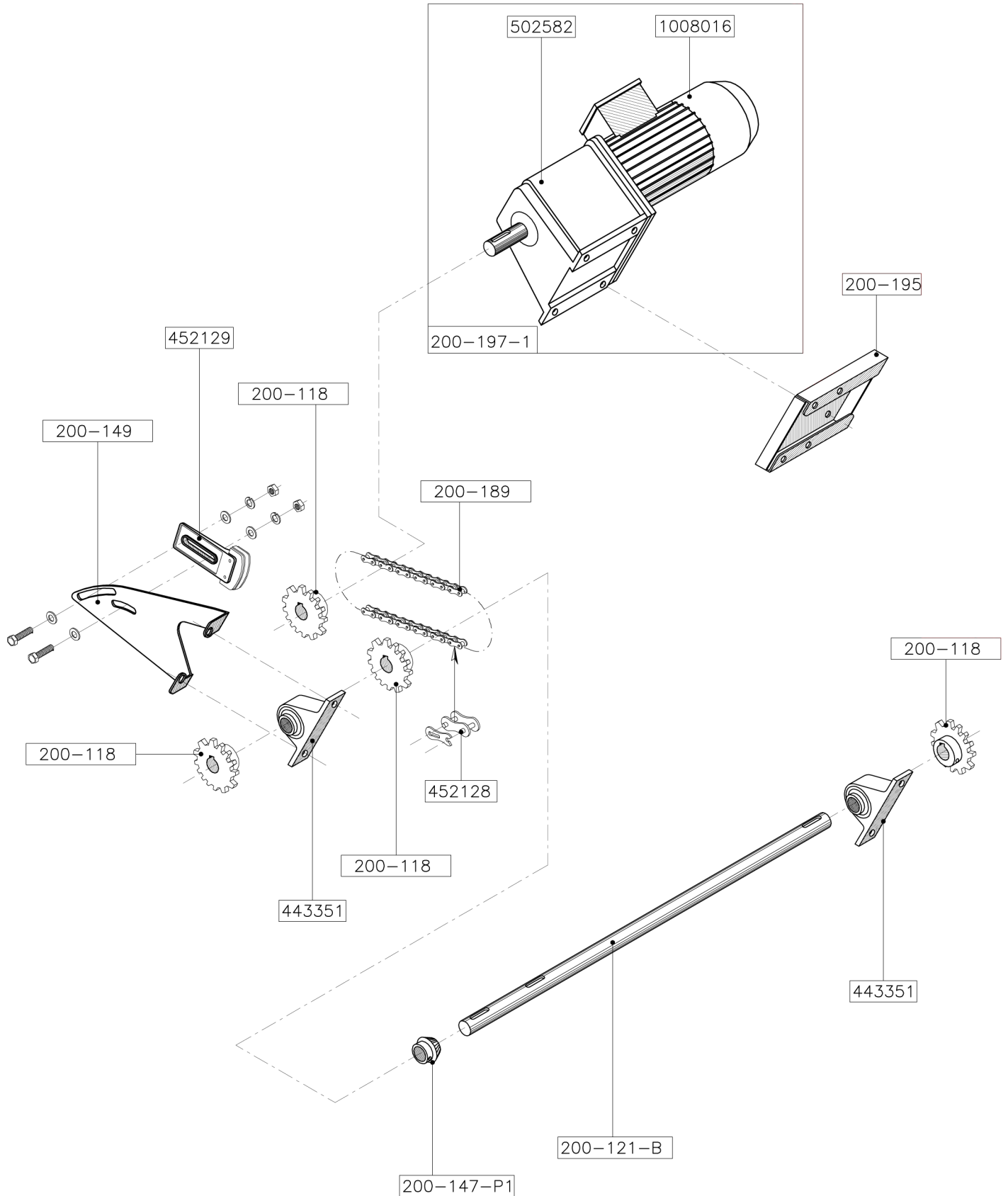
Javo Big Bale

Drive pallet tilter - USA 220/380V 60Hz

200-00-01-02-01



Partner in Growing



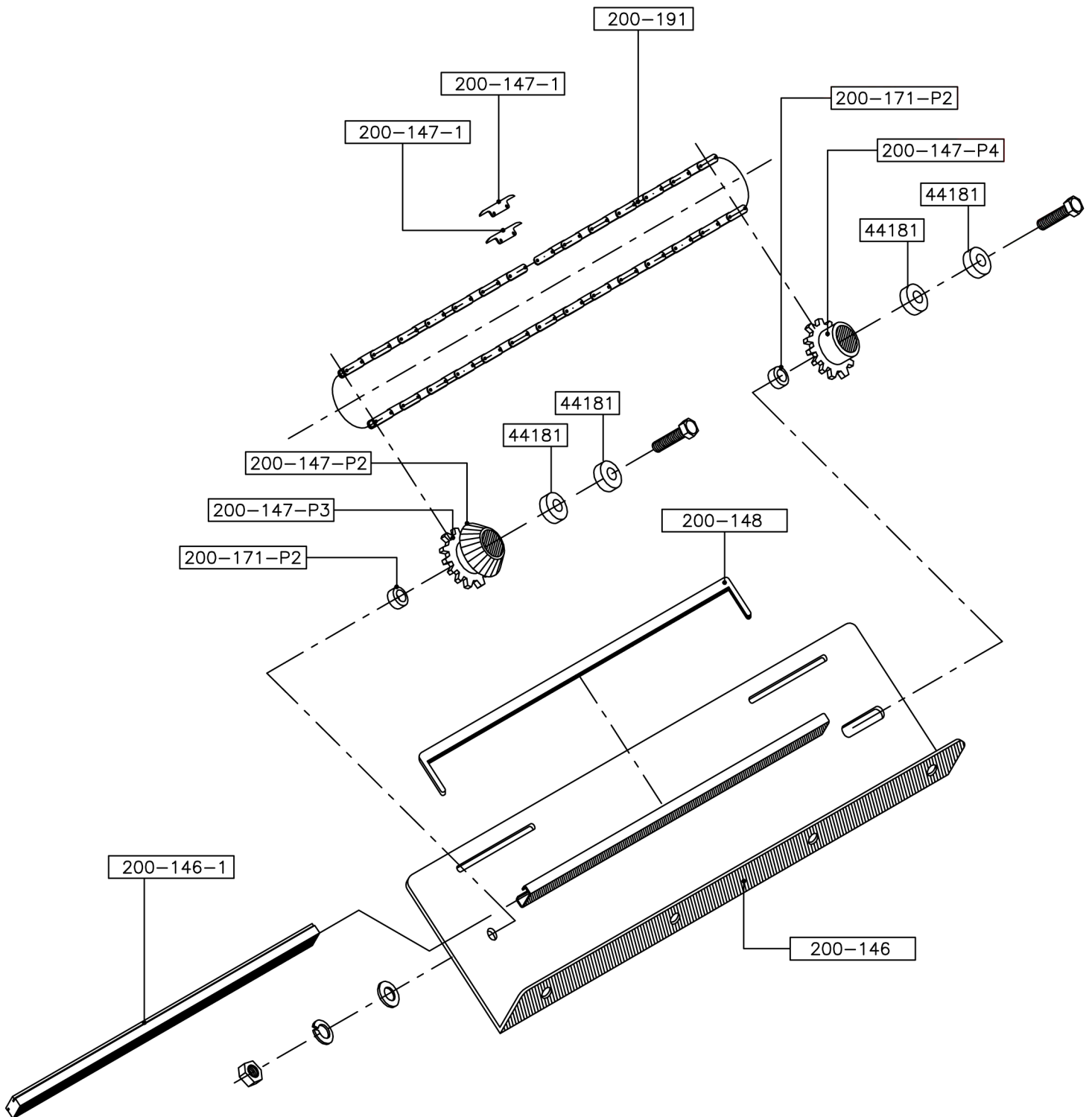
Javo Big Bale

Switch set filter

200-00-02-01-00

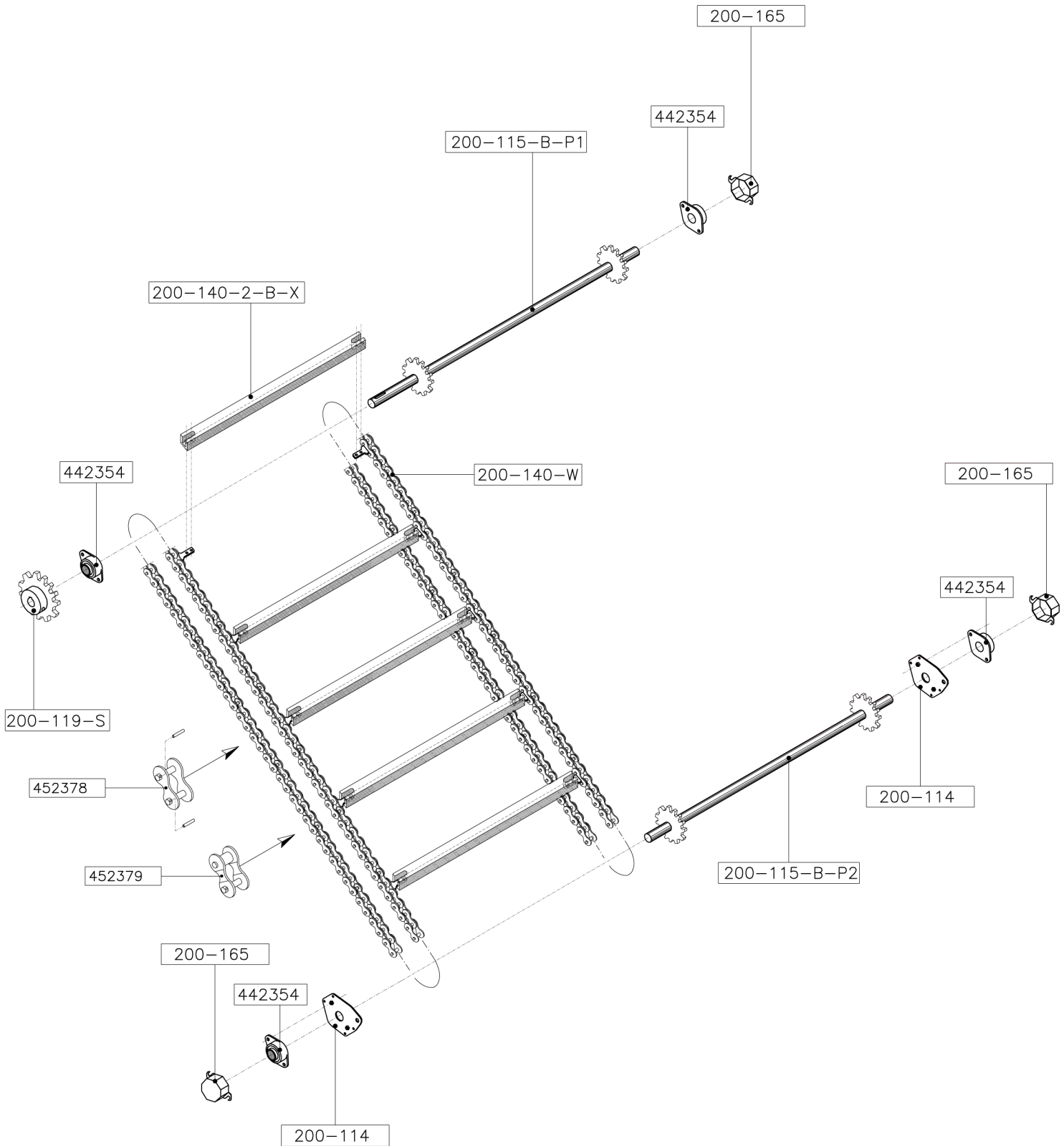


Partner in Growing

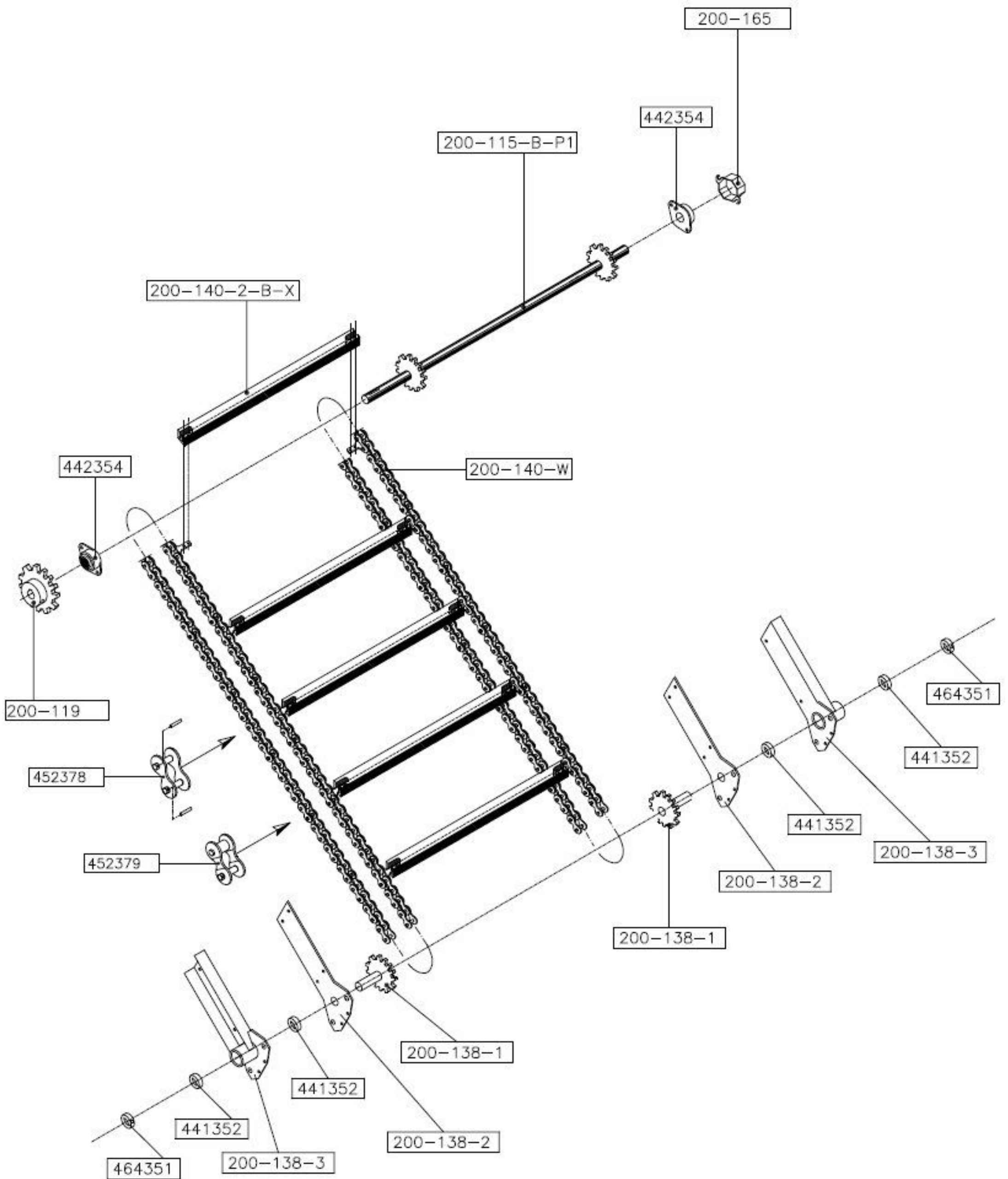


Trail Chain

200-00-03-01-01



Big Bale Trail Chain

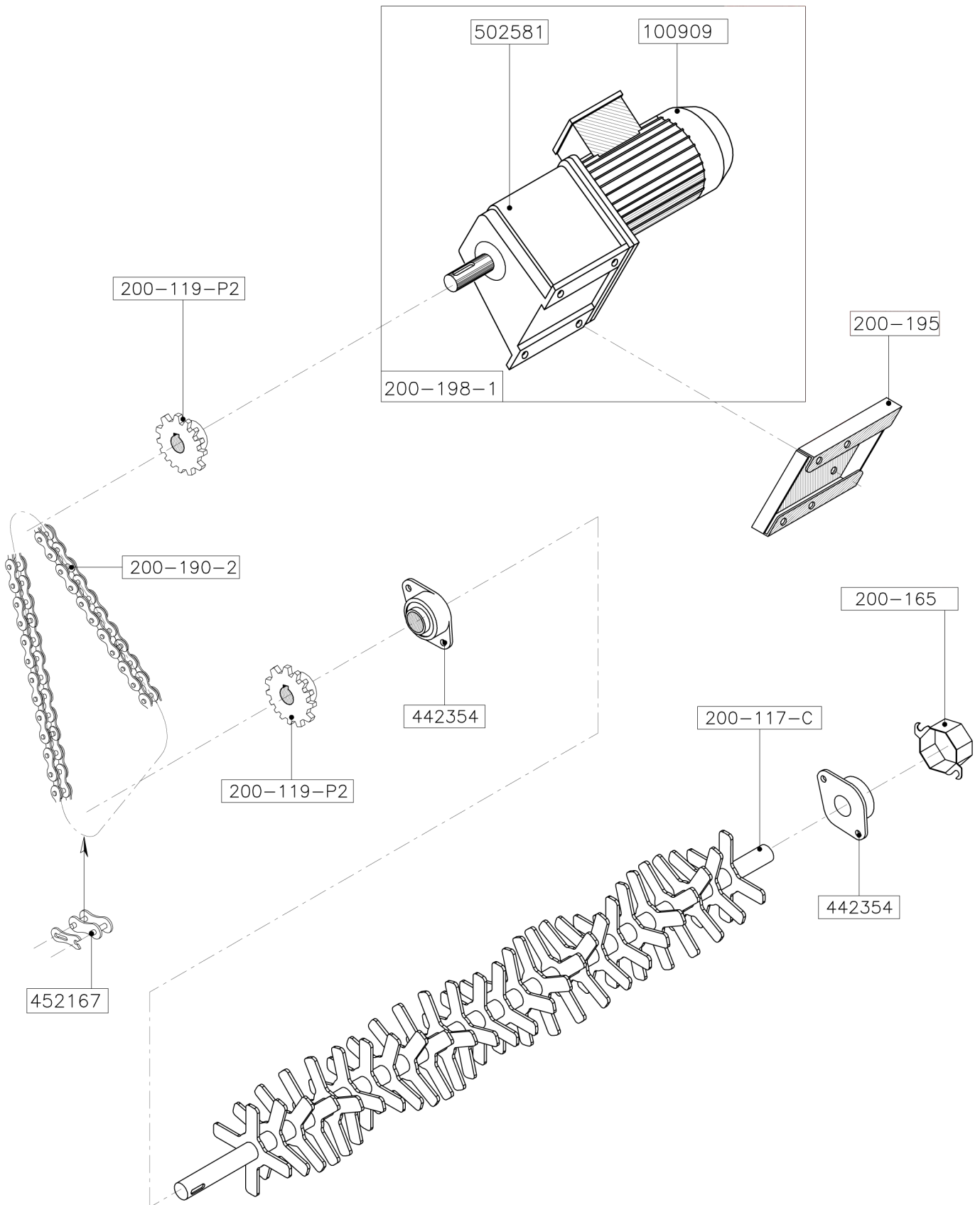


Crumbeler + Drive

200-00-04-01-03



Partner in Growing



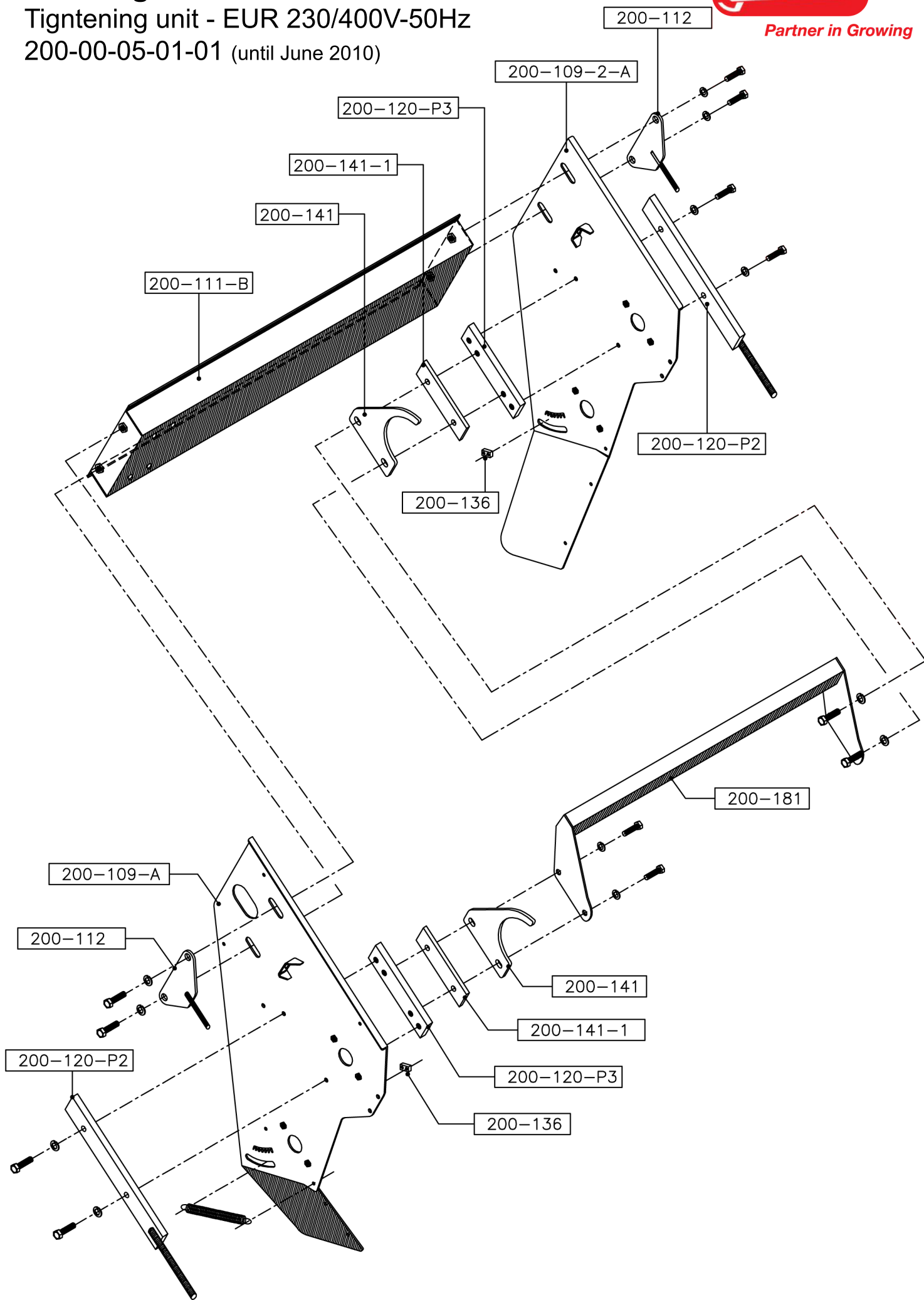
Javo Big Bale

Tightening unit - EUR 230/400V-50Hz

200-00-05-01-01 (until June 2010)



Partner in Growing



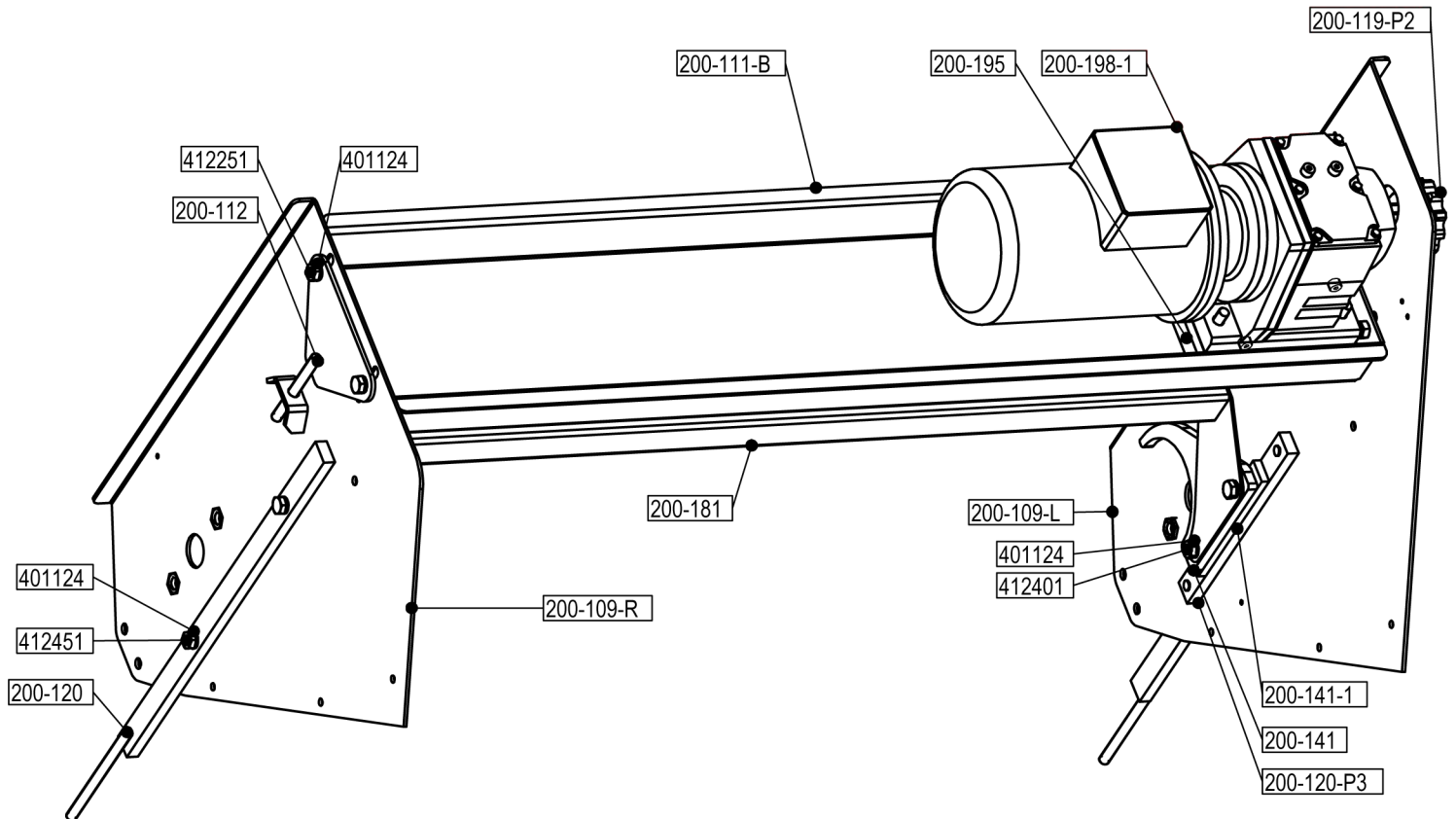
Javo Big Bale

Tightening unit - EUR 230/400V-50Hz

200-00-05-01-02 (since June 2010)



Partner in Growing



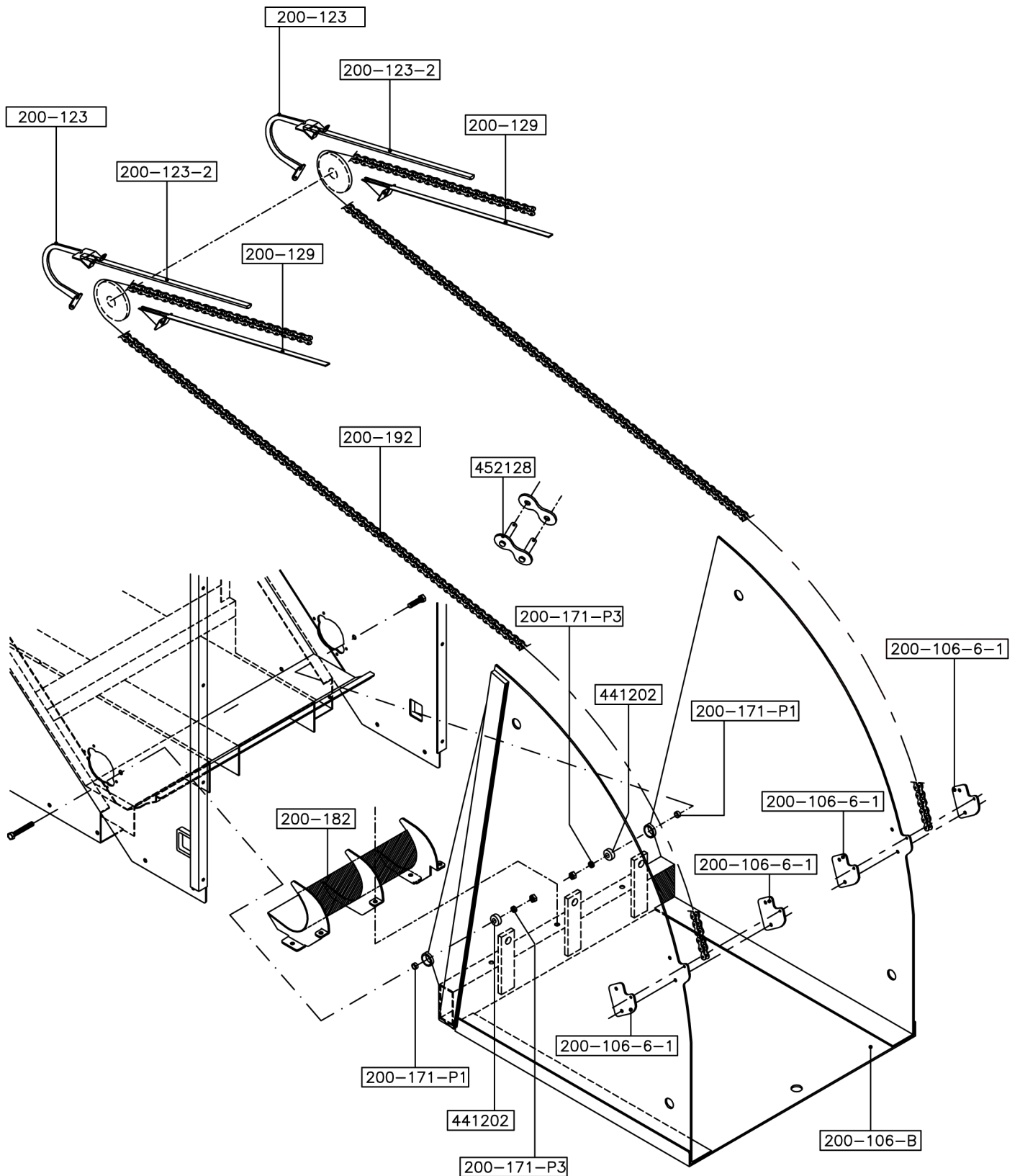
Javo Big Bale

Pallet tilter

200-00-07-01-01 (until June 2010)



Partner in Growing



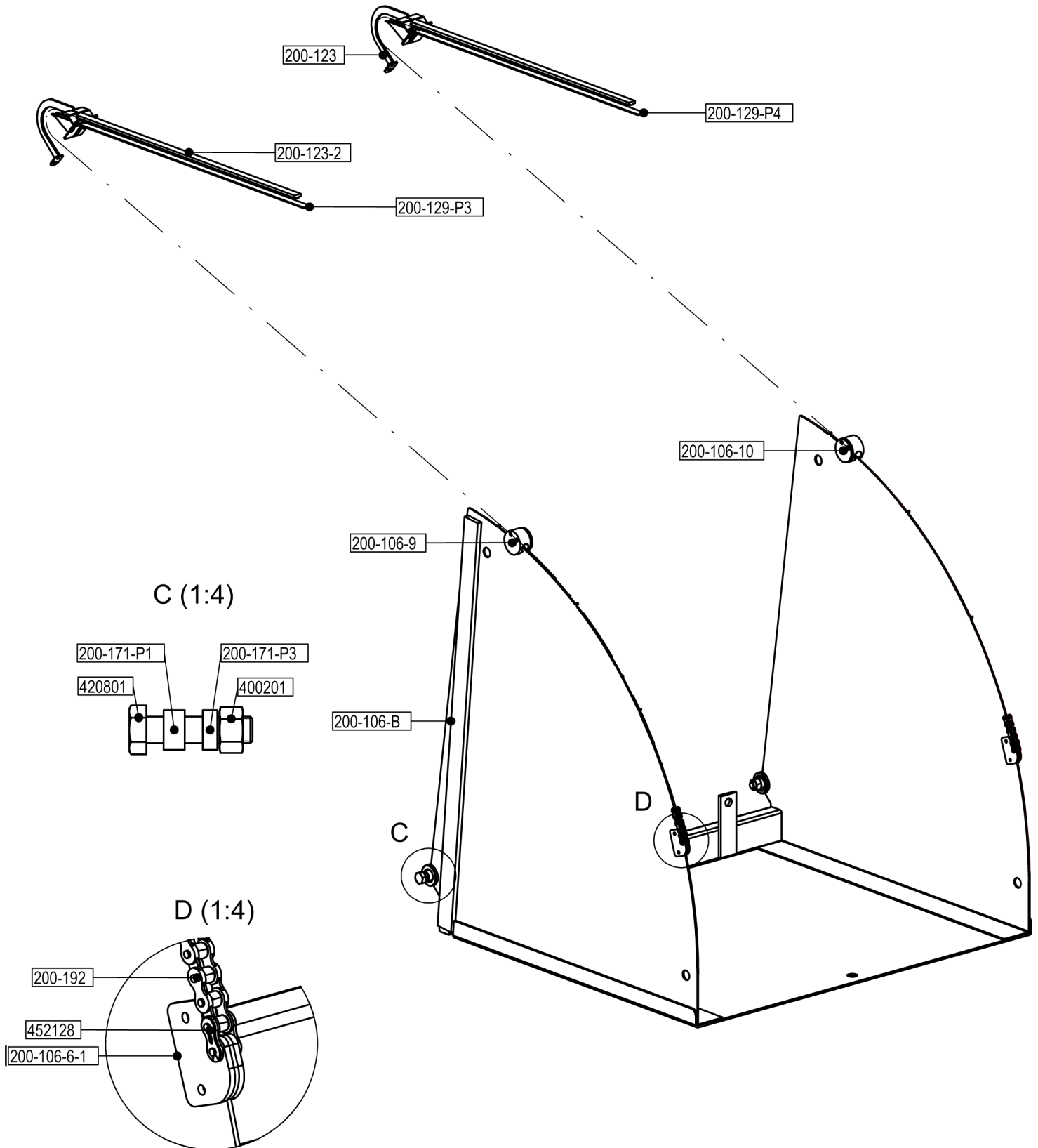
Javo Big Bale

Pallet tilter

200-00-07-01-02 (since June 2010)



Partner in Growing



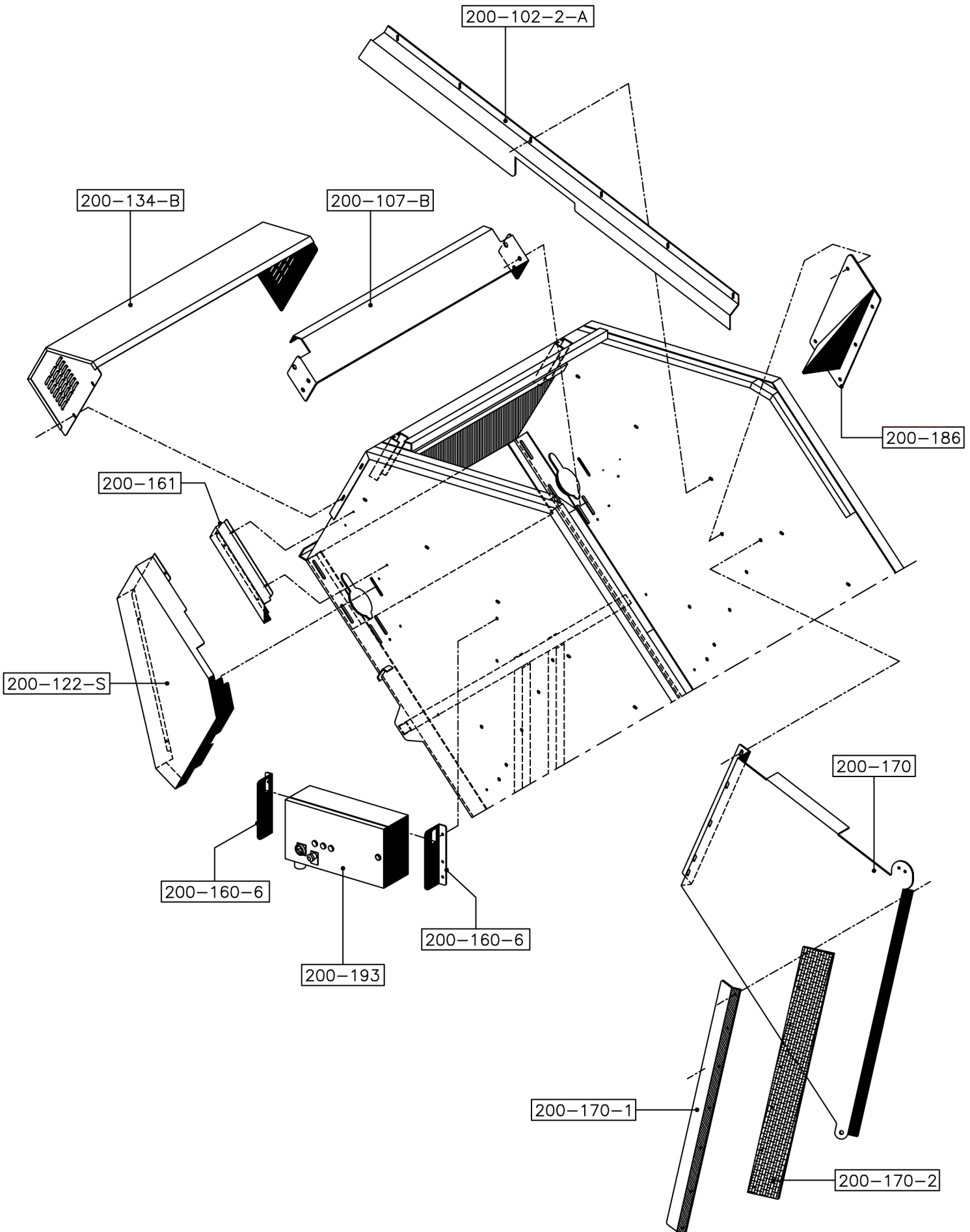
Javo Big Bale

Covers

200-00-08-01-01 (until June 2010)



Partner in Growing



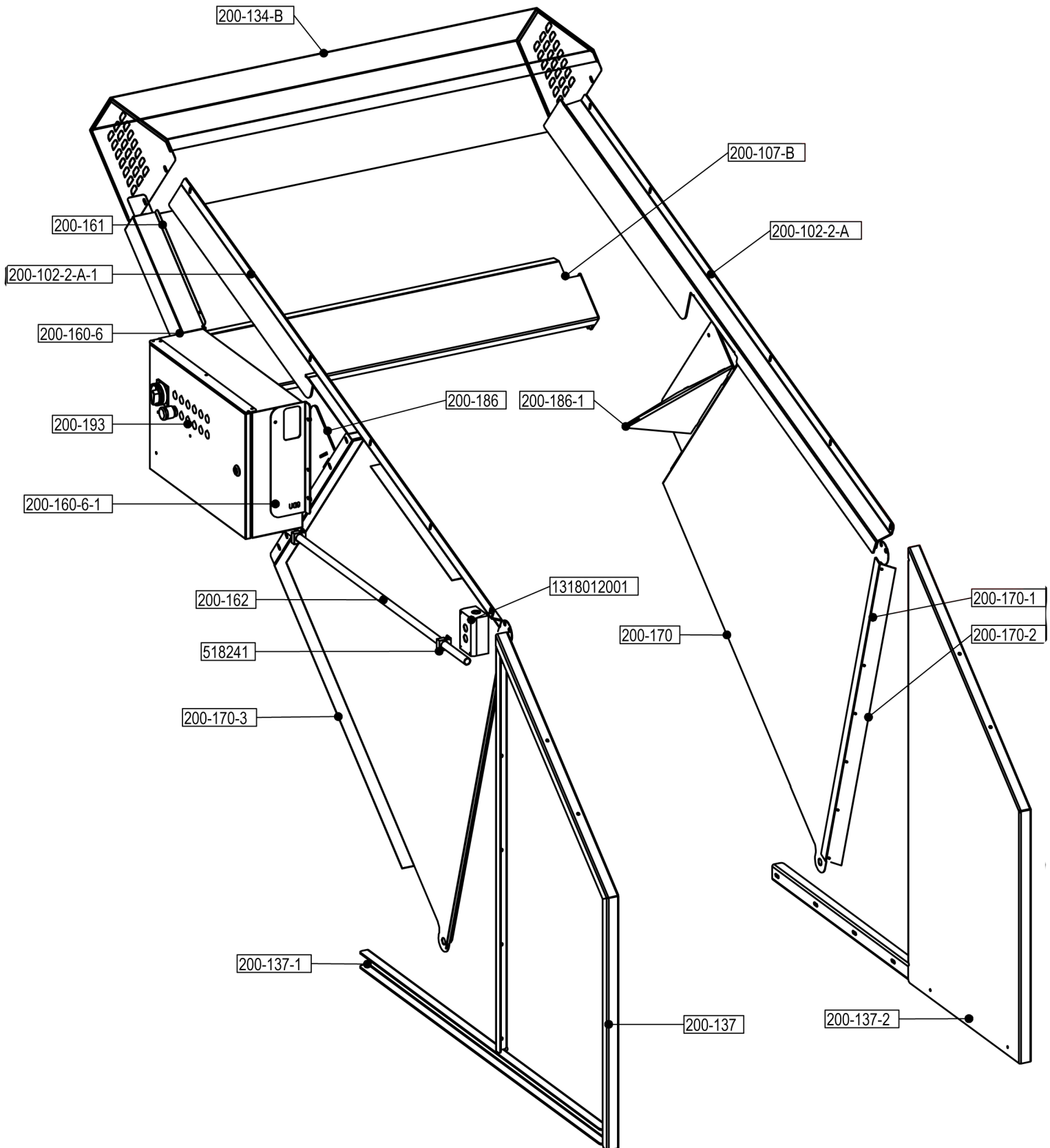
Javo Big Bale

Covers

200-00-08-01-02 (since June 2010)



Partner in Growing



Javo Big Bale

Spillway - standard
200-100-B



Partner in Growing

