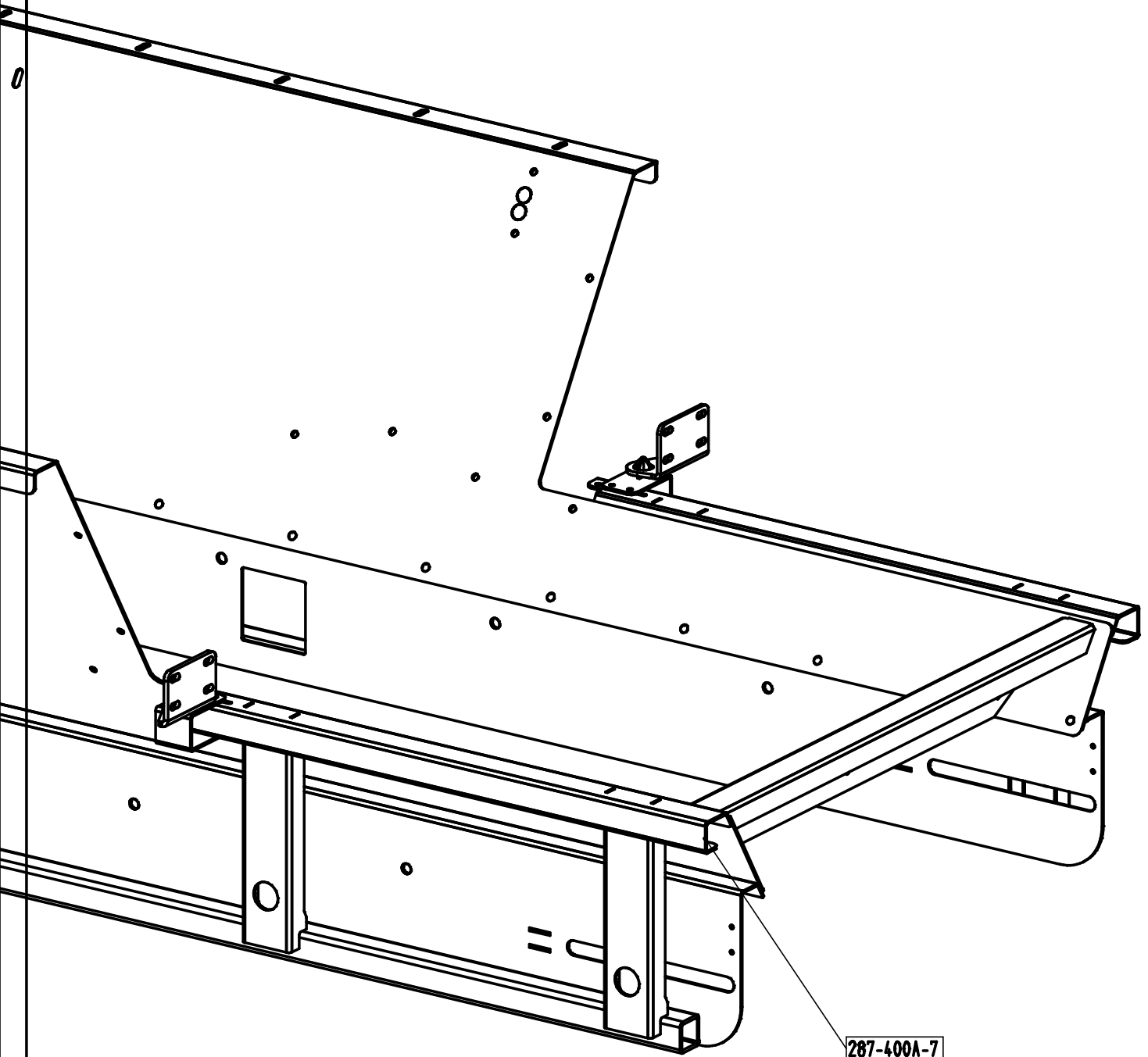


Kit No:
287-400A-7



Partner in Growing

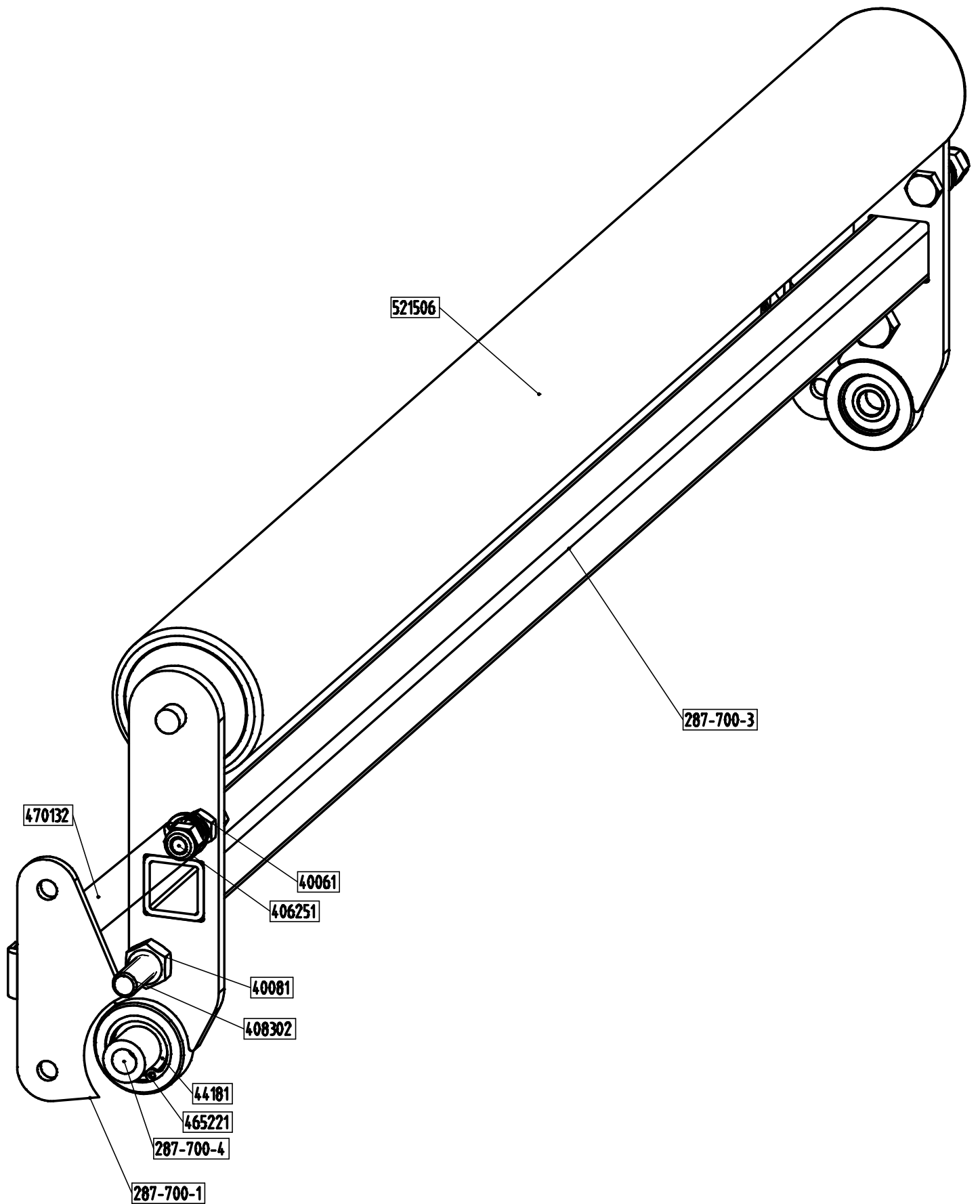


287-400A-7

Kit No:
287-700



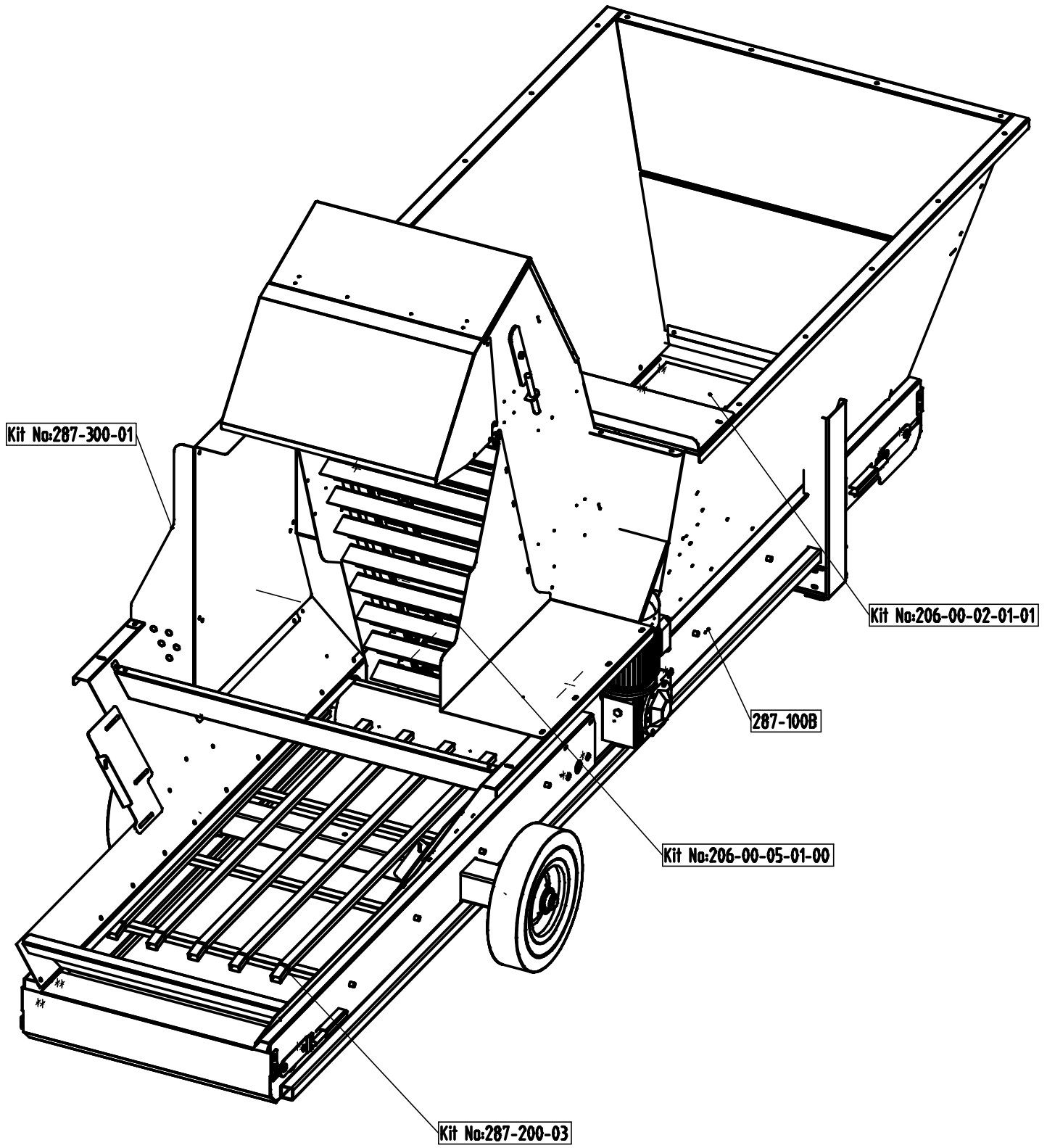
Partner in Growing

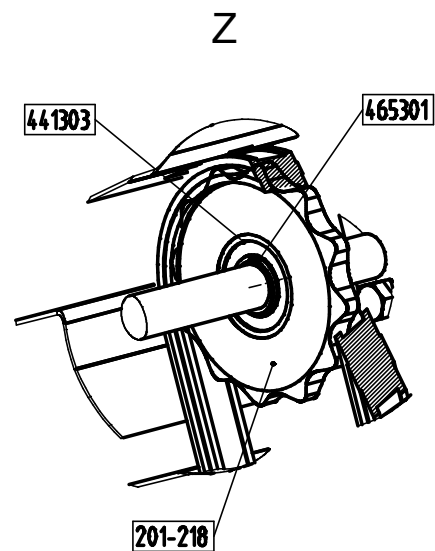
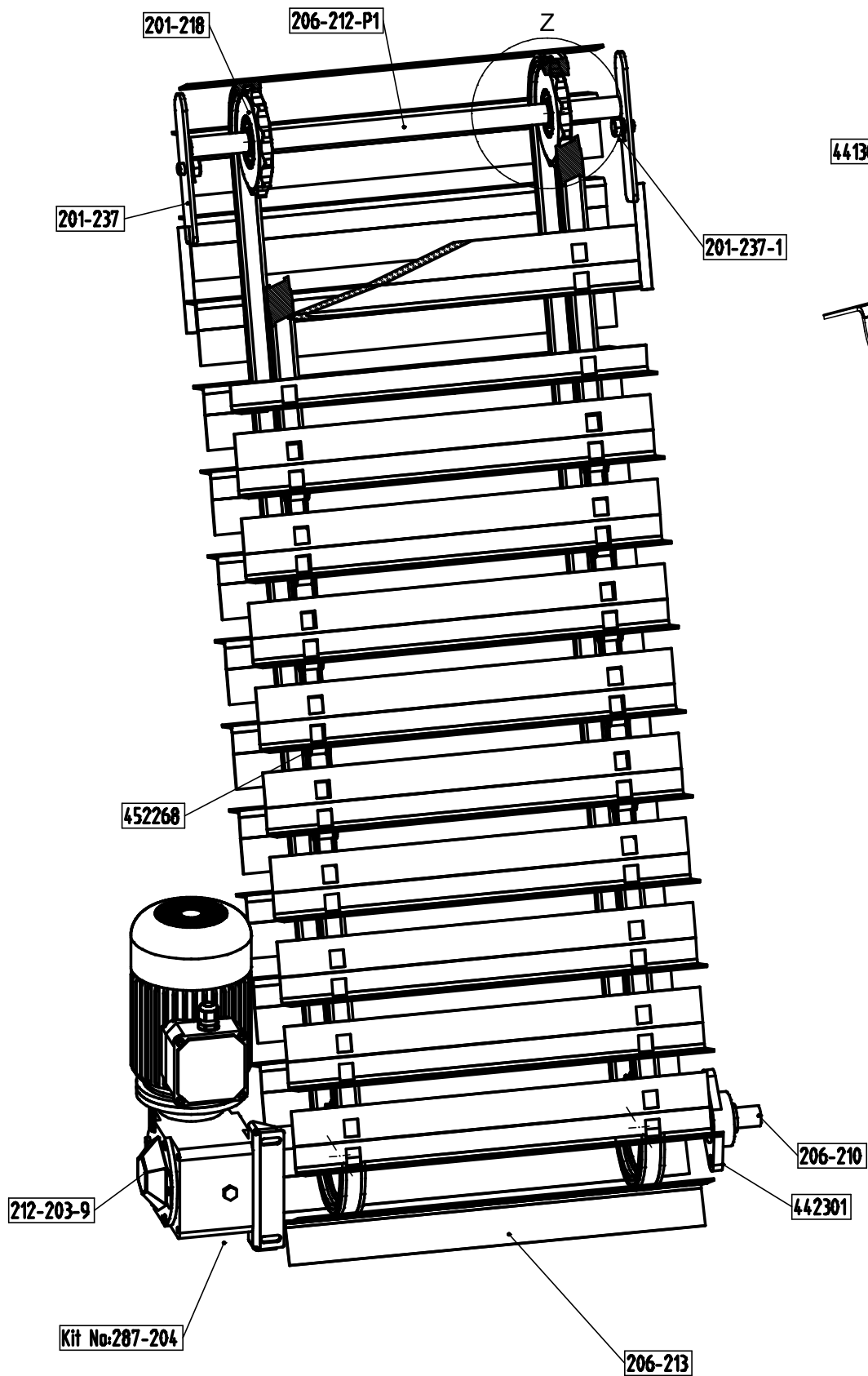


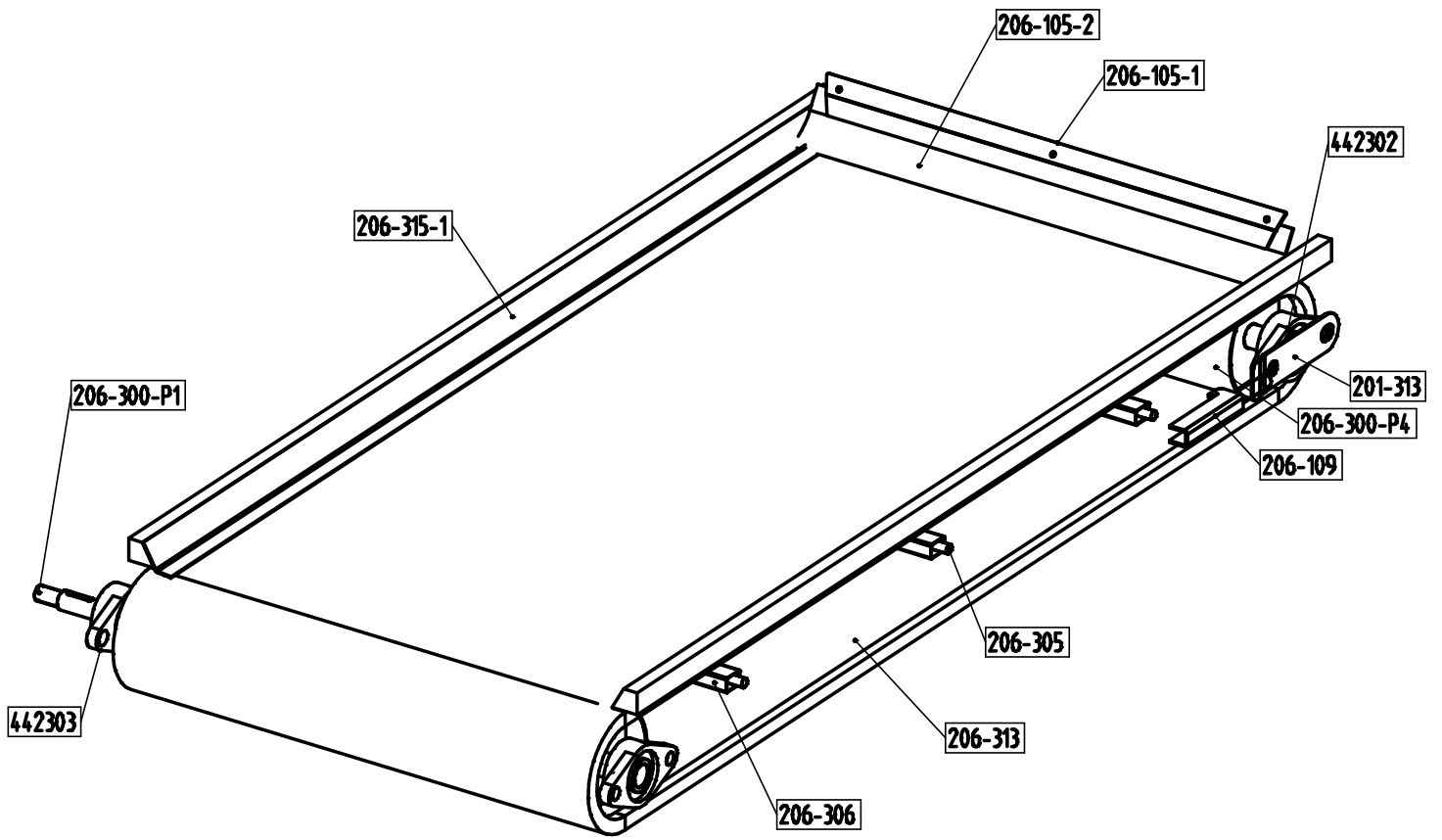
Kit No:
287-100-03

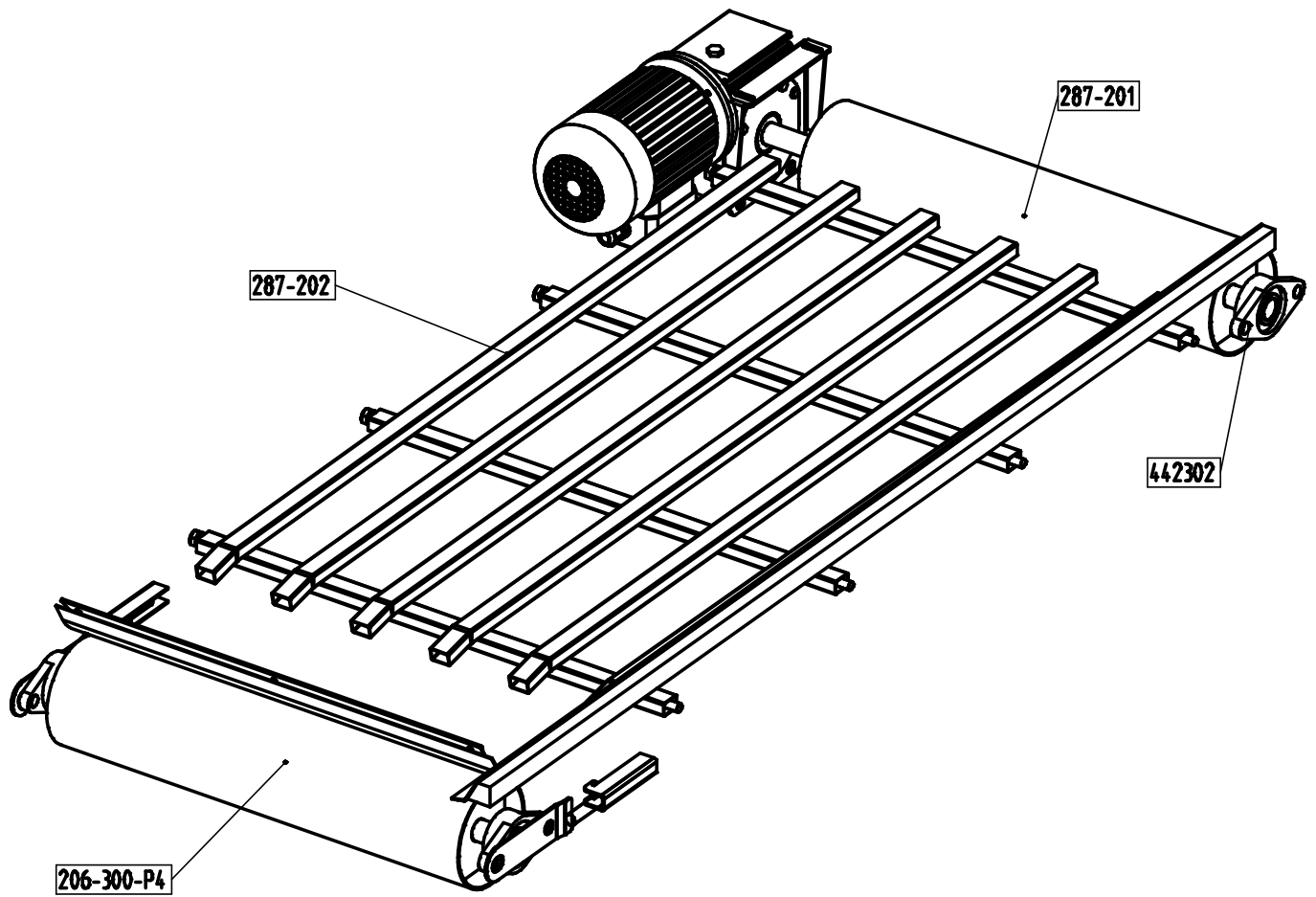
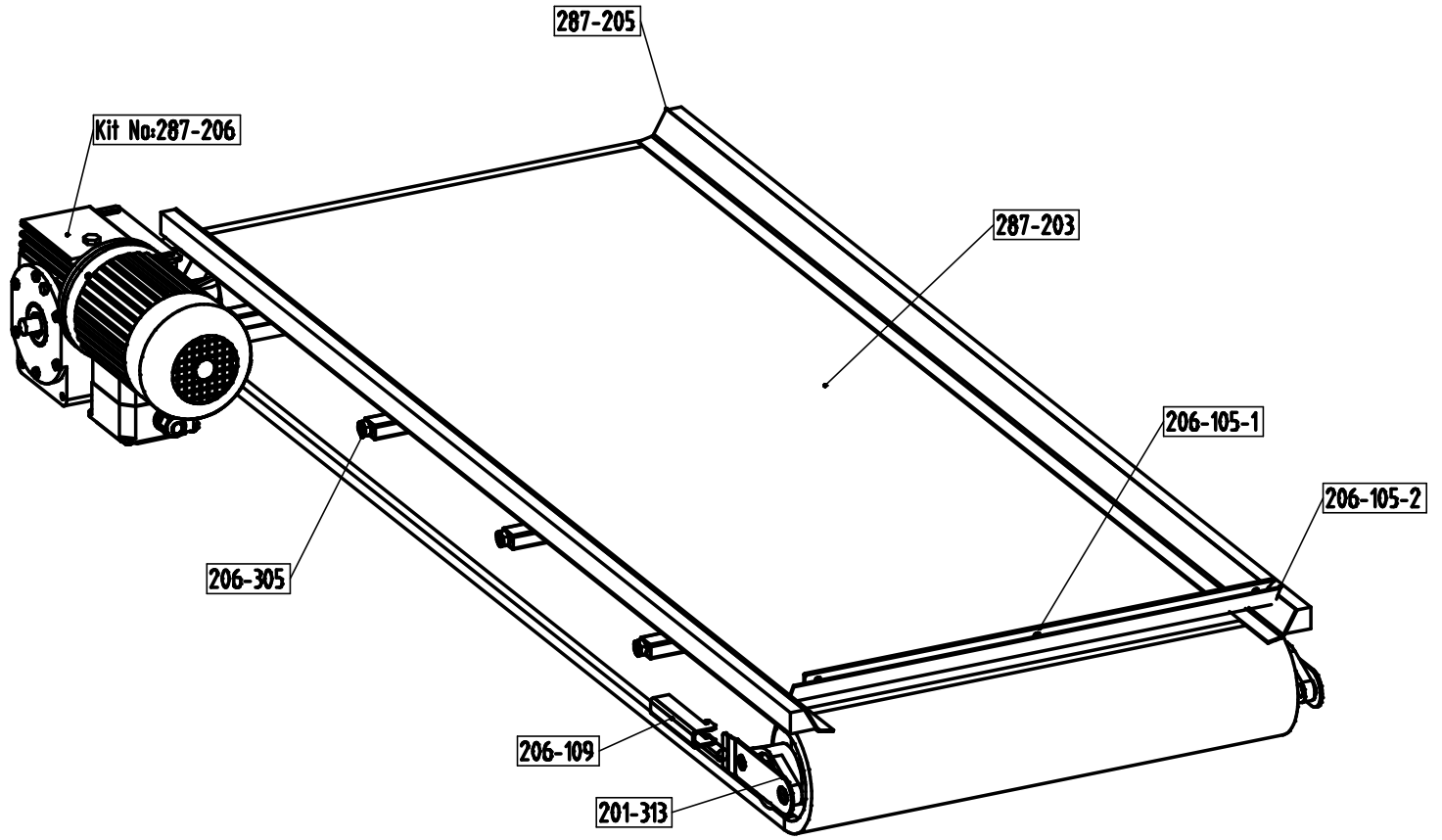


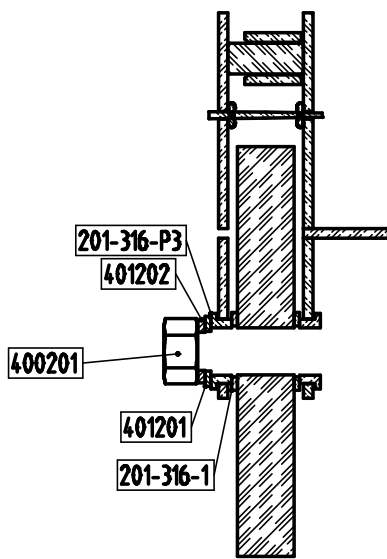
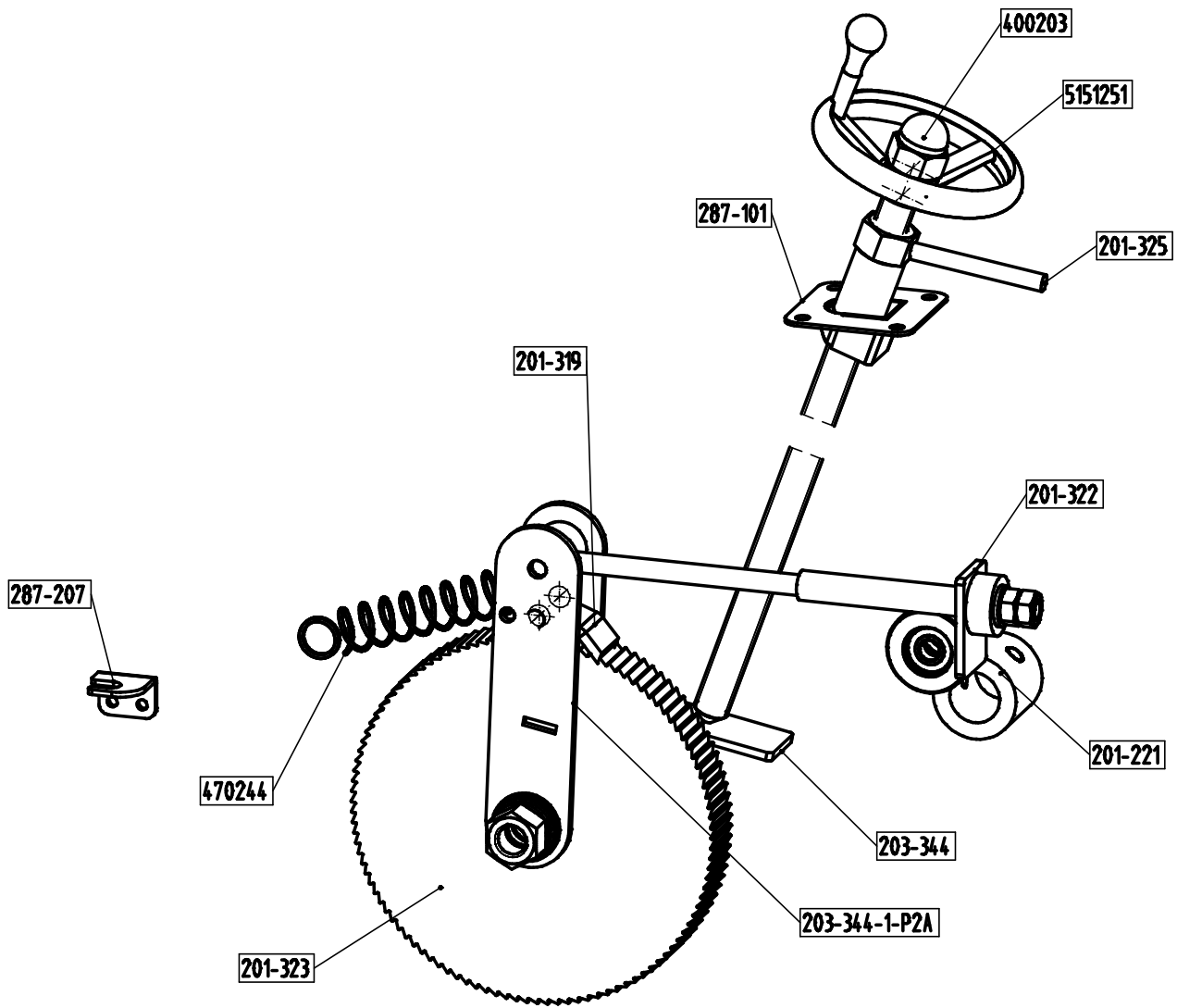
Partner in Growing

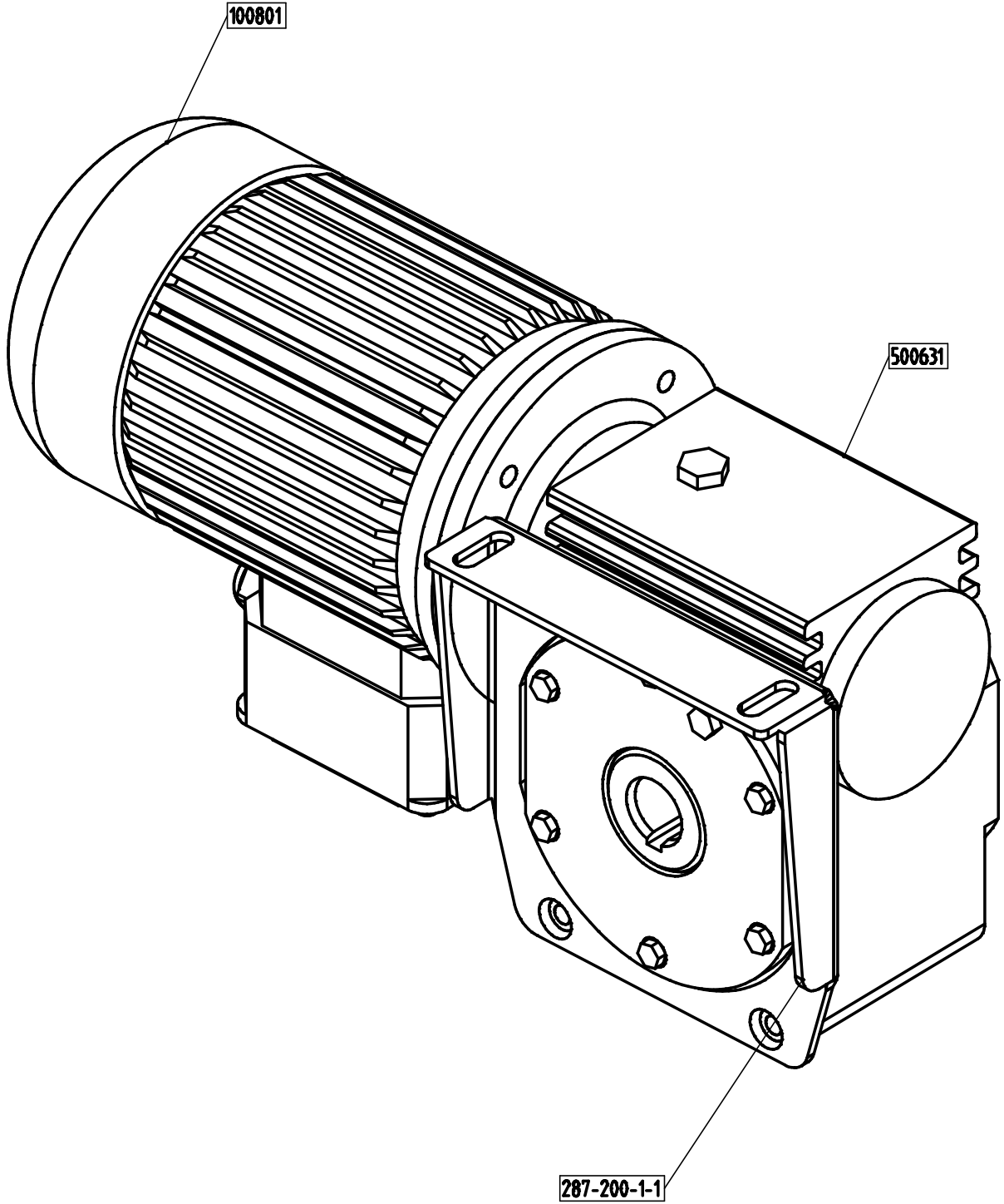








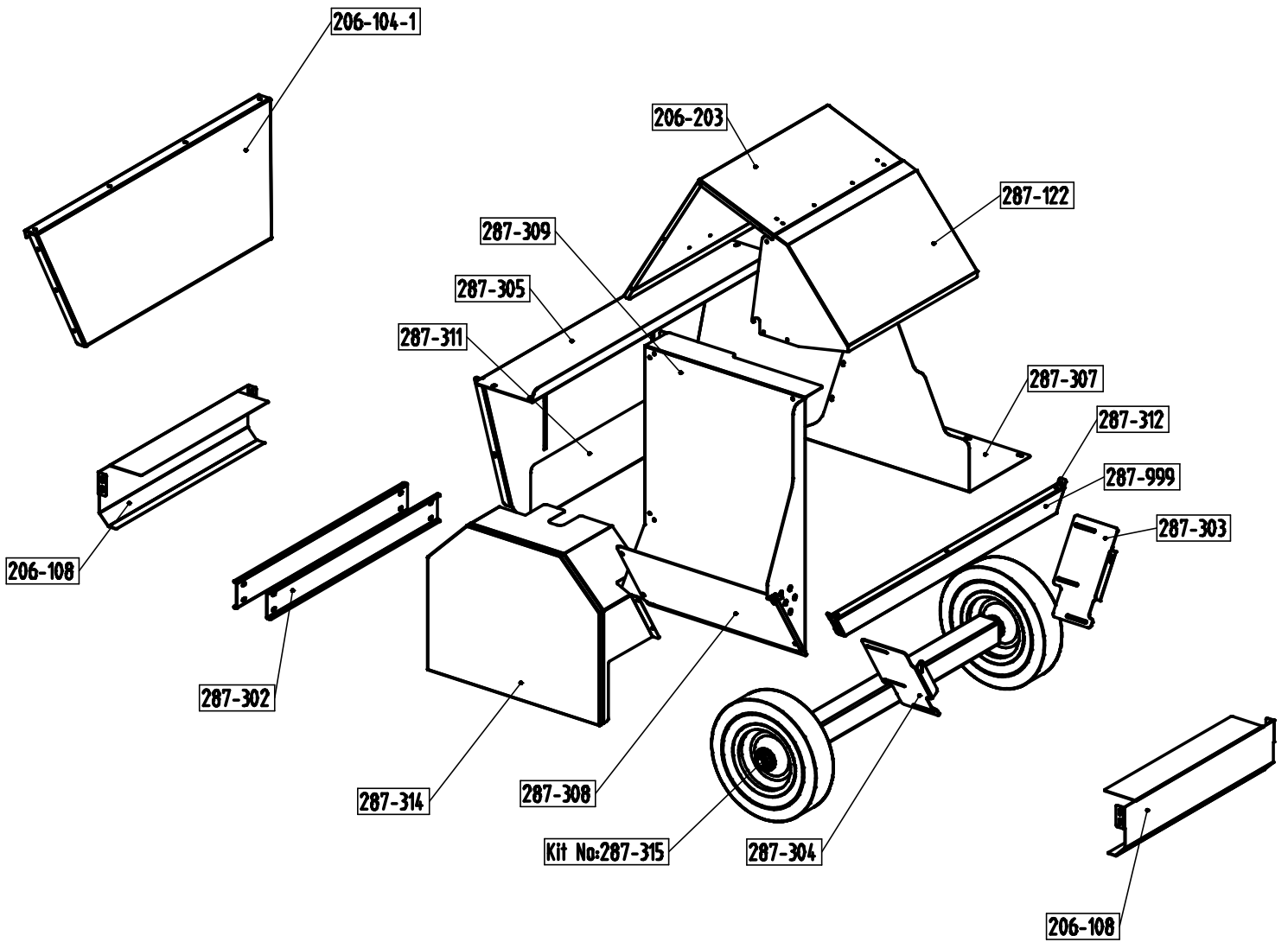




Kit No:
287-300-01



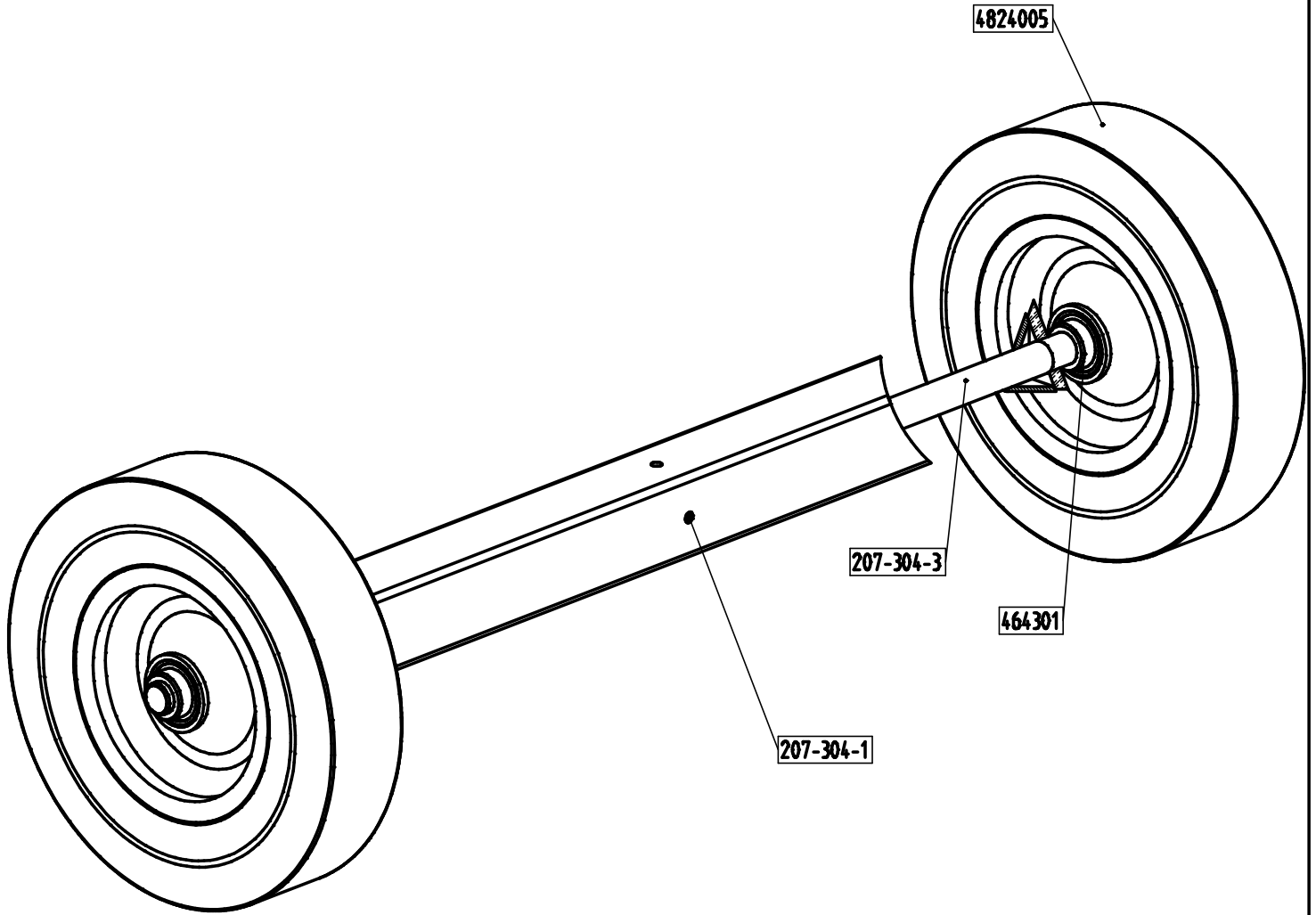
Partner in Growing



Kit No:
287-315



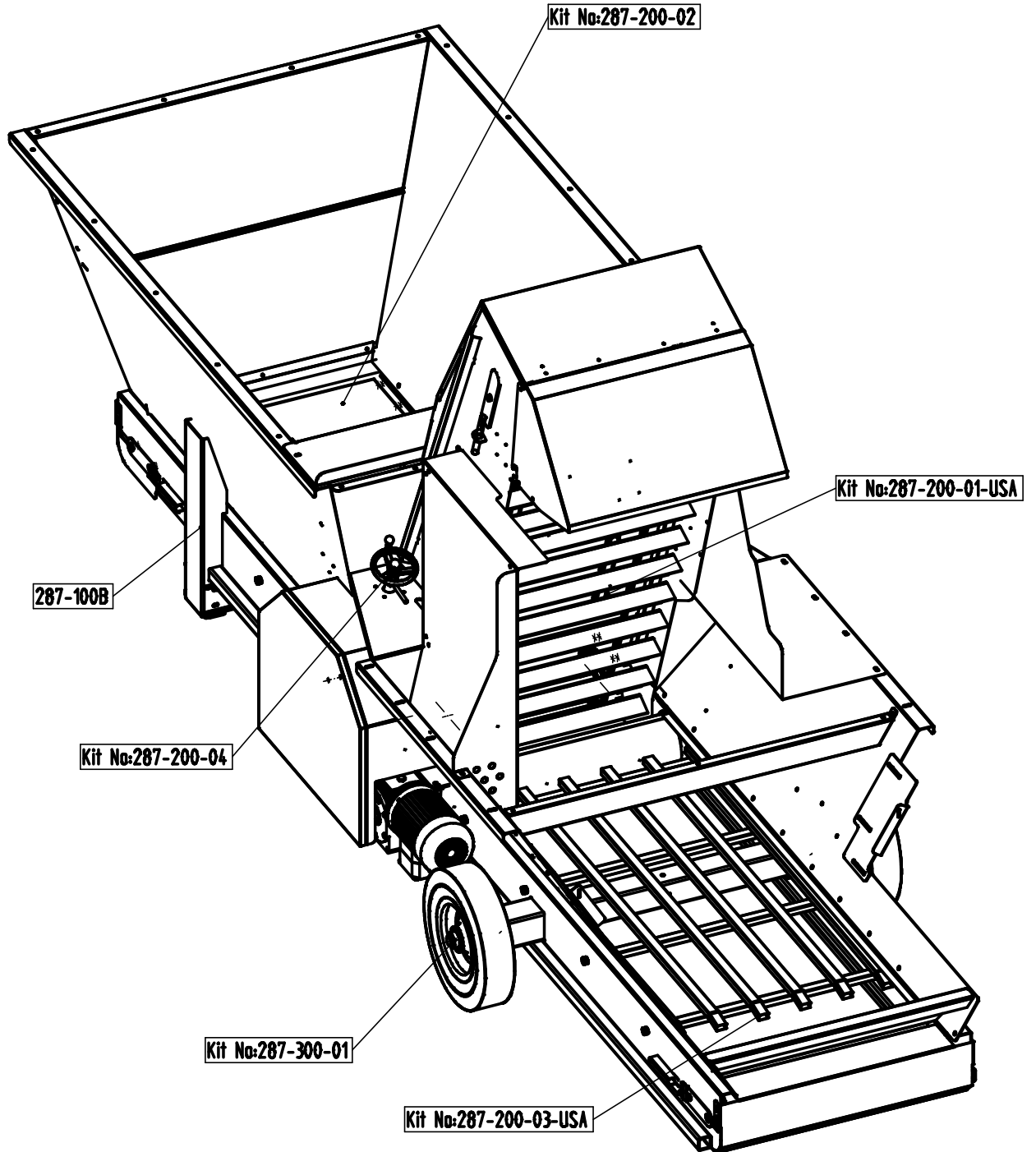
Partner in Growing



Kit No:
287-100-03-USA



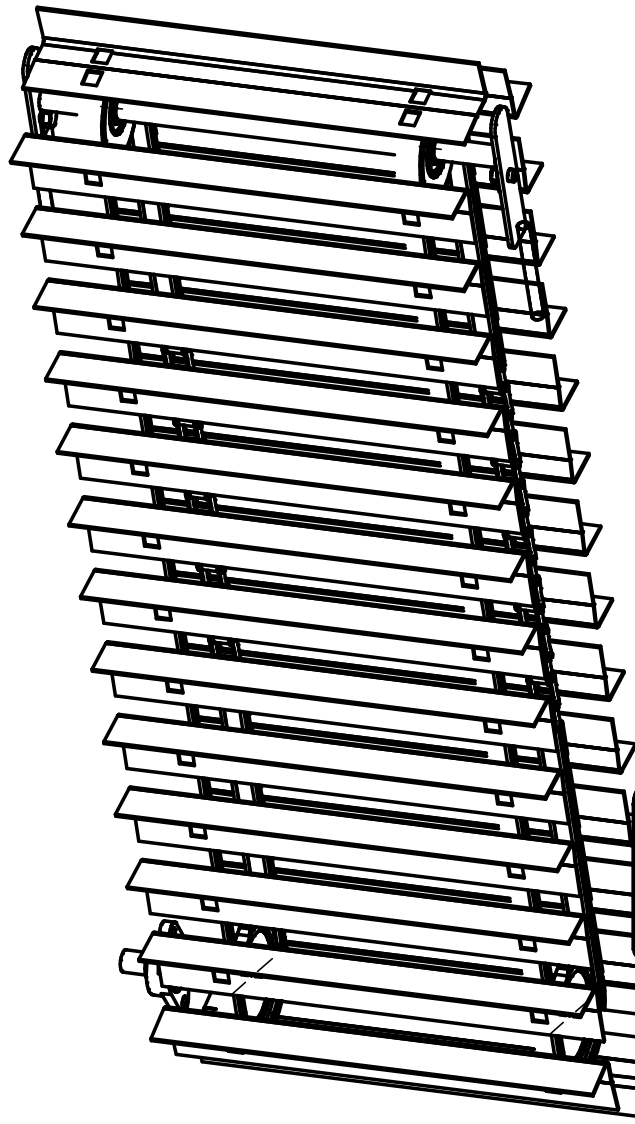
Partner in Growing



Kit No:
287-200-01-USA



Partner in Growing



Kit No:287-204-USA

212-203-9

201-237

206-212

201-237-1

Z

441303

452268

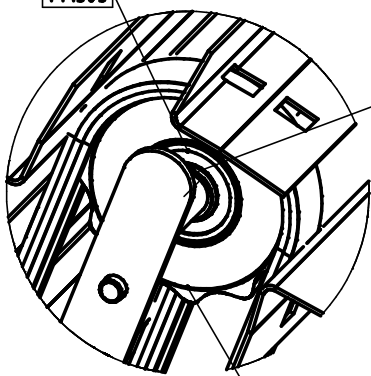
465301

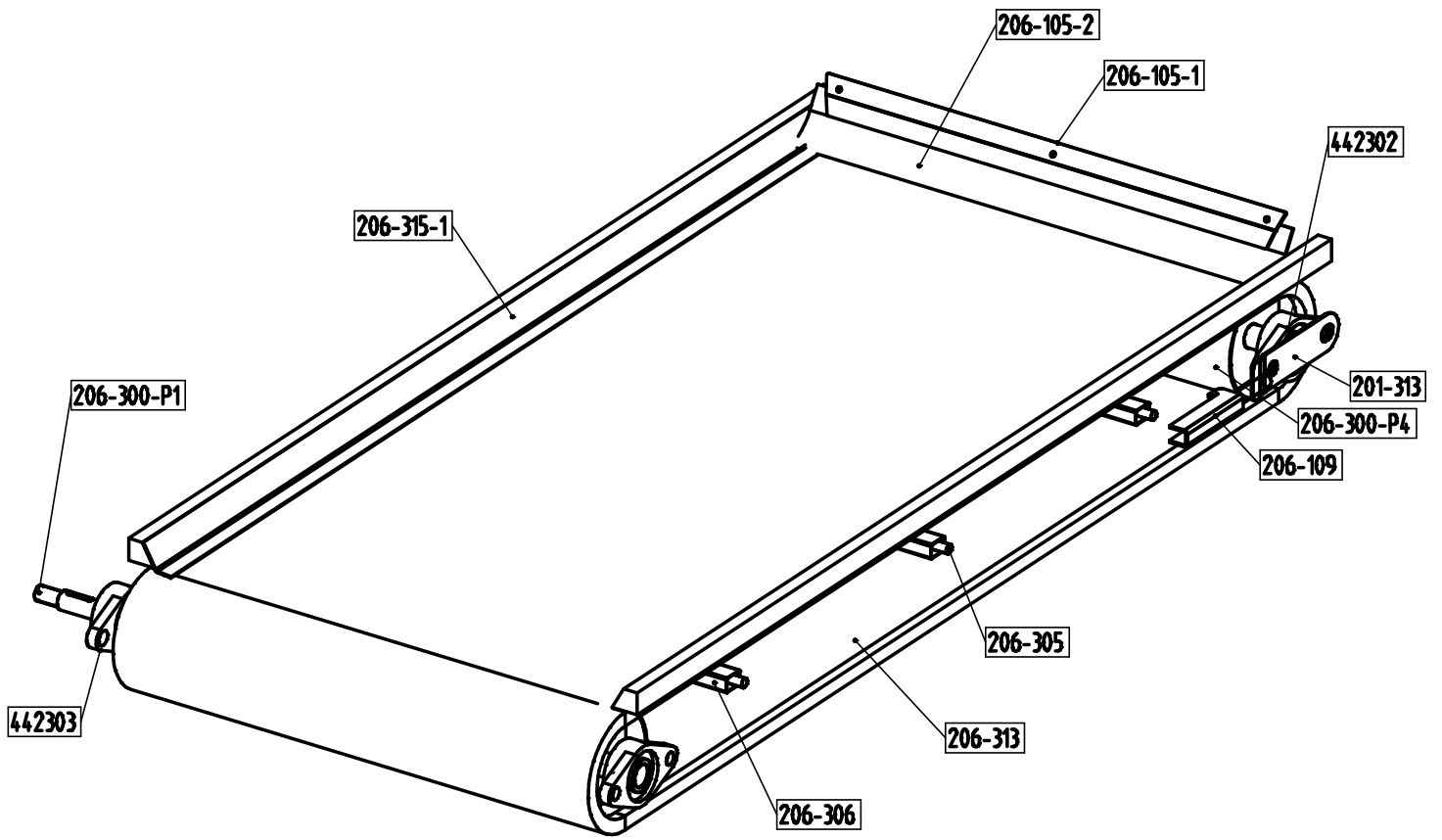
206-213

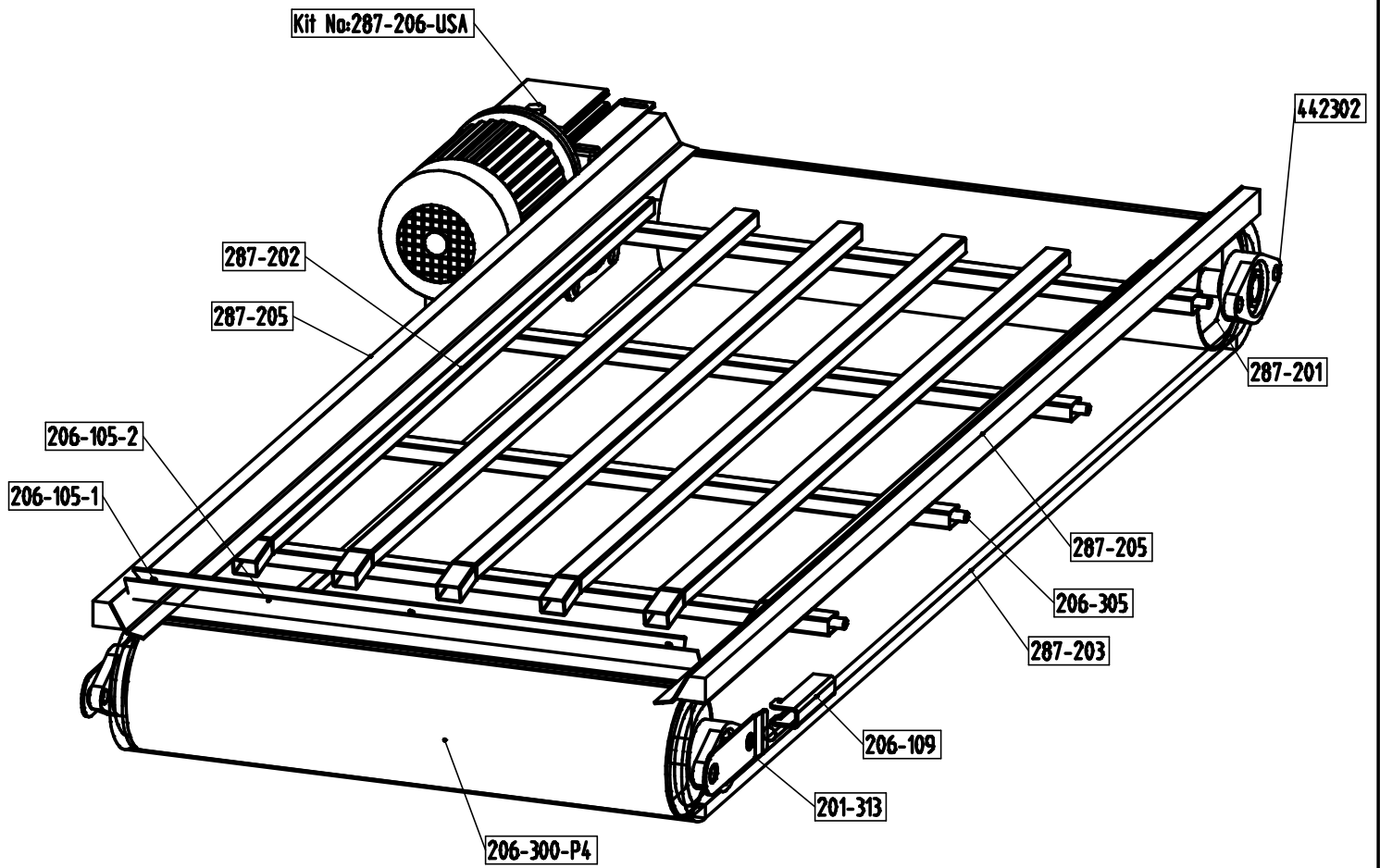
201-218

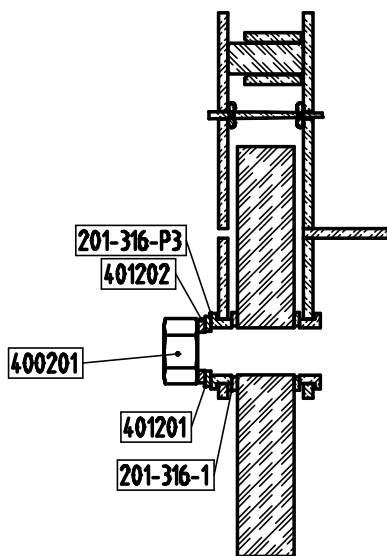
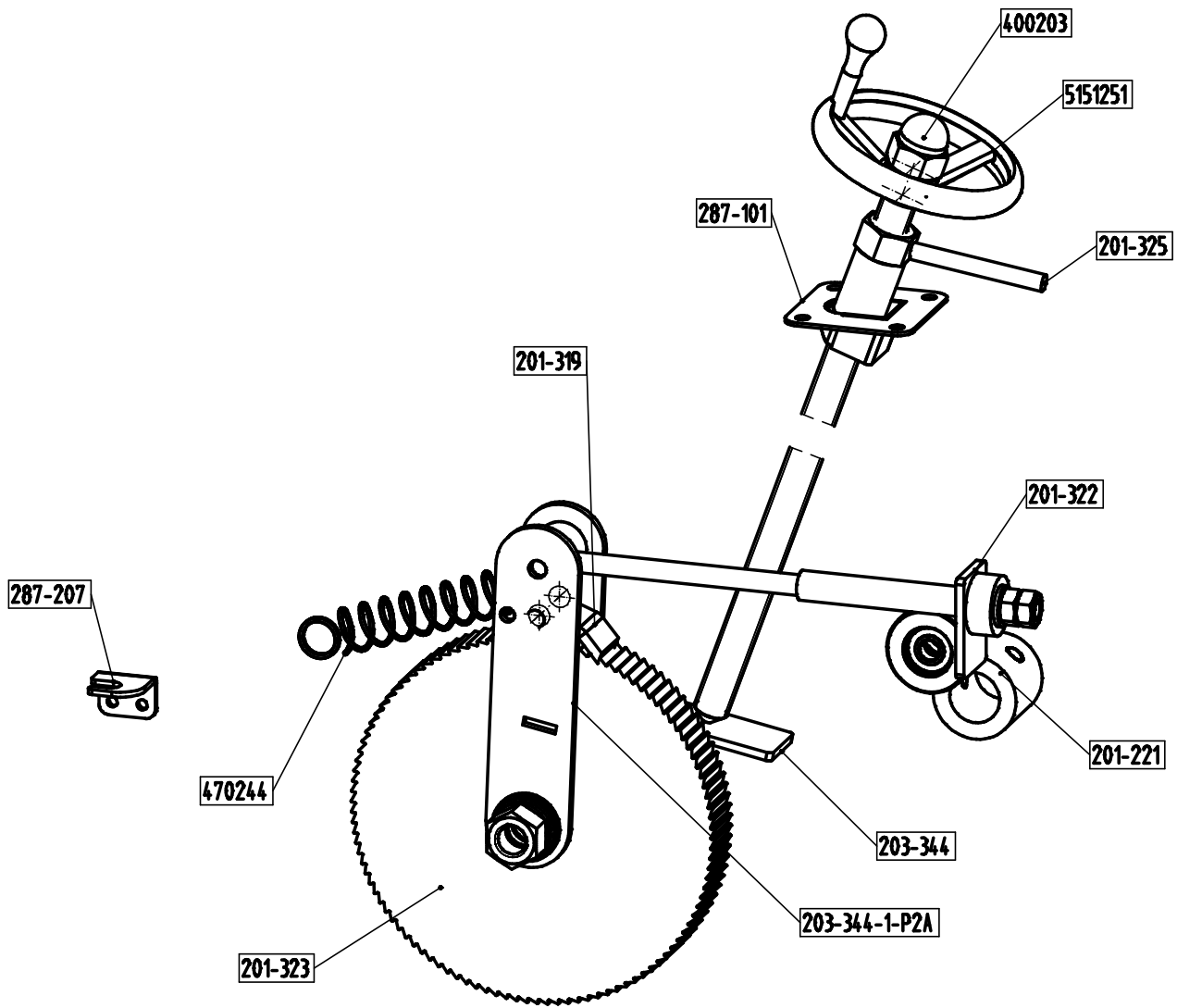
206-210

442301





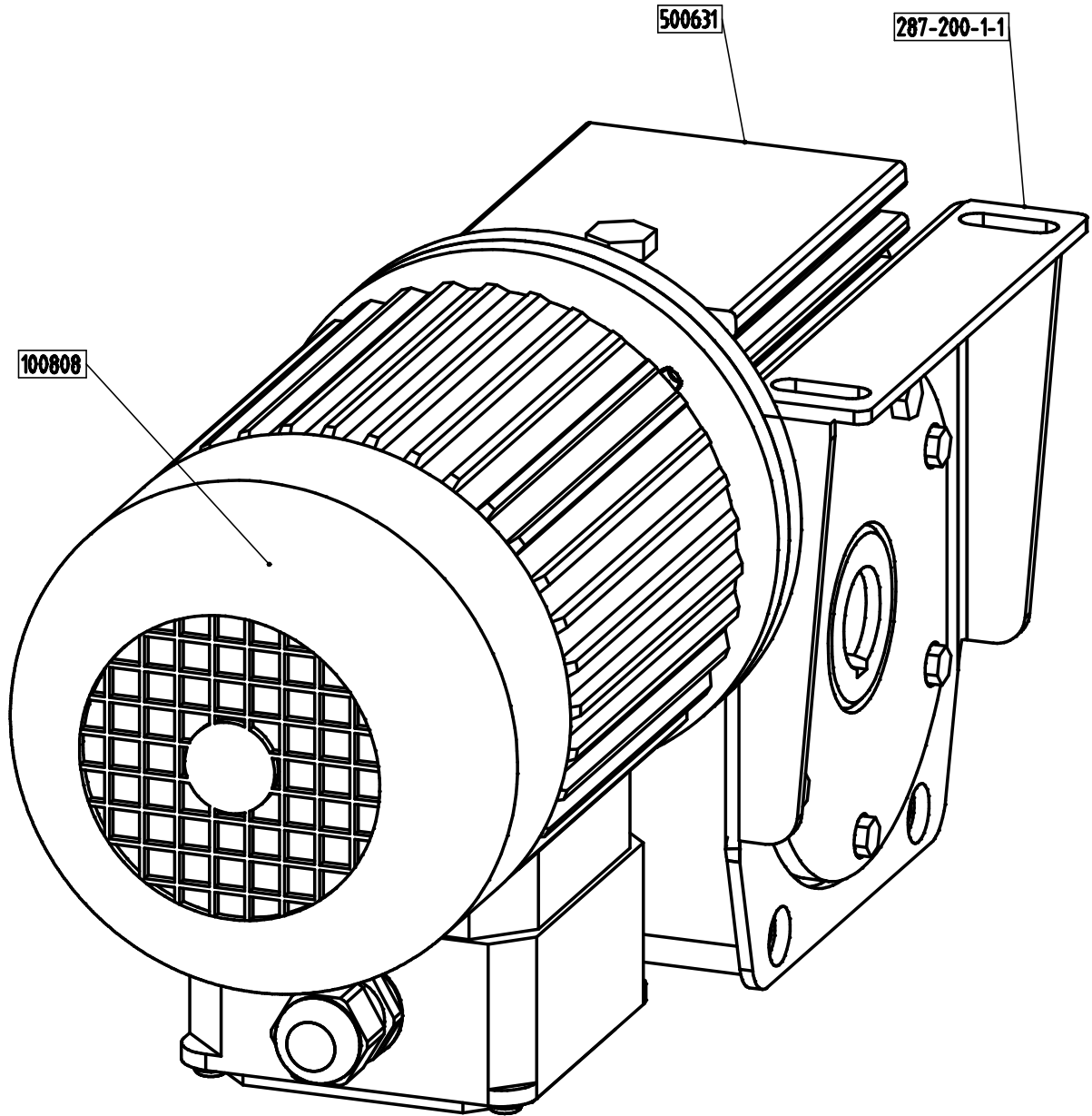




Kit No:
287-206-USA



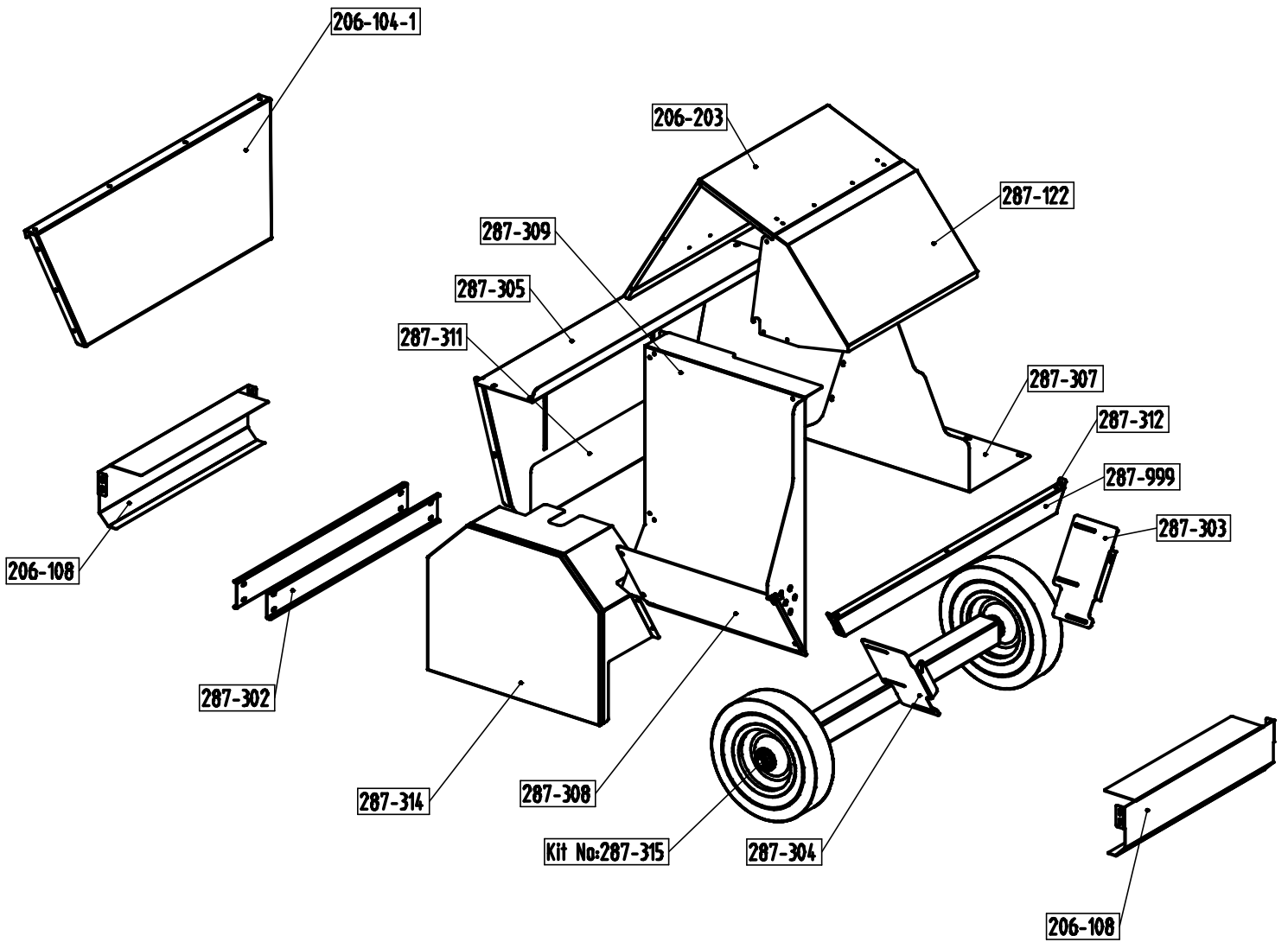
Partner in Growing



Kit No:
287-300-01



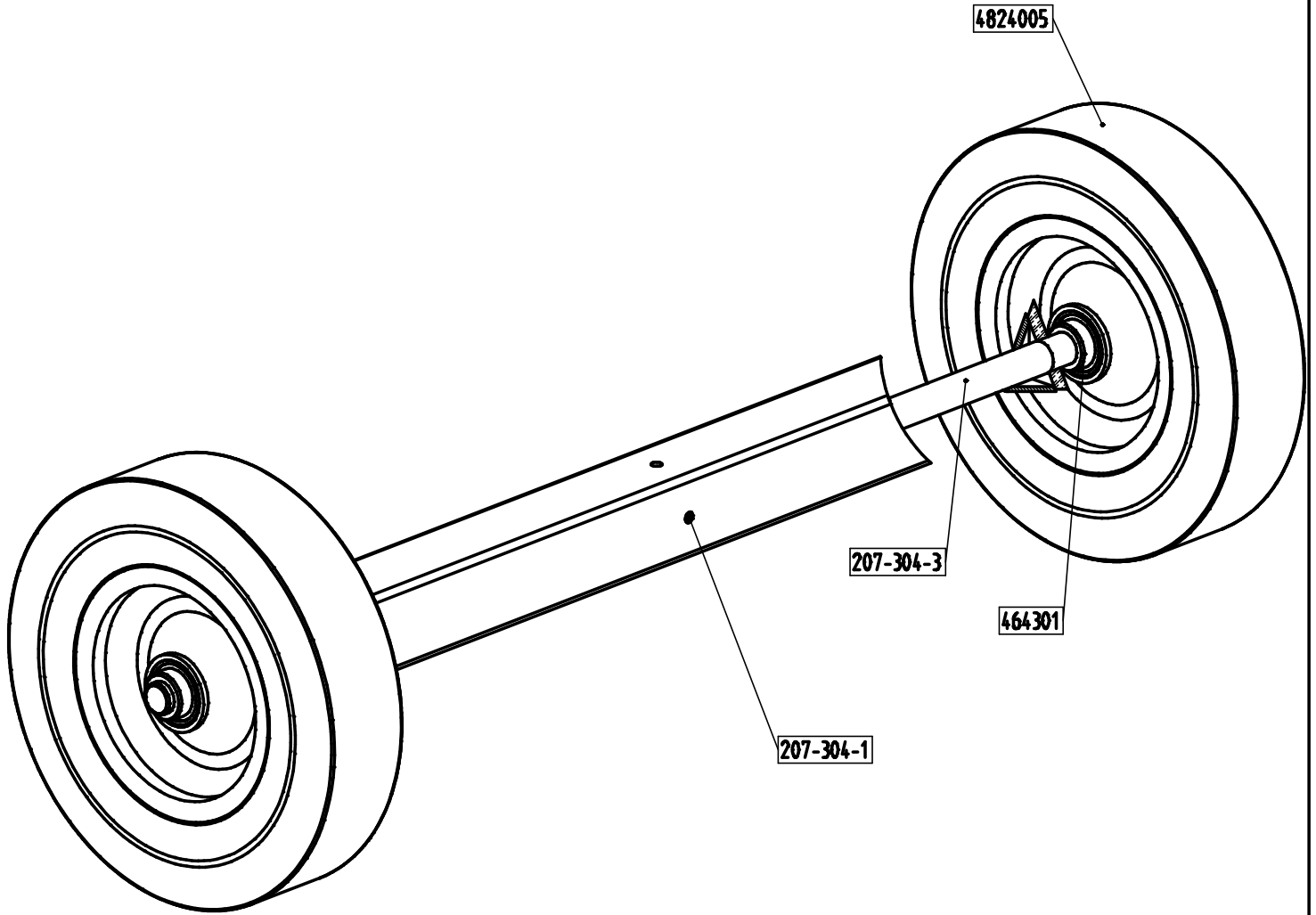
Partner in Growing

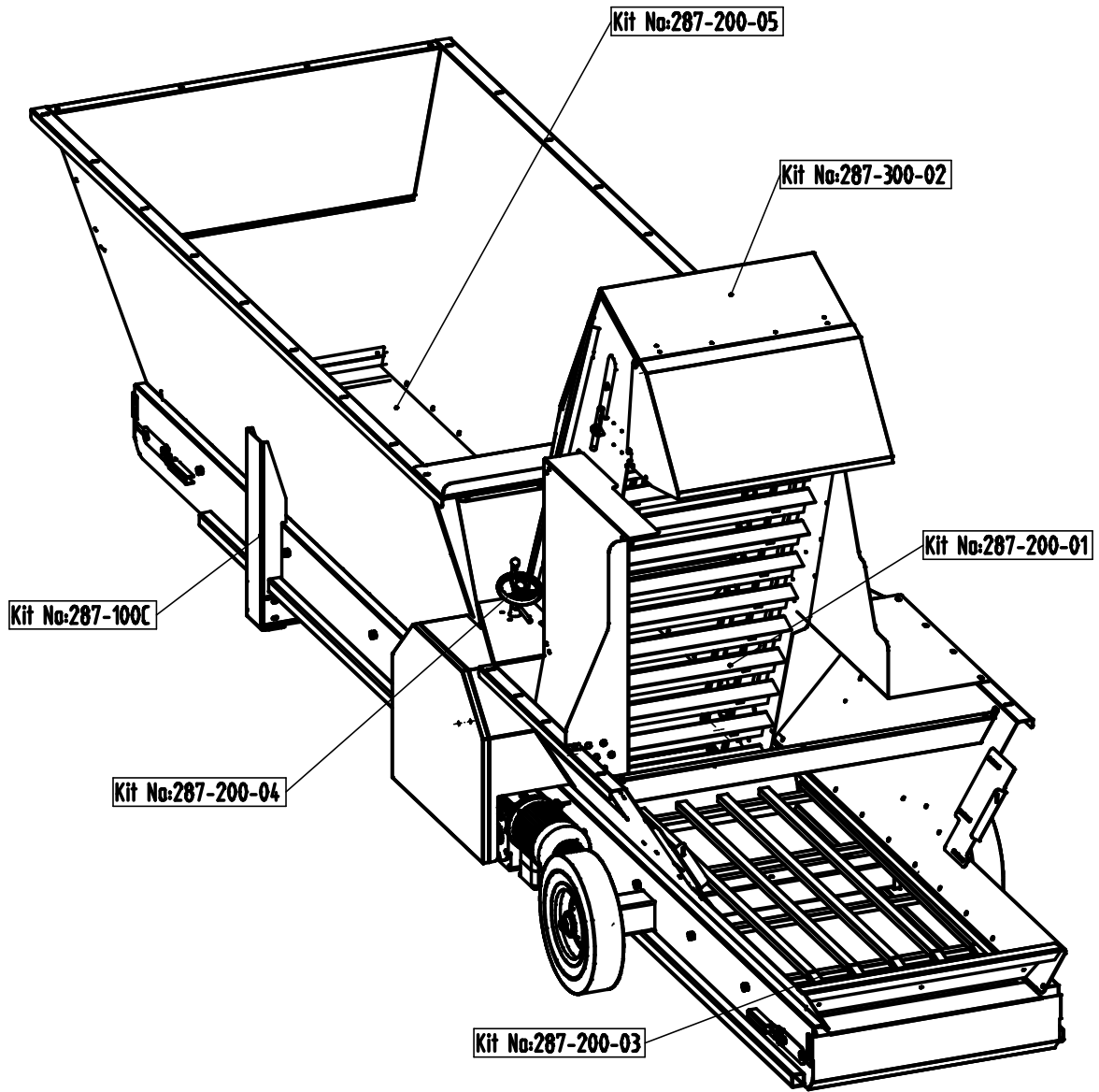


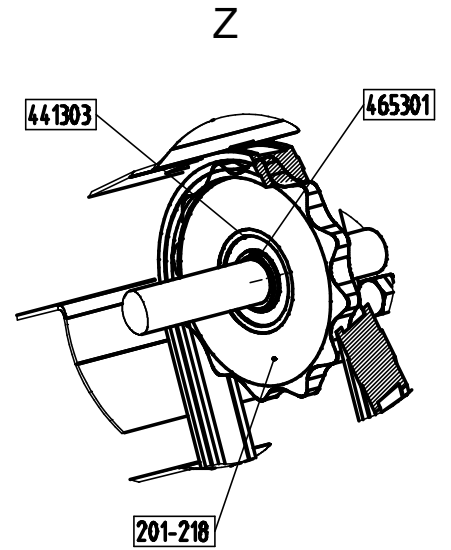
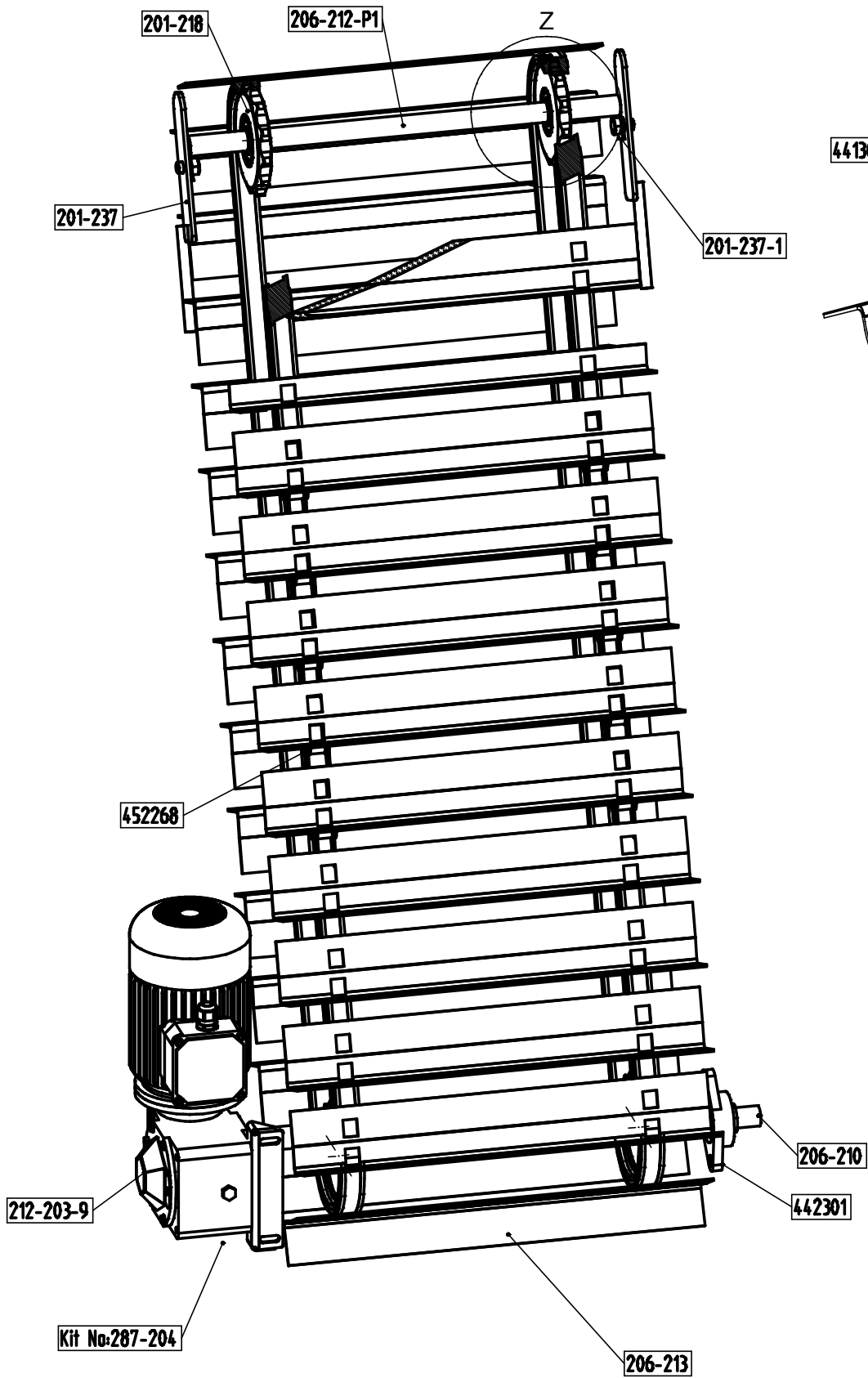
Kit No:
287-315



Partner in Growing



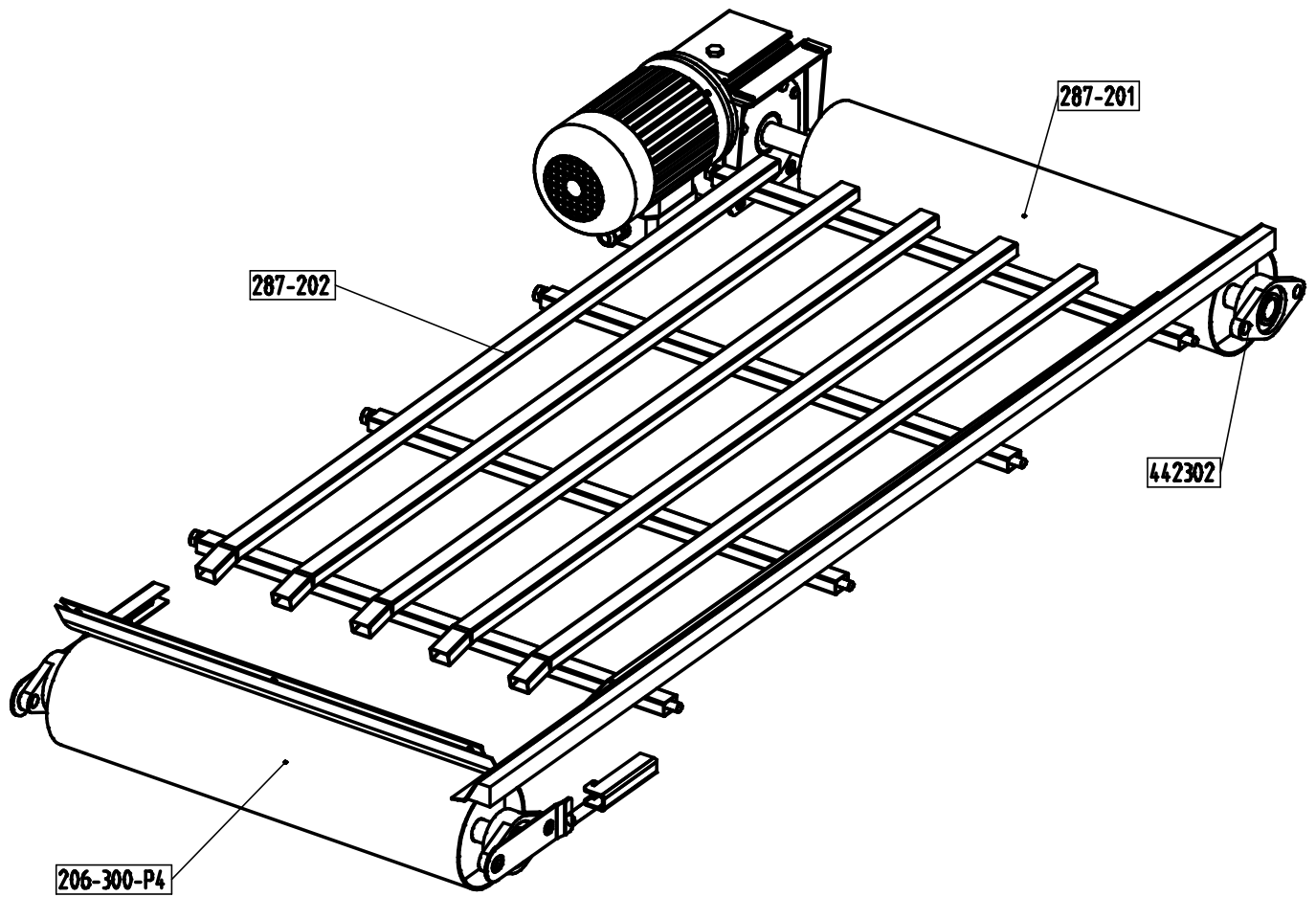
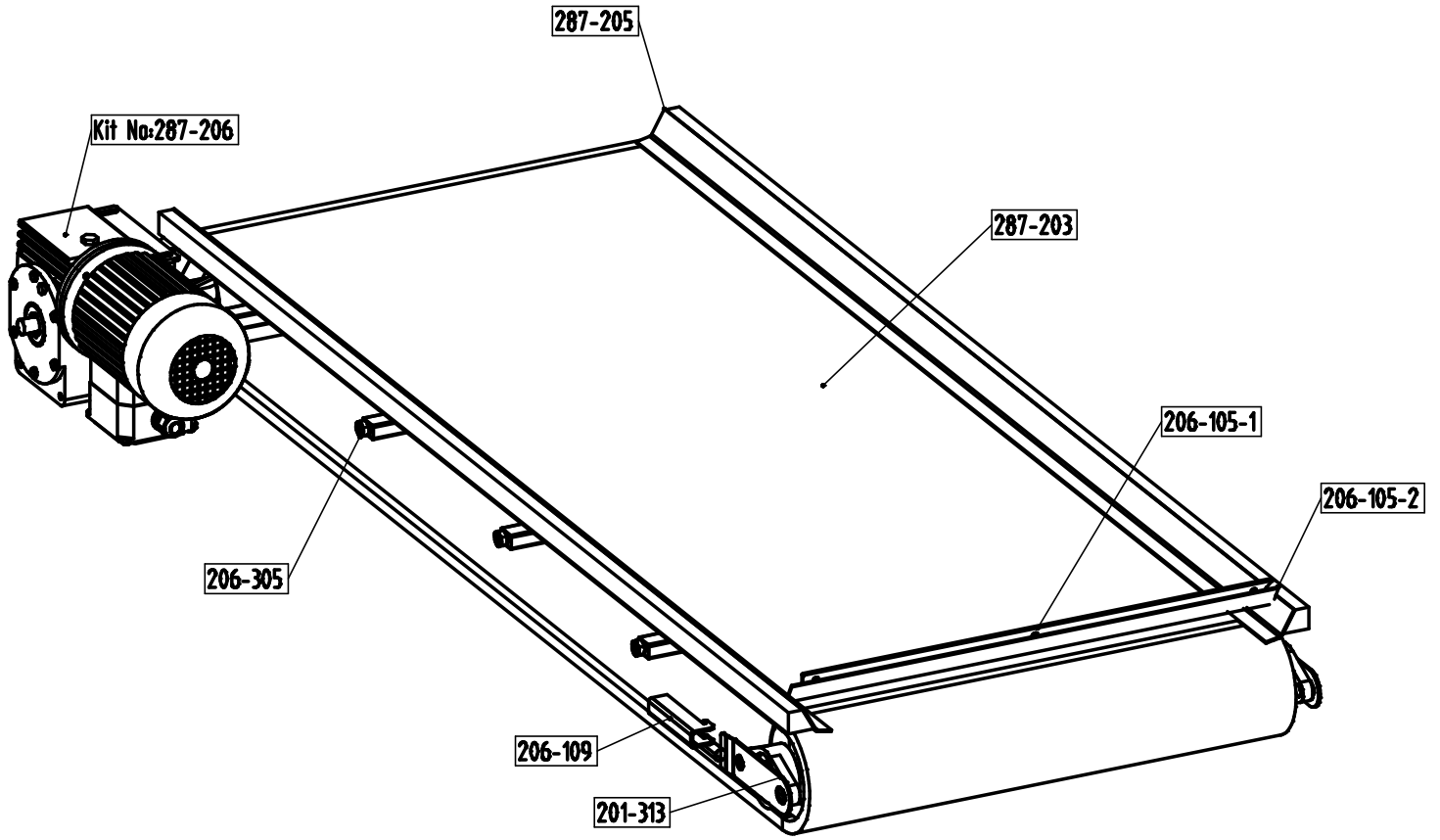


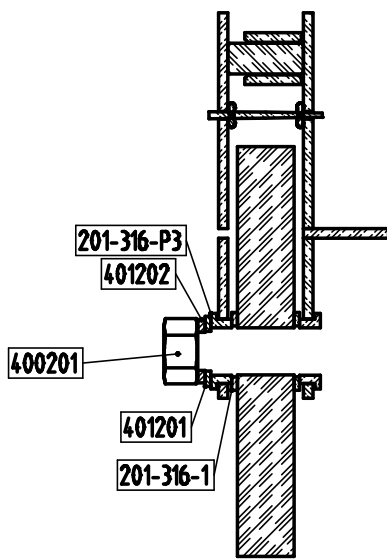
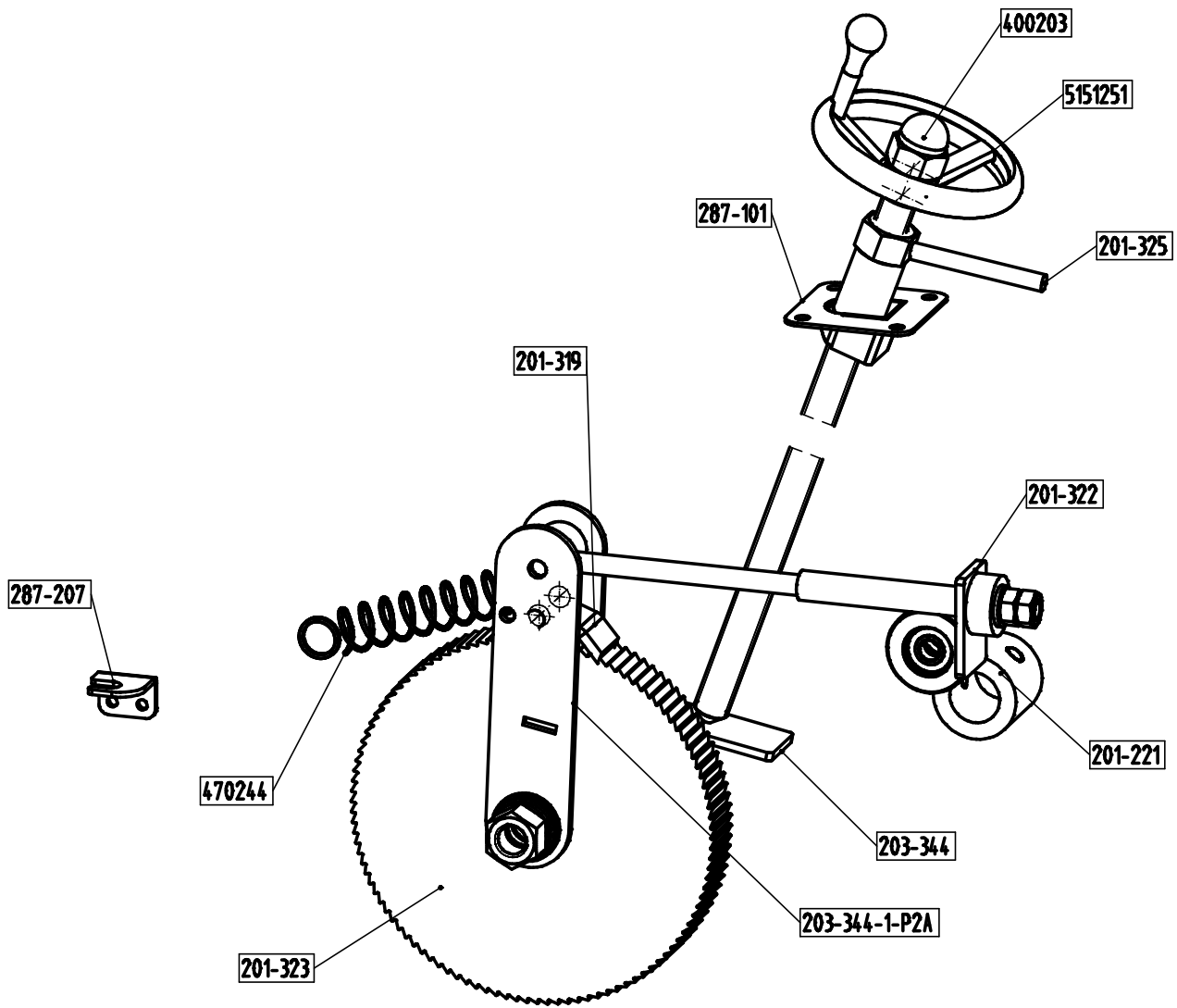


Kit No:
287-200-03



Partner in Growing

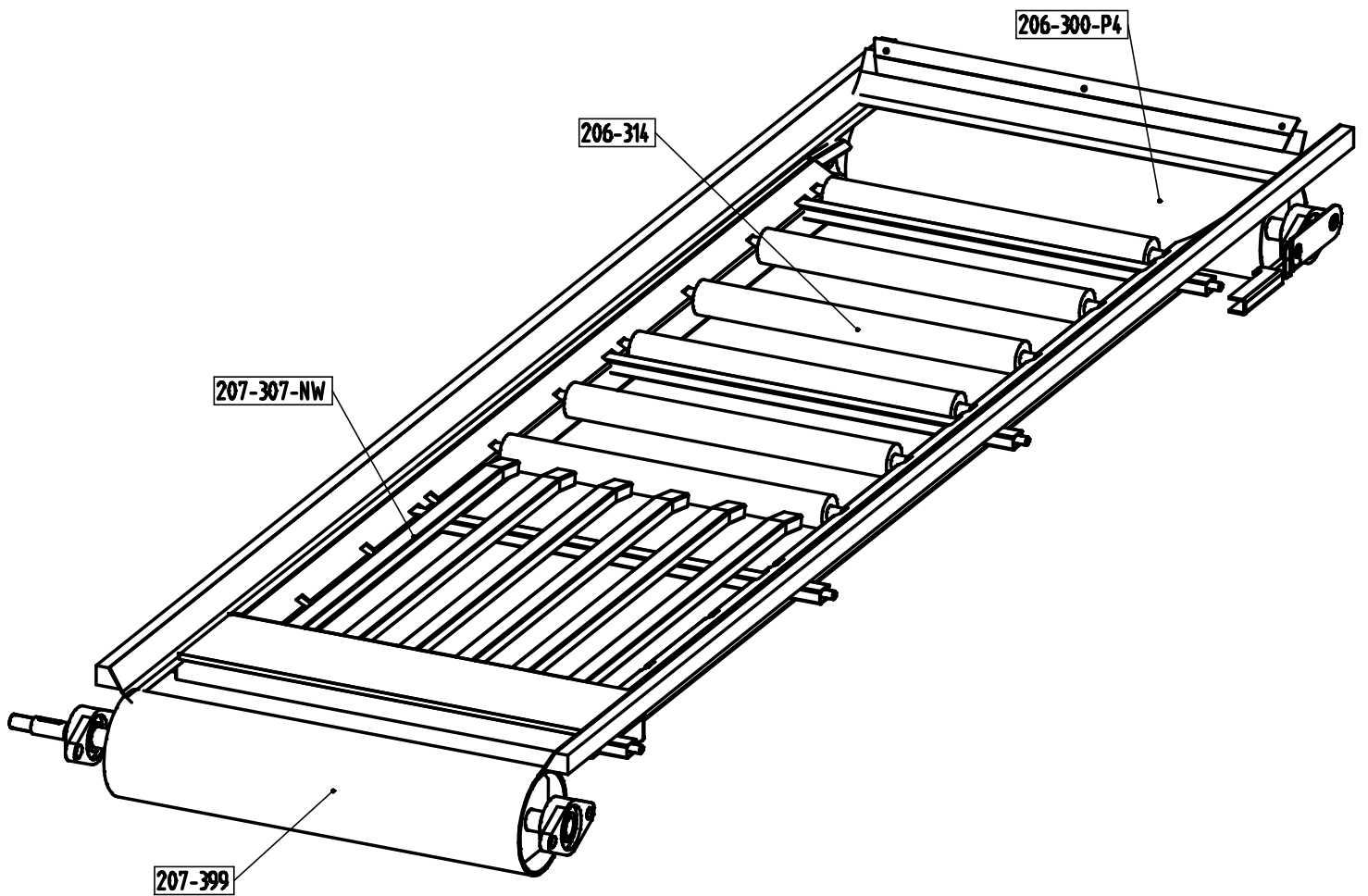
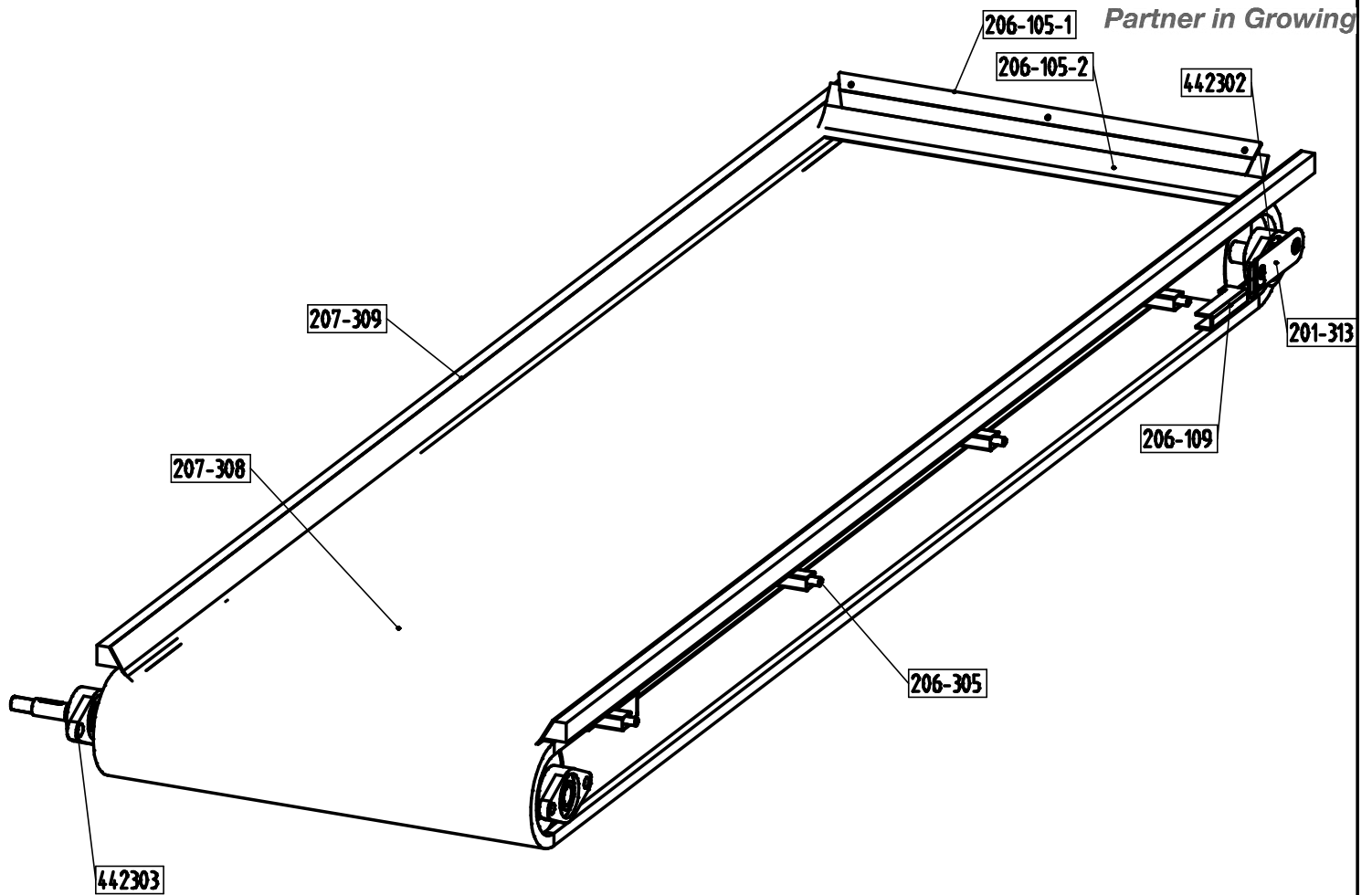


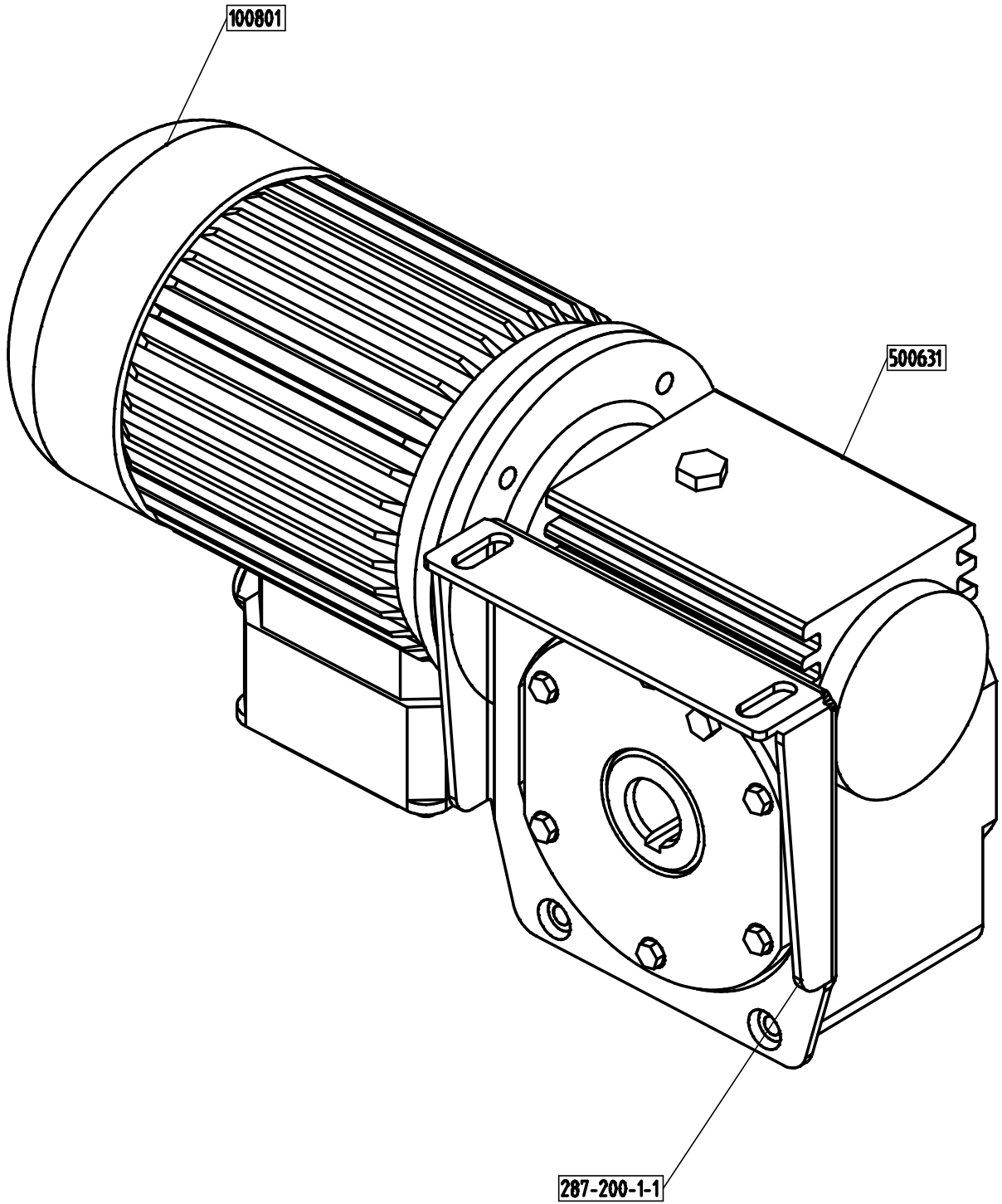


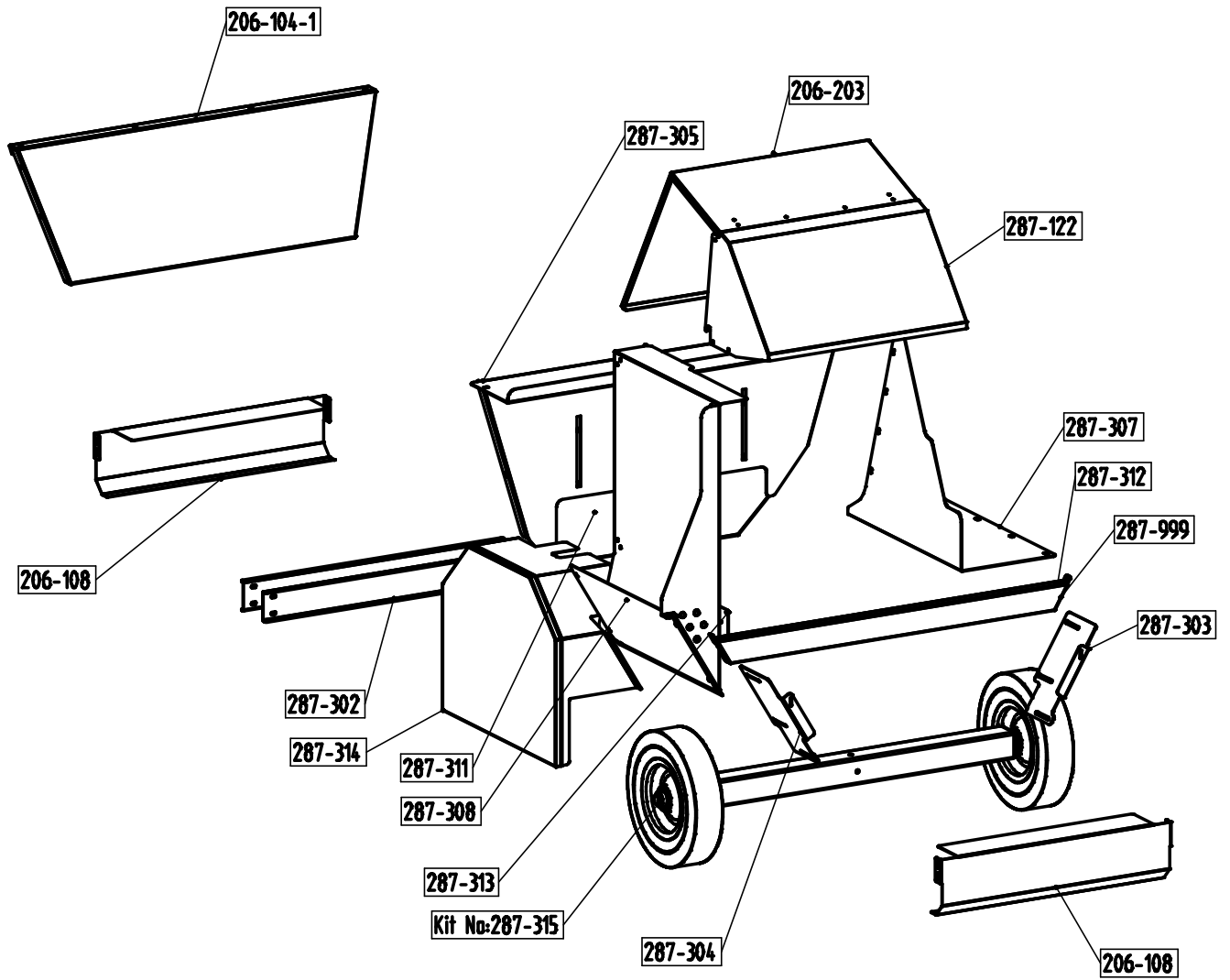
Kit No:
287-200-05



Partner in Growing



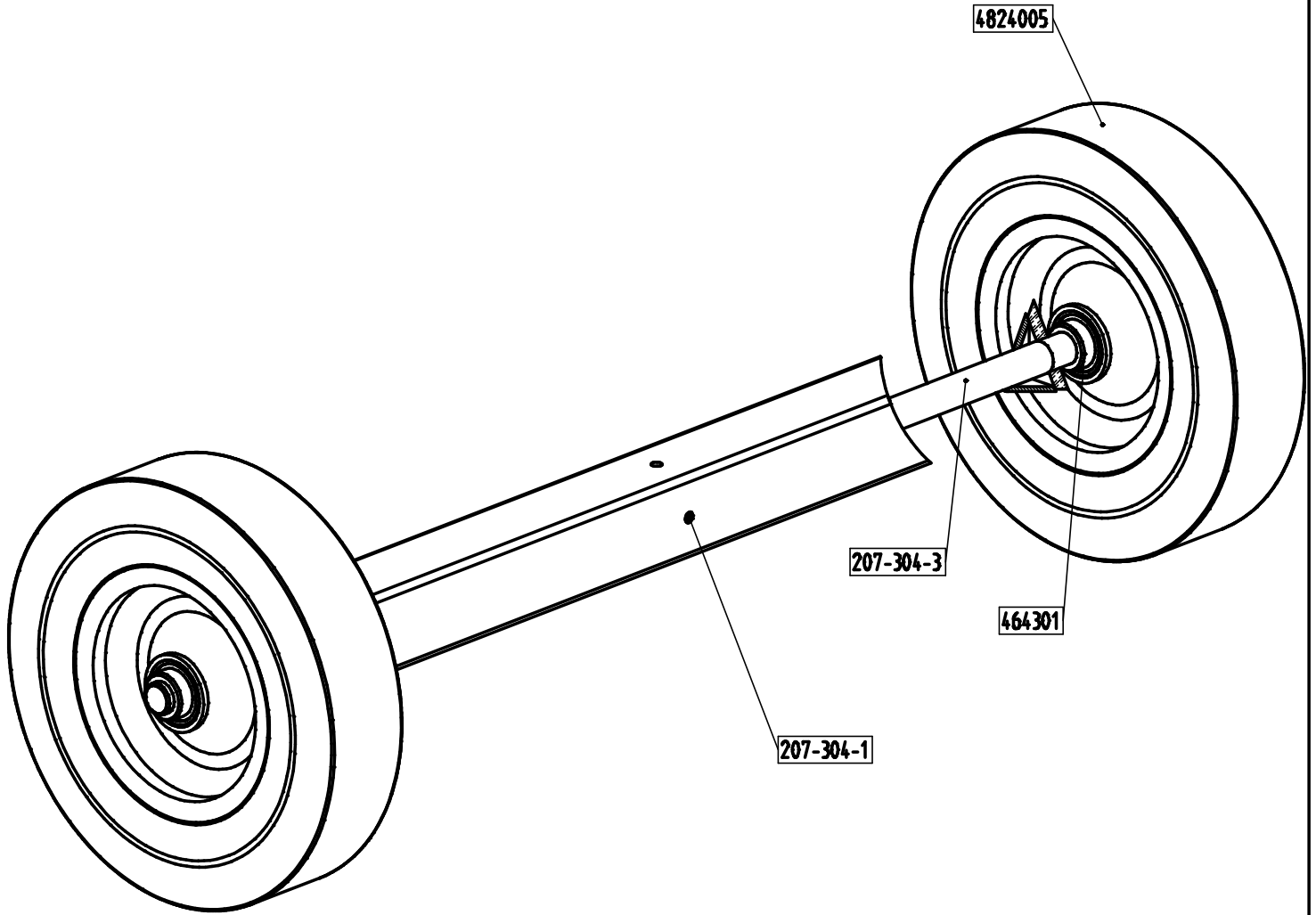




Kit No:
287-315



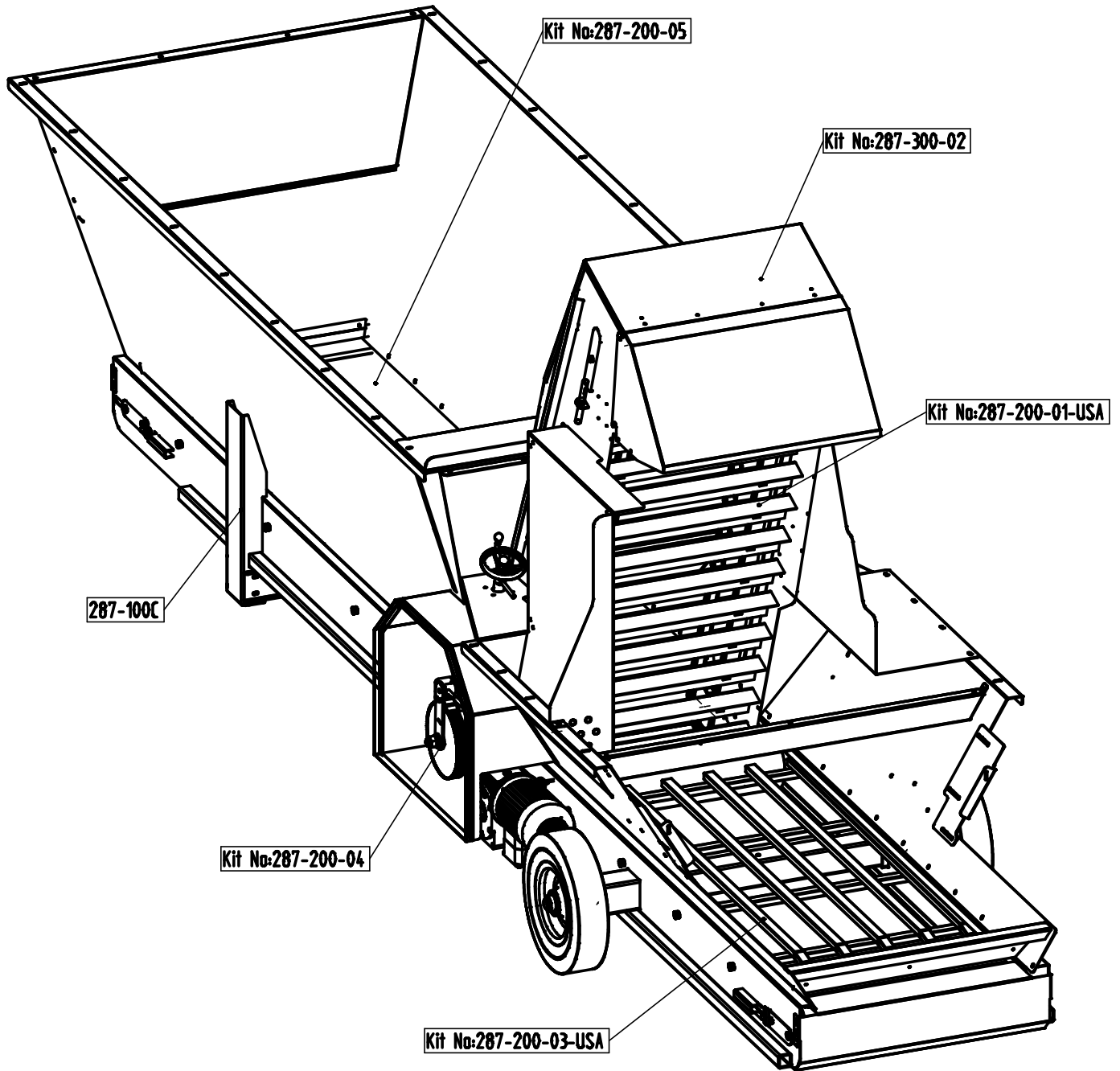
Partner in Growing



Kit No:
287-100-04-USA



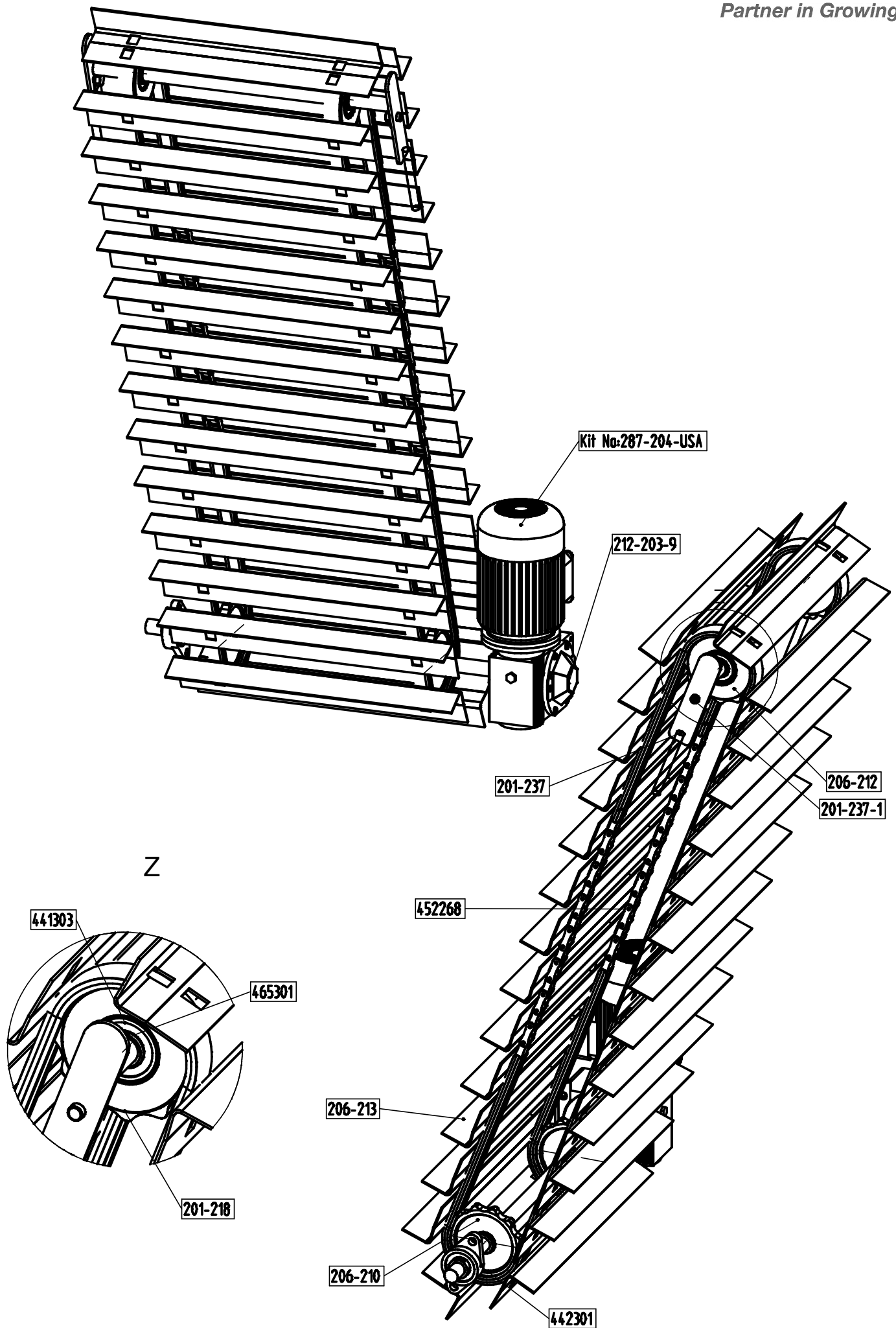
Partner in Growing

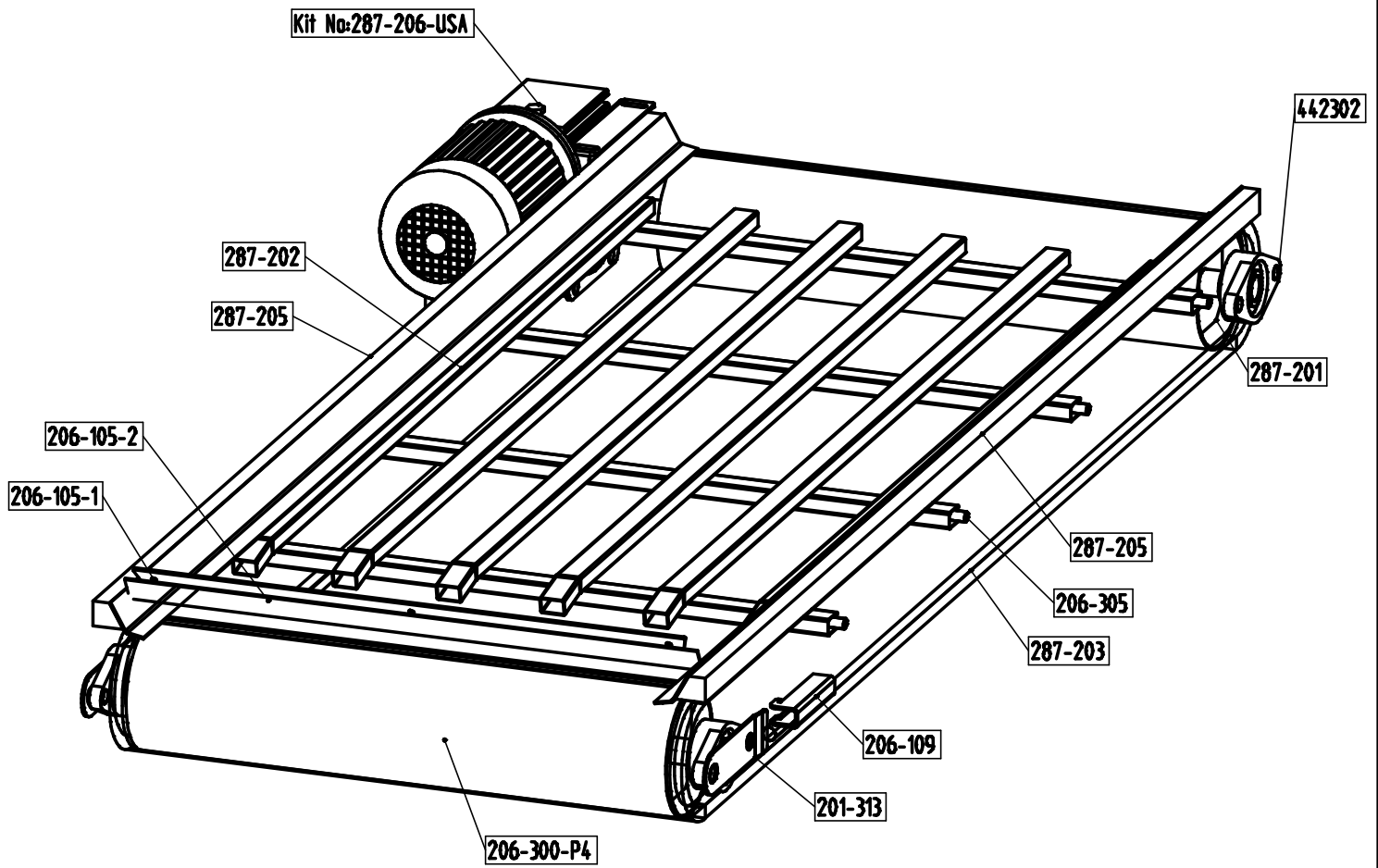


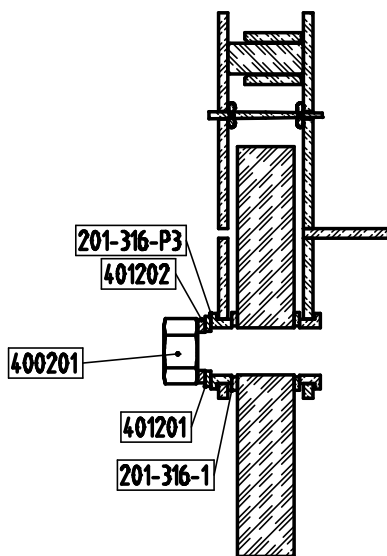
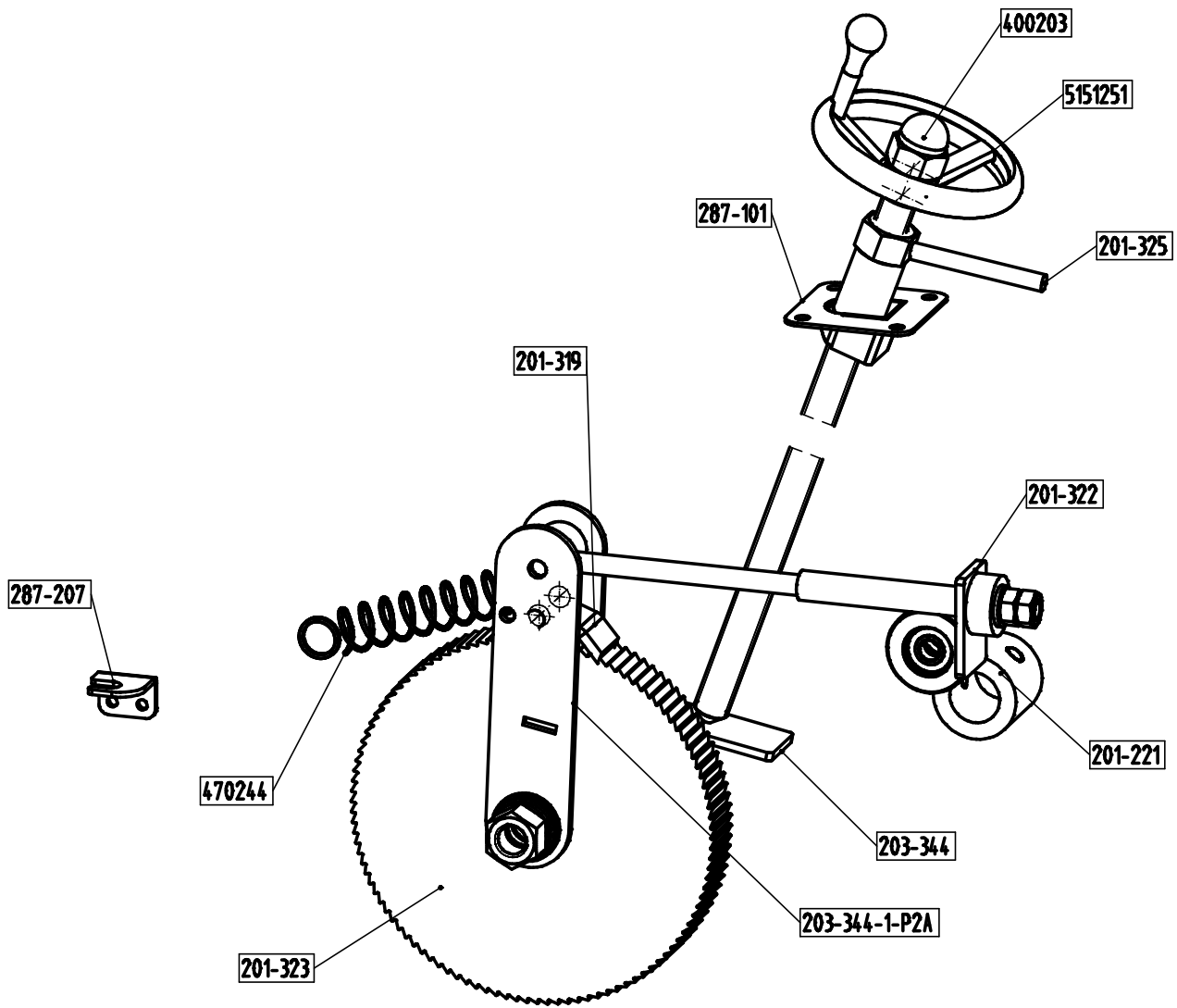
Kit No:
287-200-01-USA



Partner in Growing



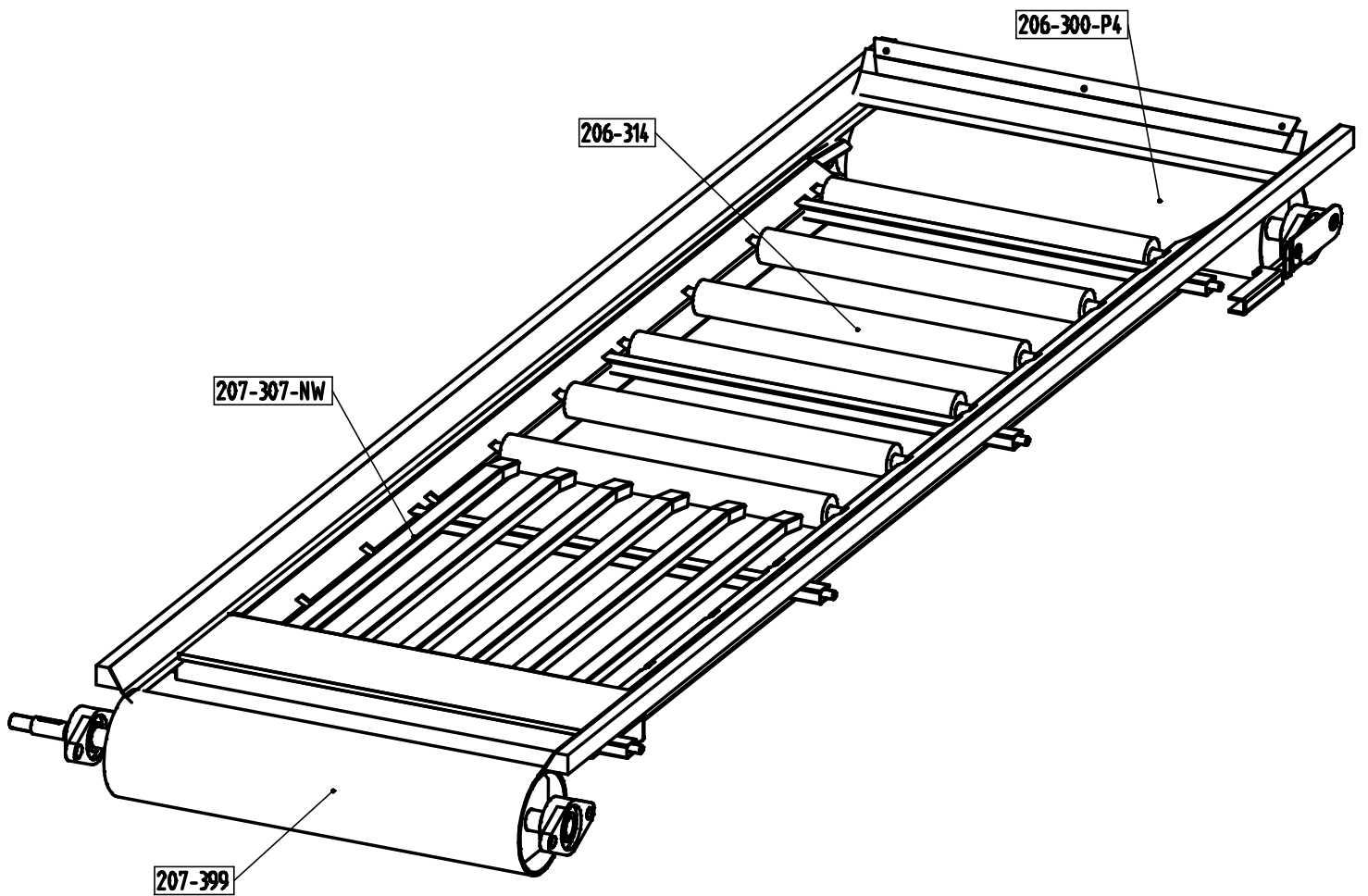
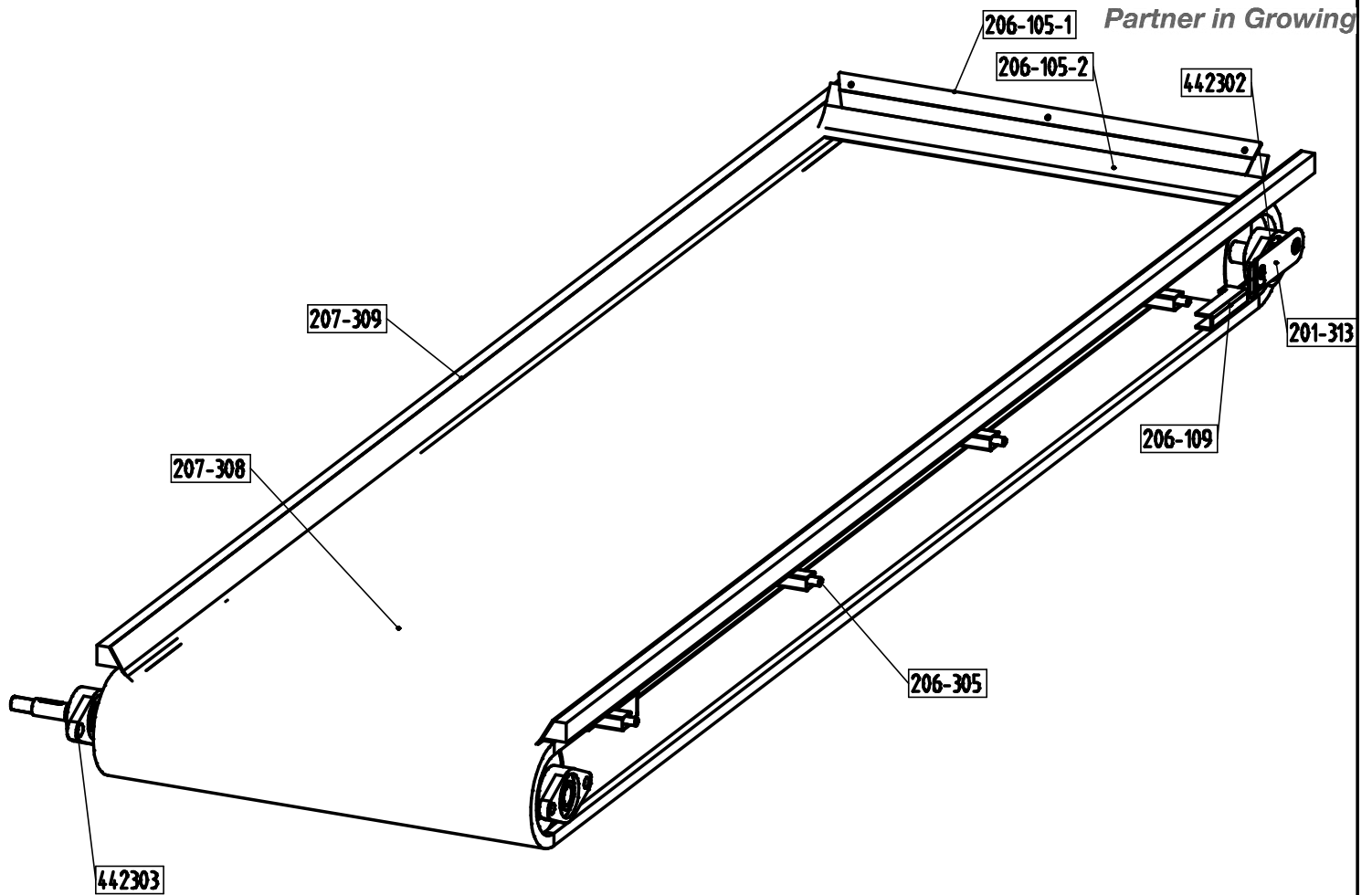




Kit No:
287-200-05



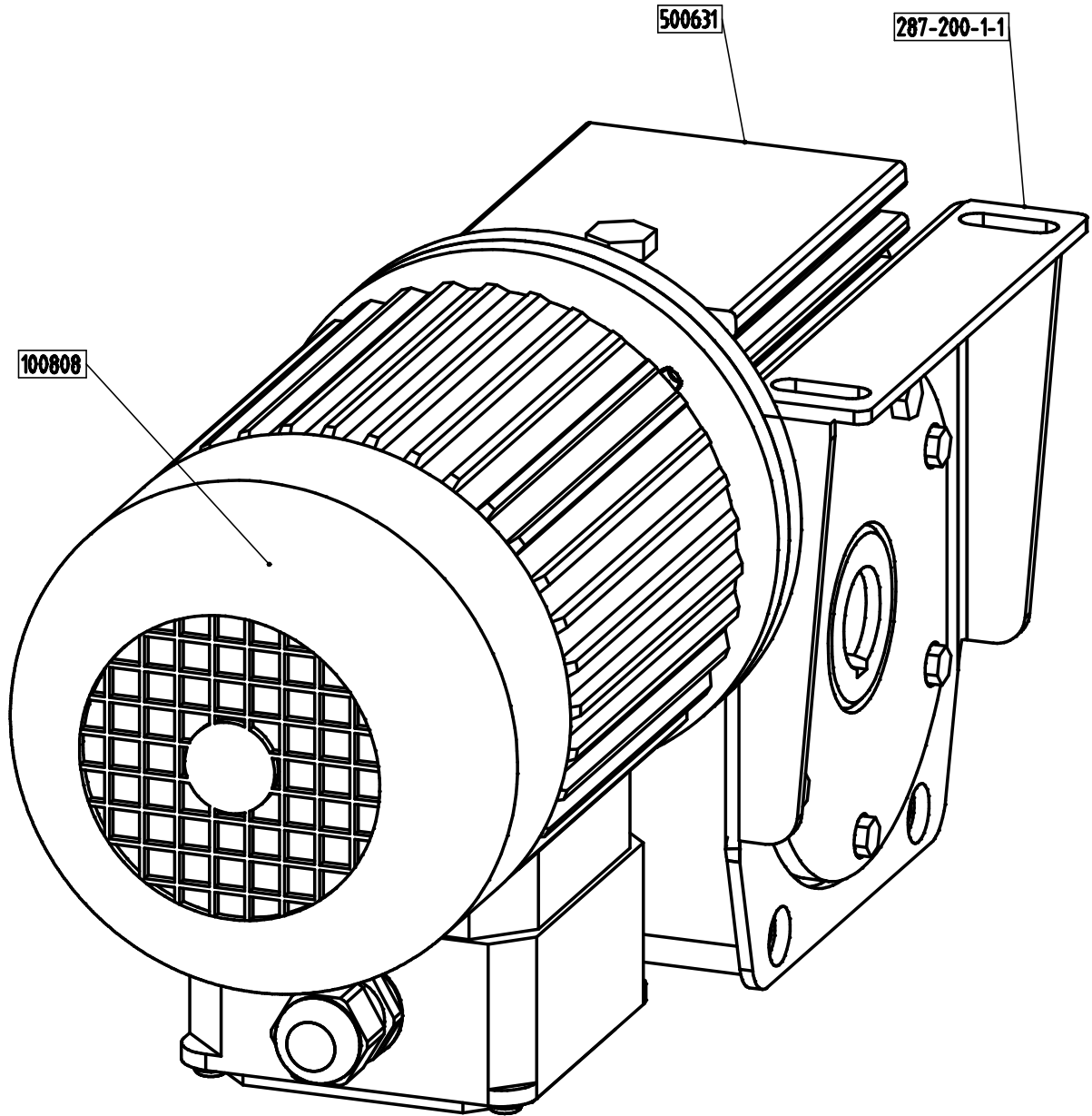
Partner in Growing

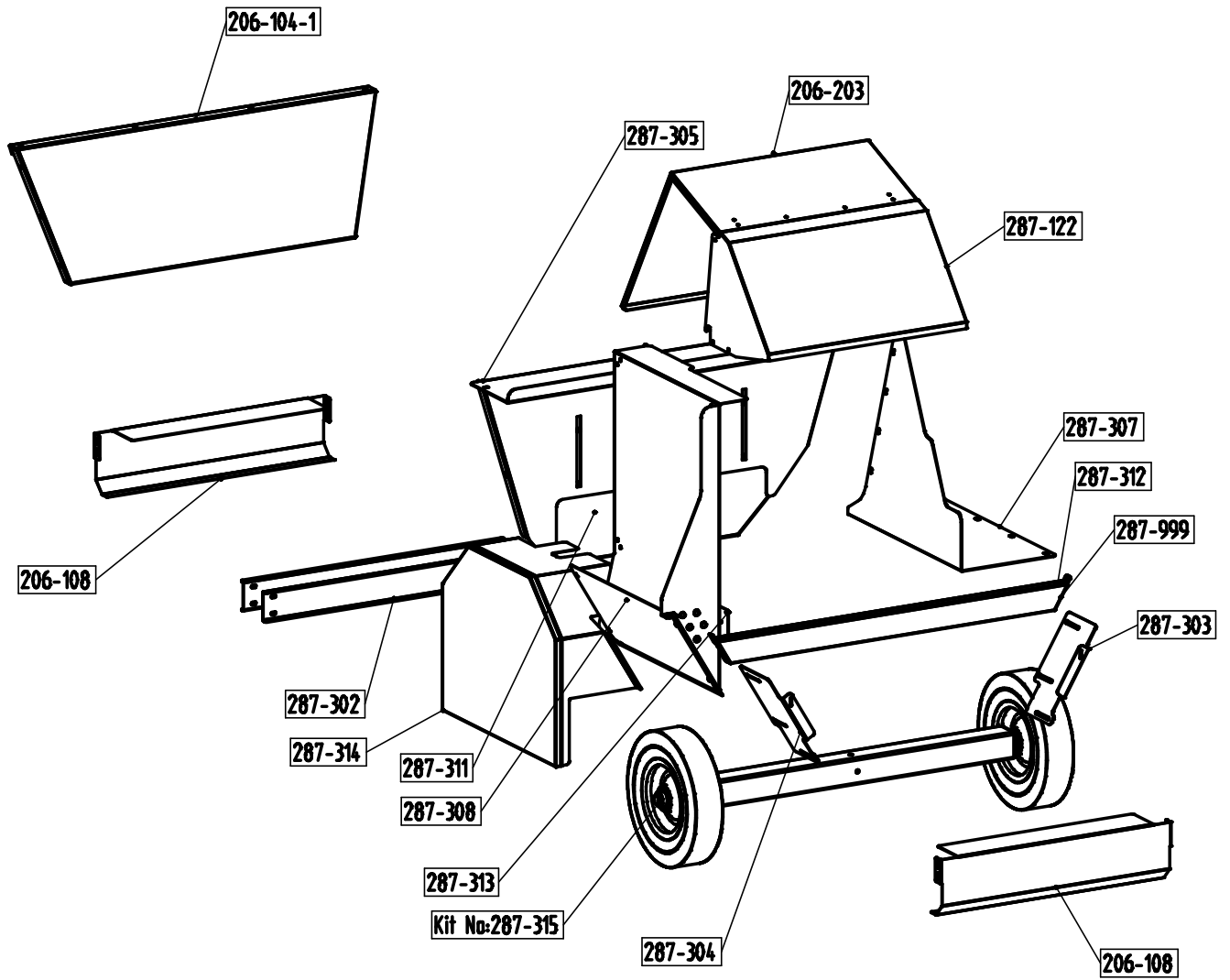


Kit No:
287-206-USA



Partner in Growing

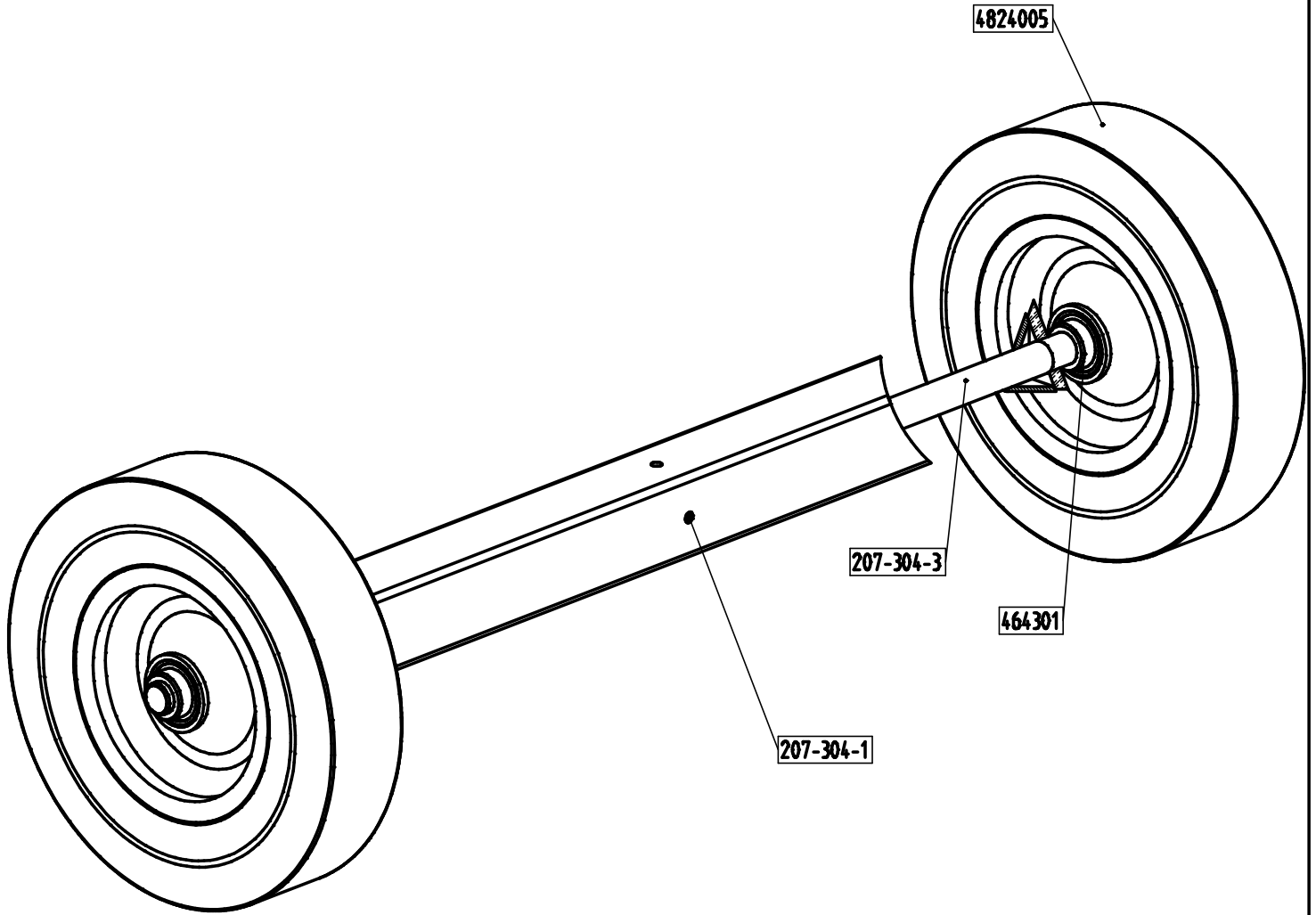


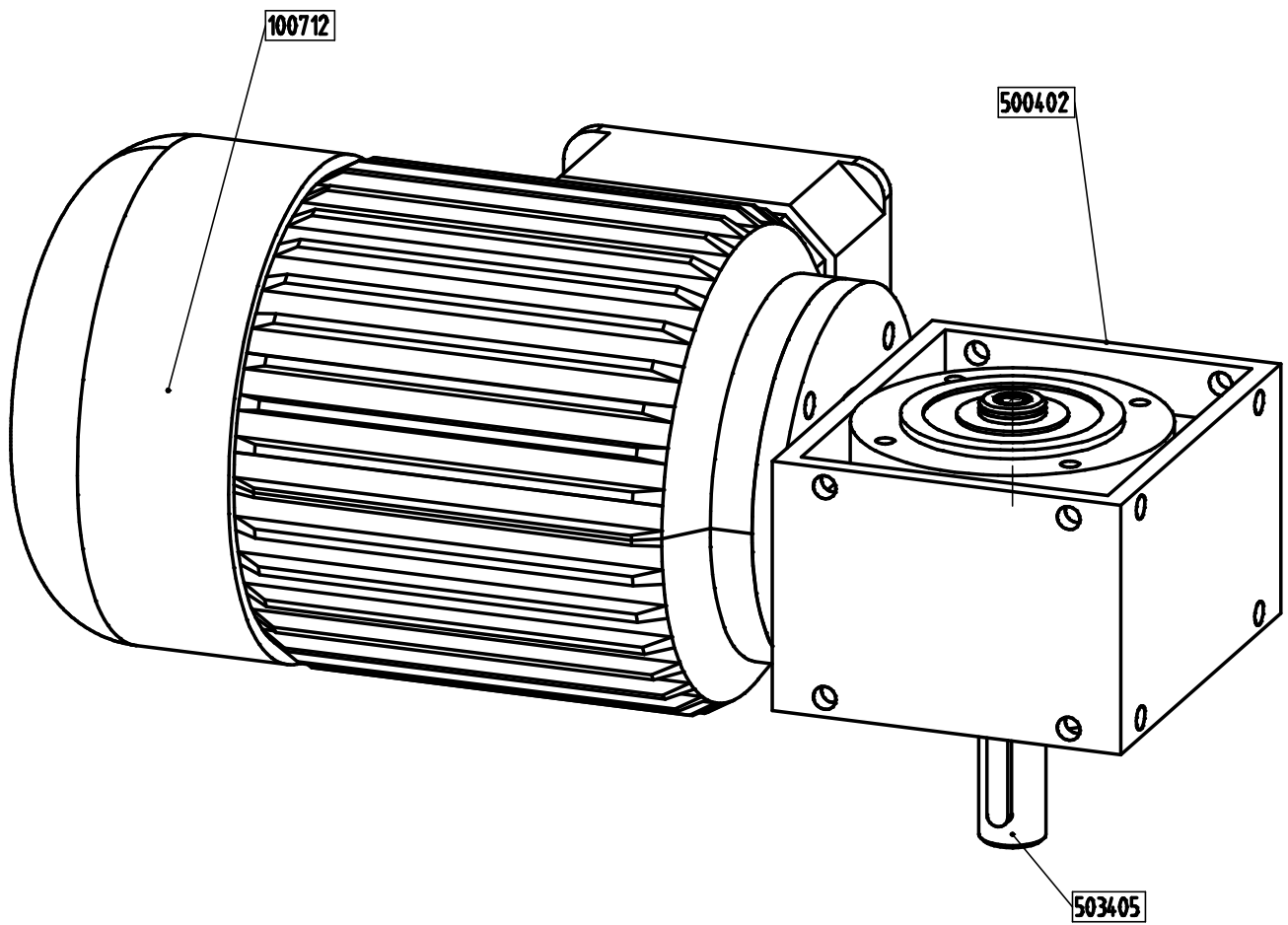


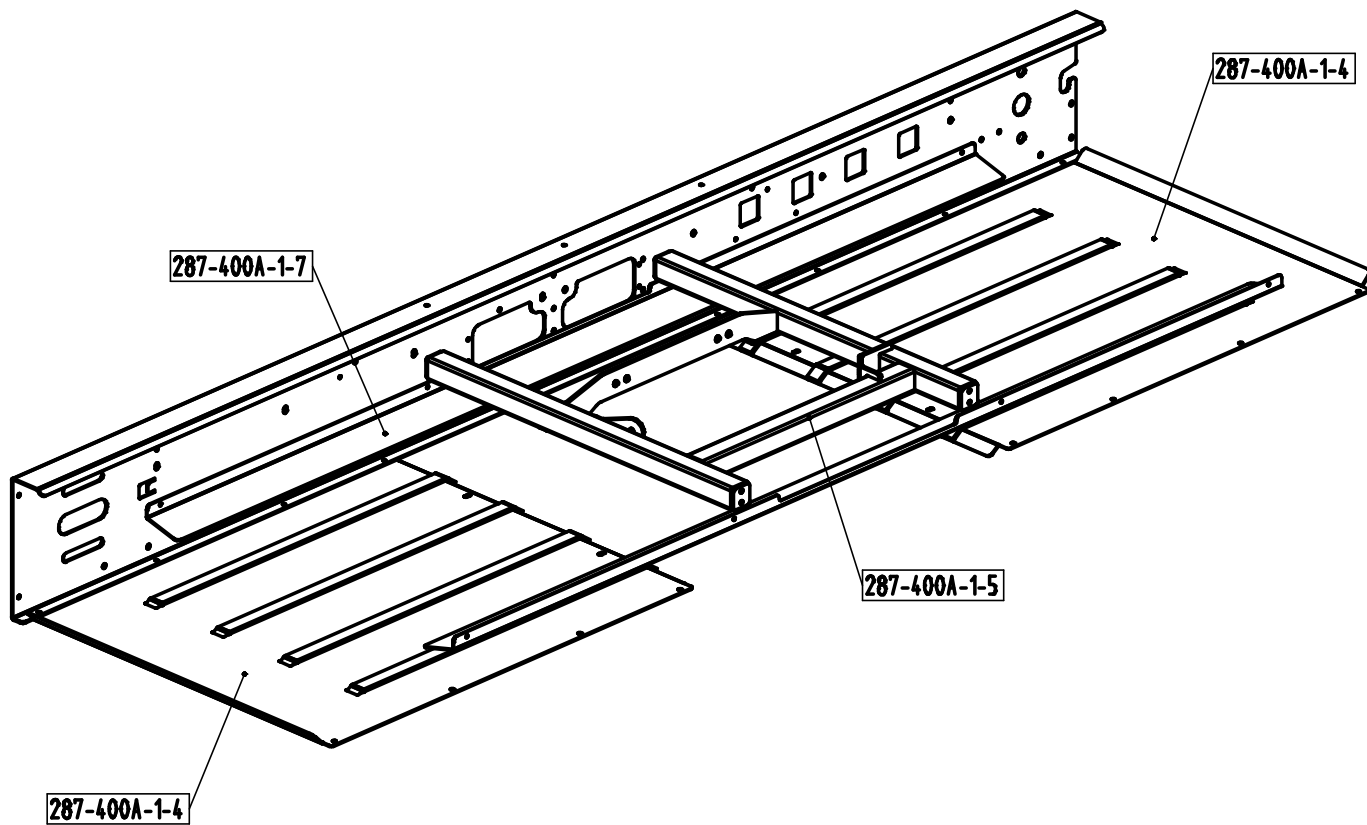
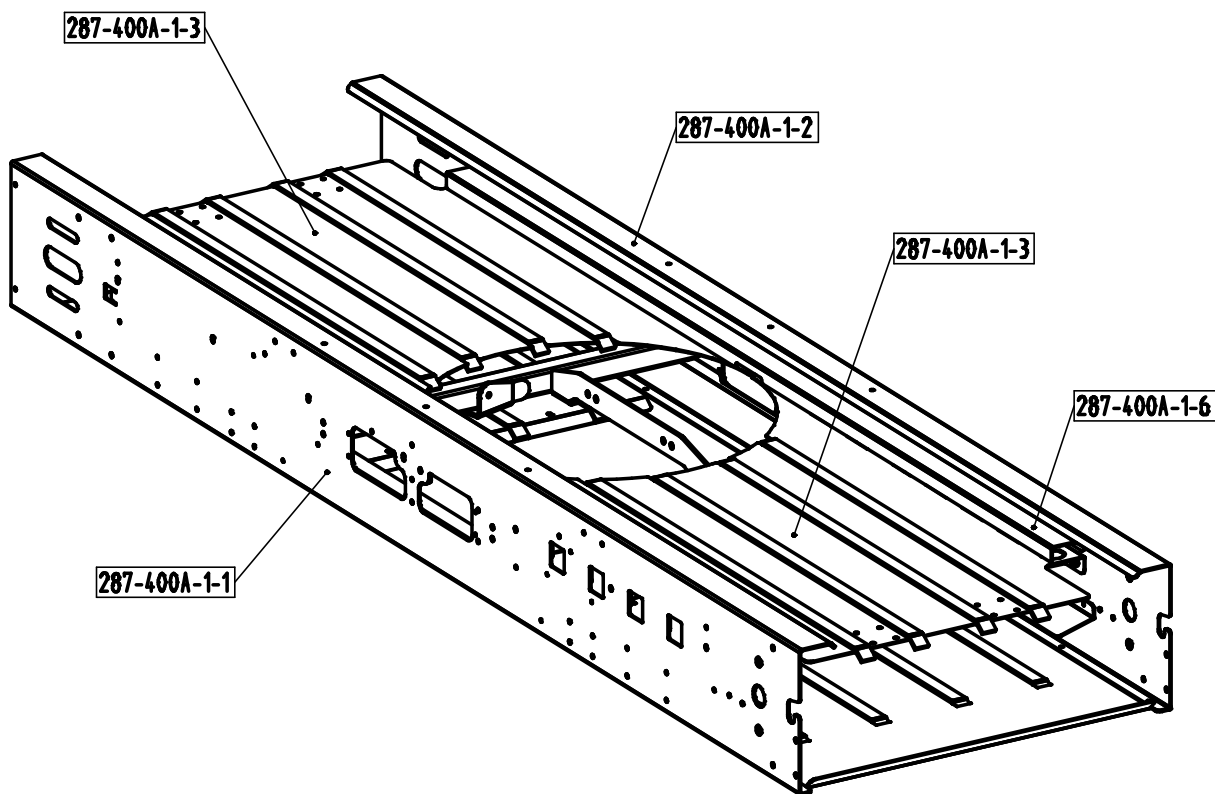
Kit No:
287-315

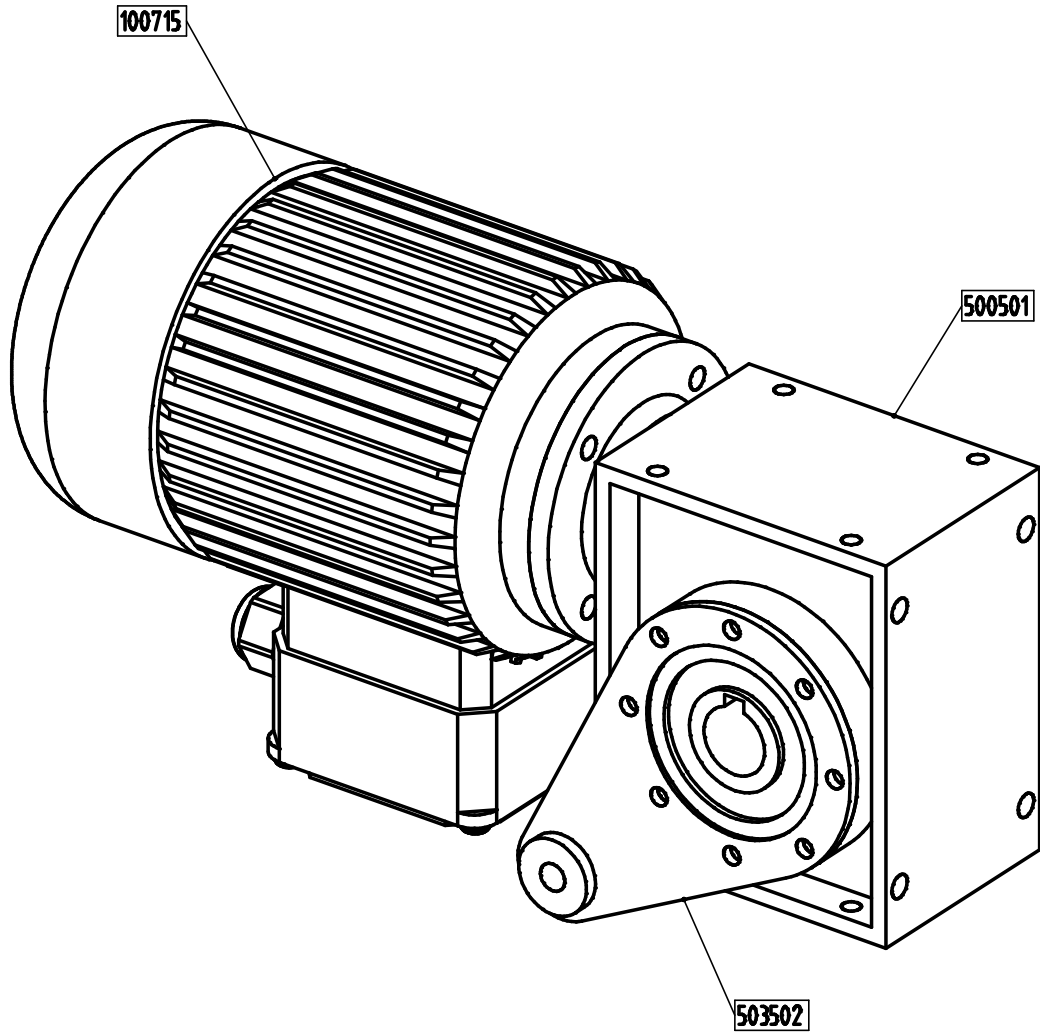


Partner in Growing





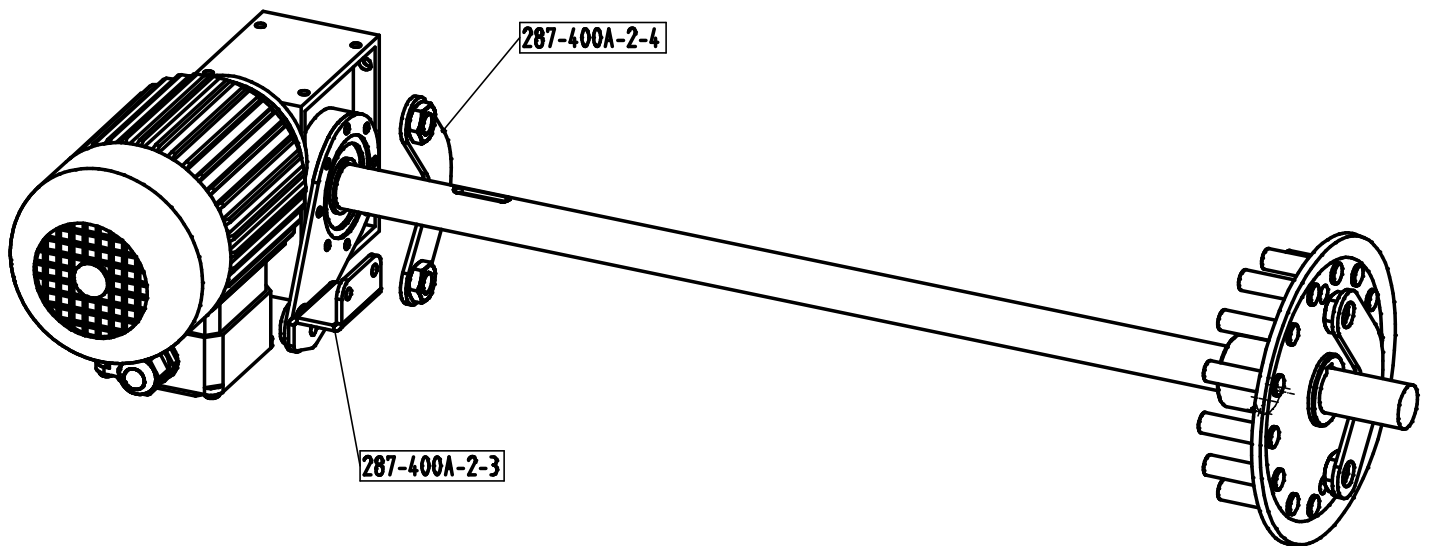
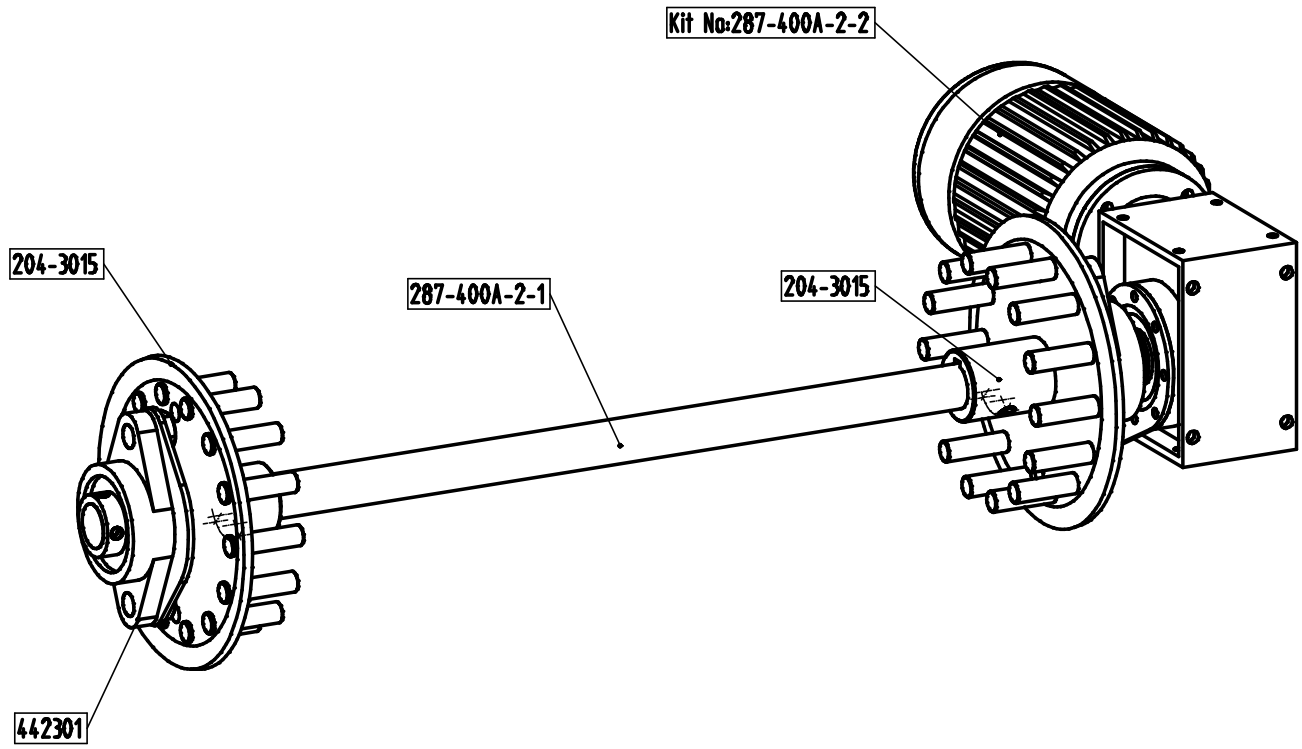


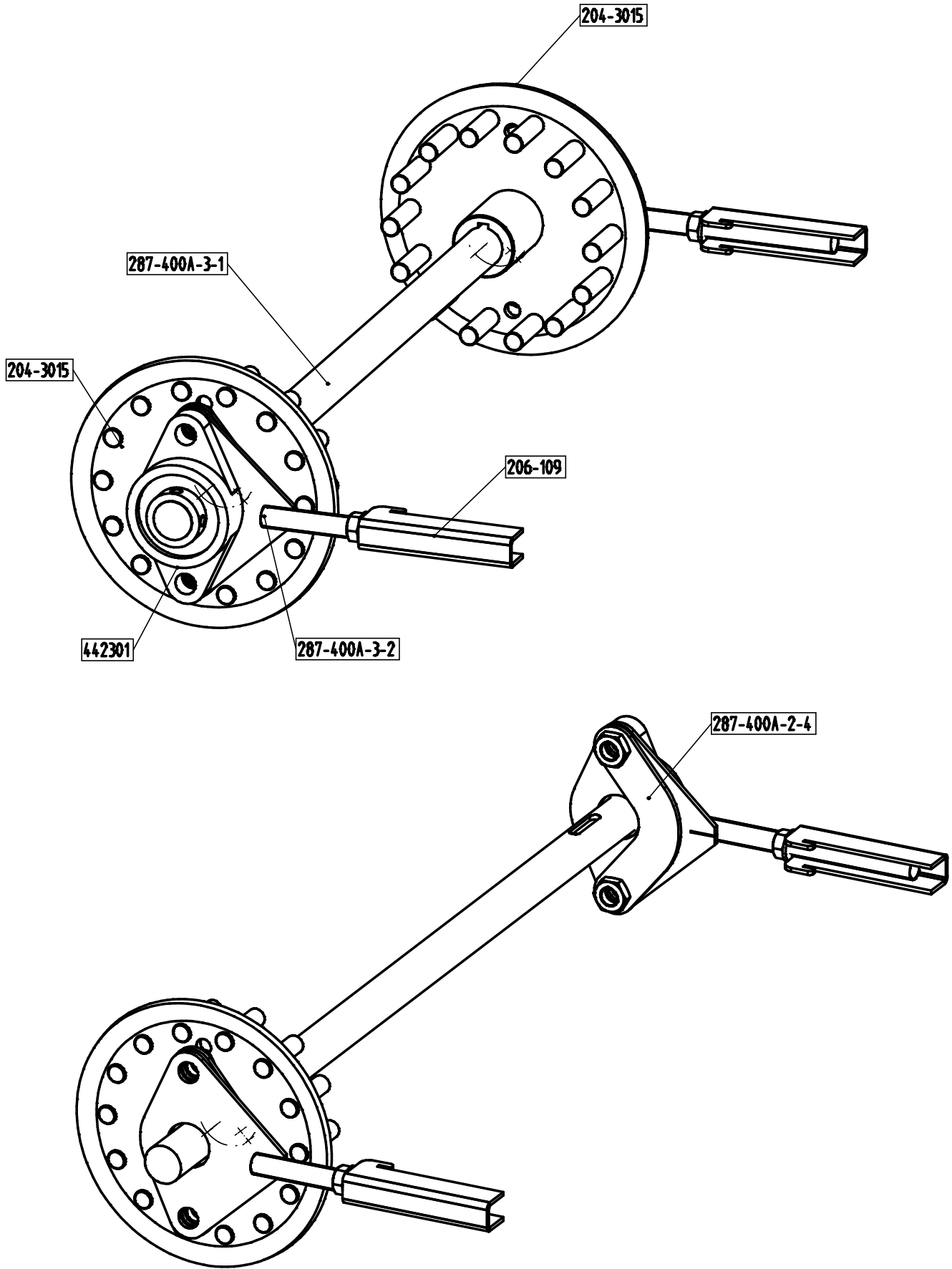


Kit No:
287-400A-2



Partner in Growing

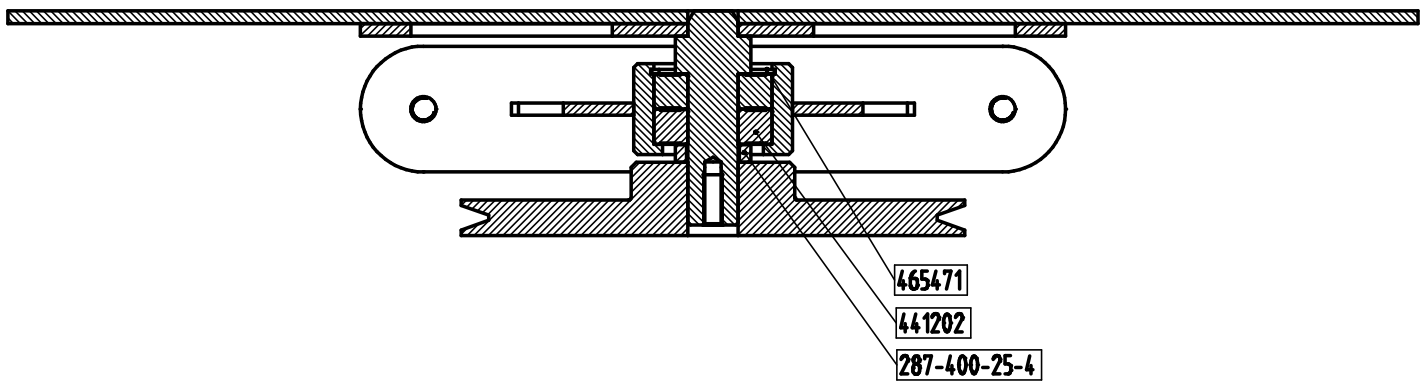
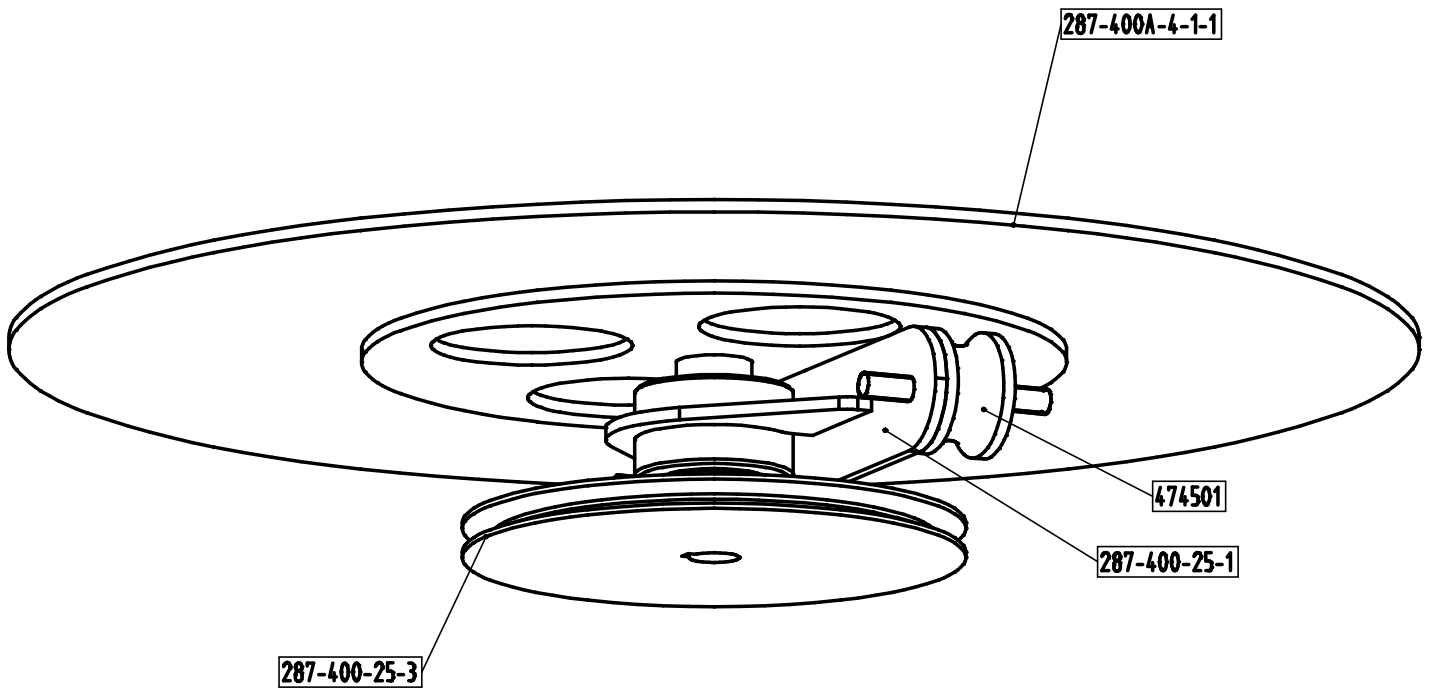




Kit No:
287-400-4-1



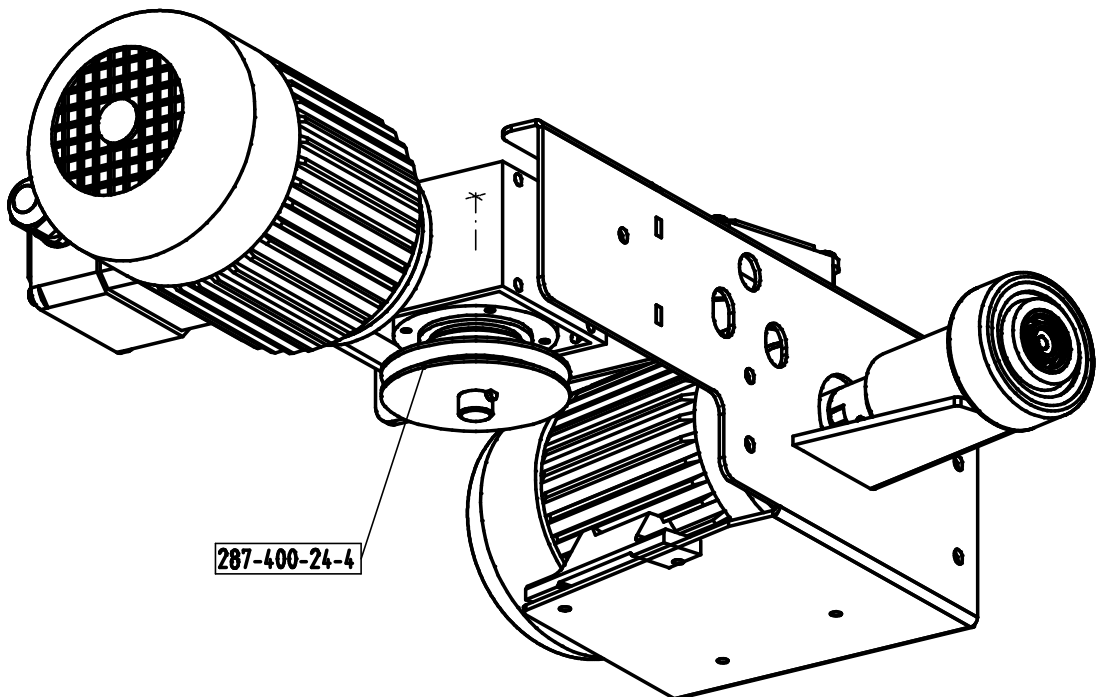
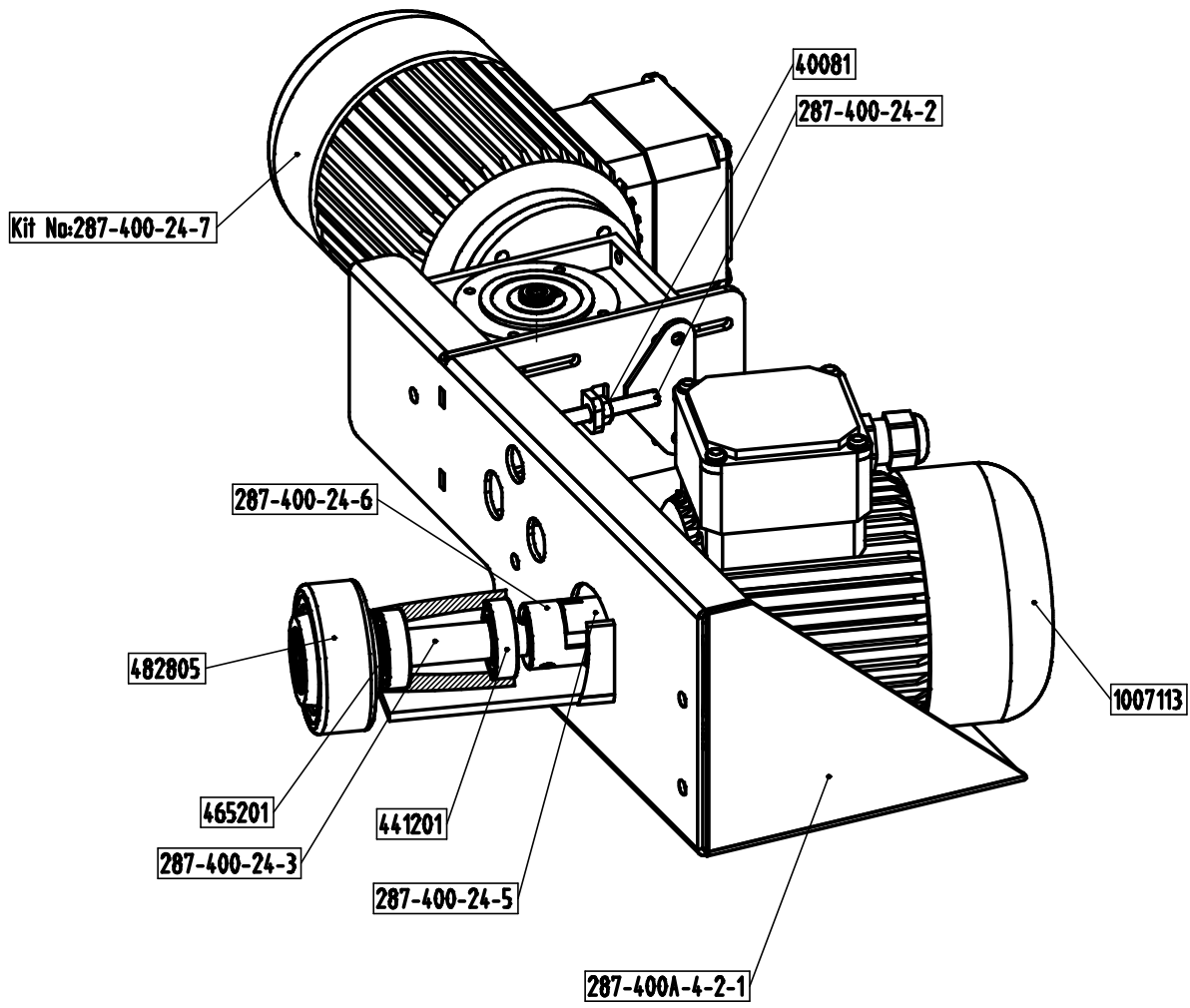
Partner in Growing



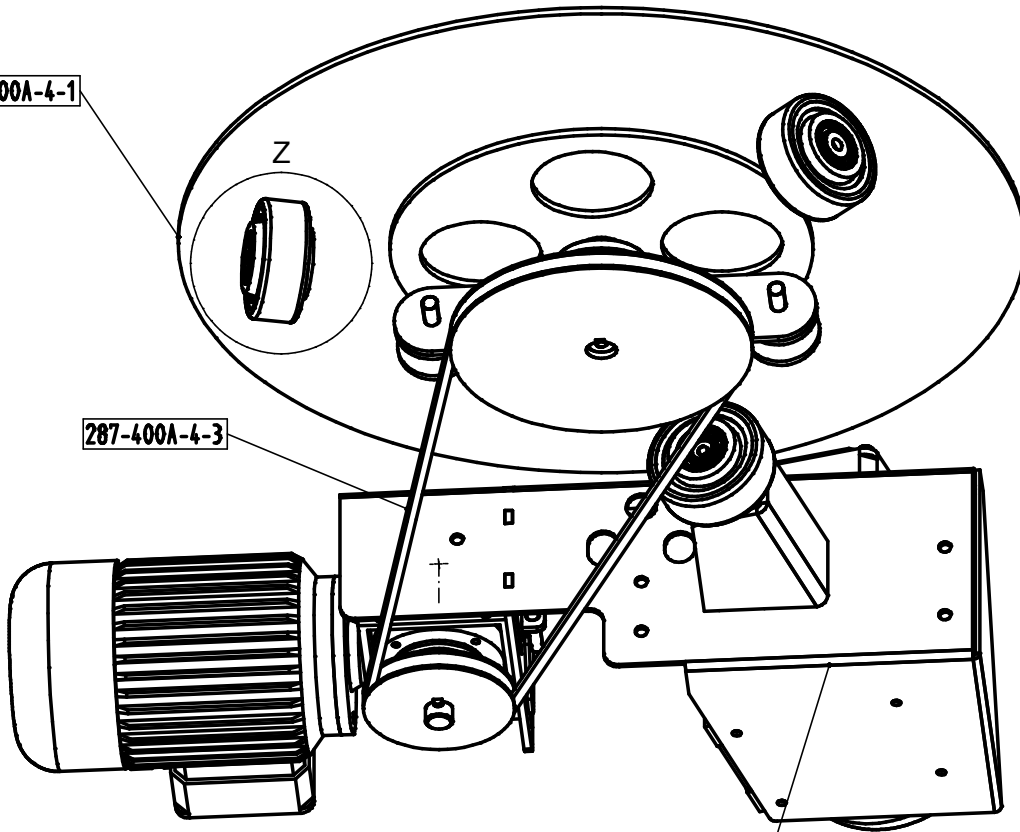
Kit No:
287-400A-4-2



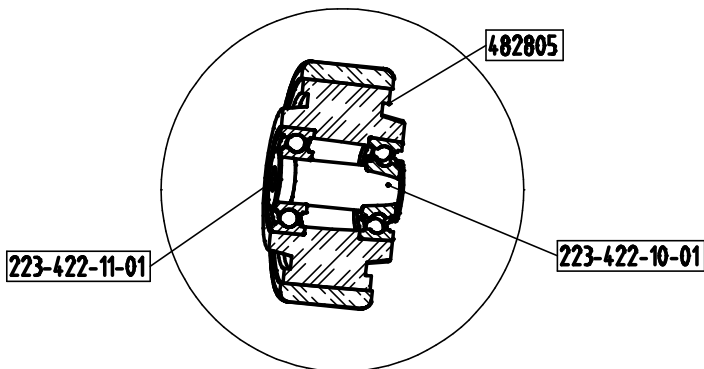
Partner in Growing



Kit No:287-400A-4-1



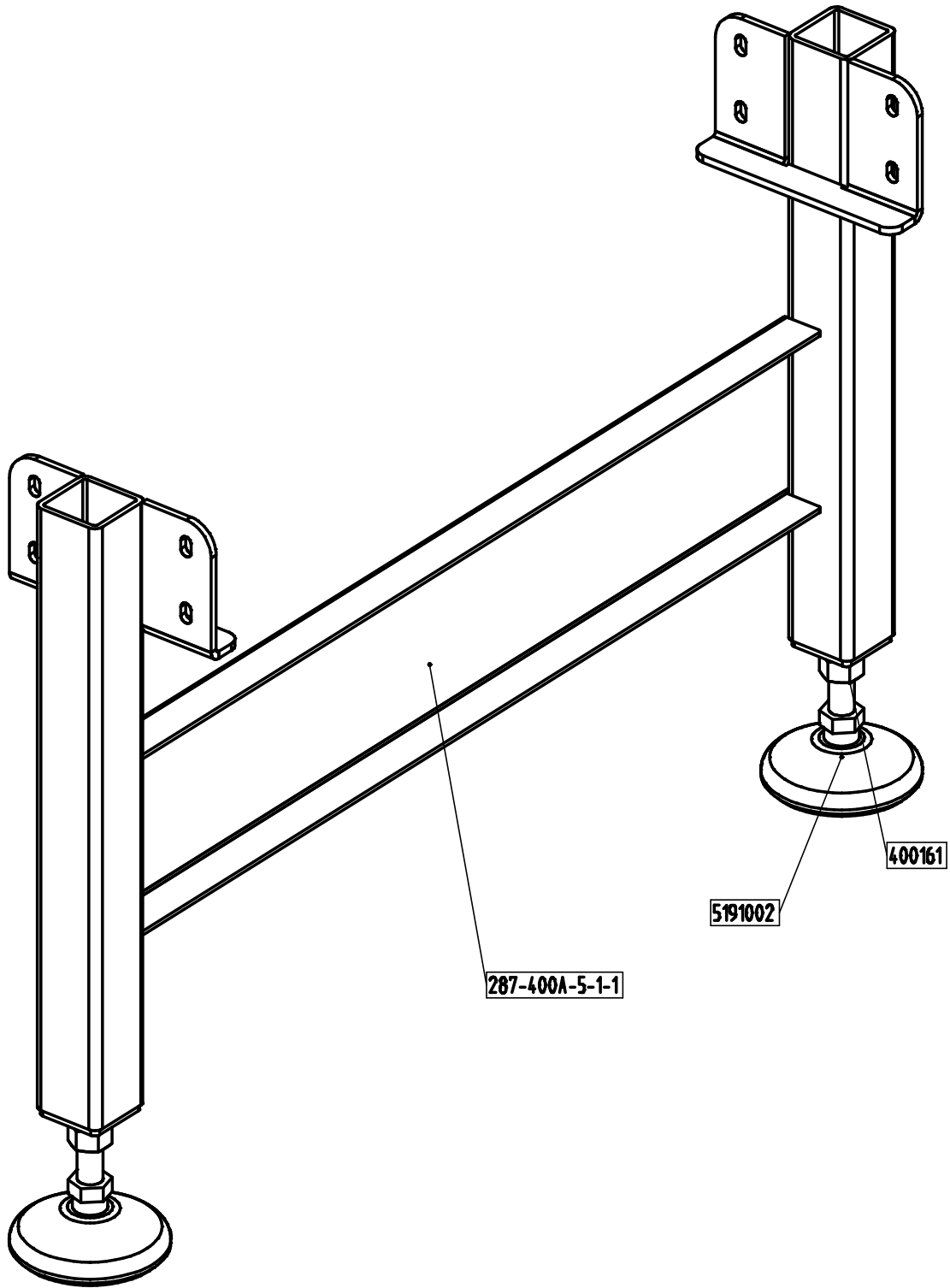
Z



Kit No:
287-400A-5-1



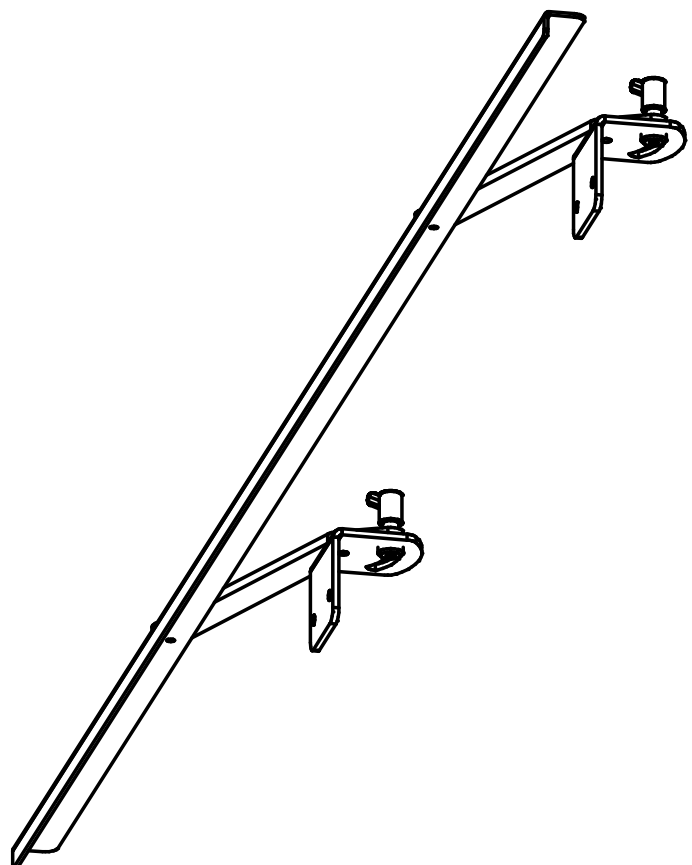
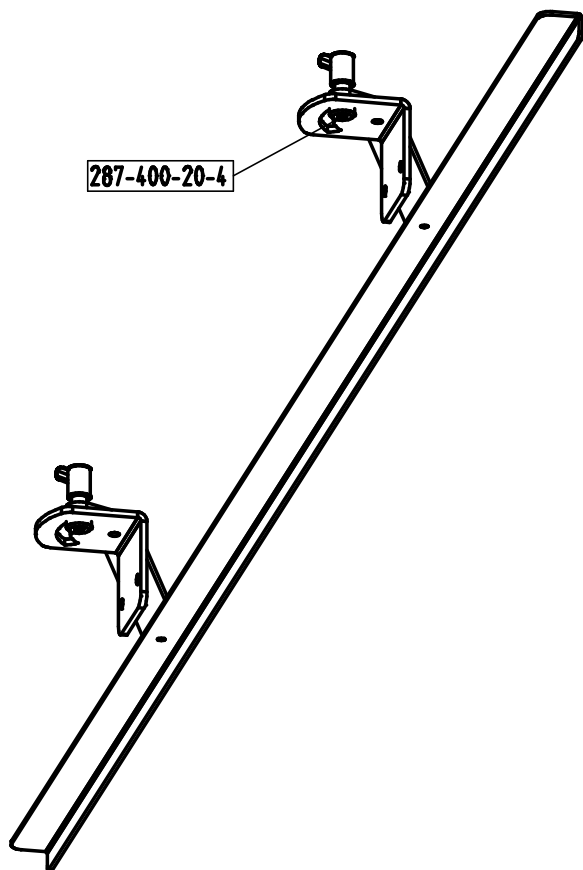
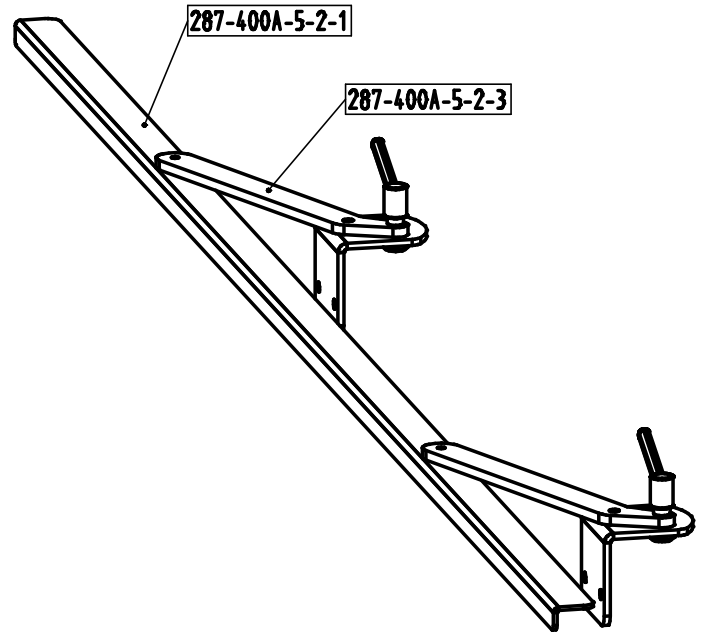
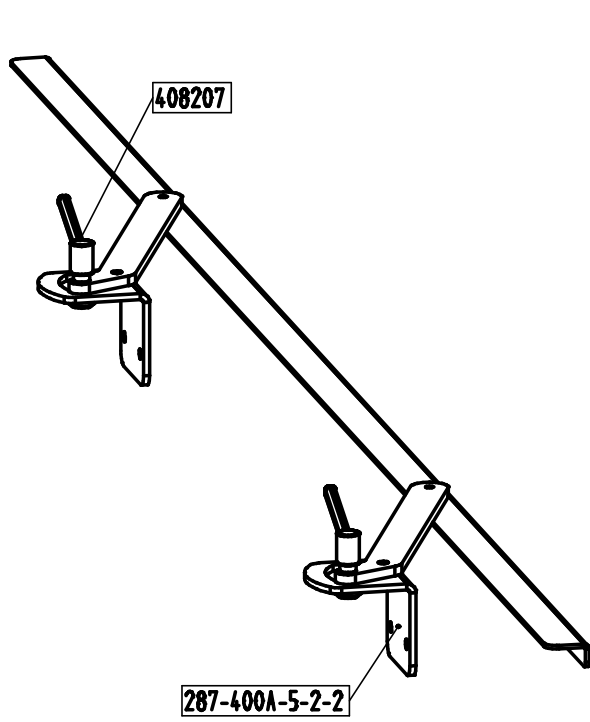
Partner in Growing



Kit No:
287-400A-5-2



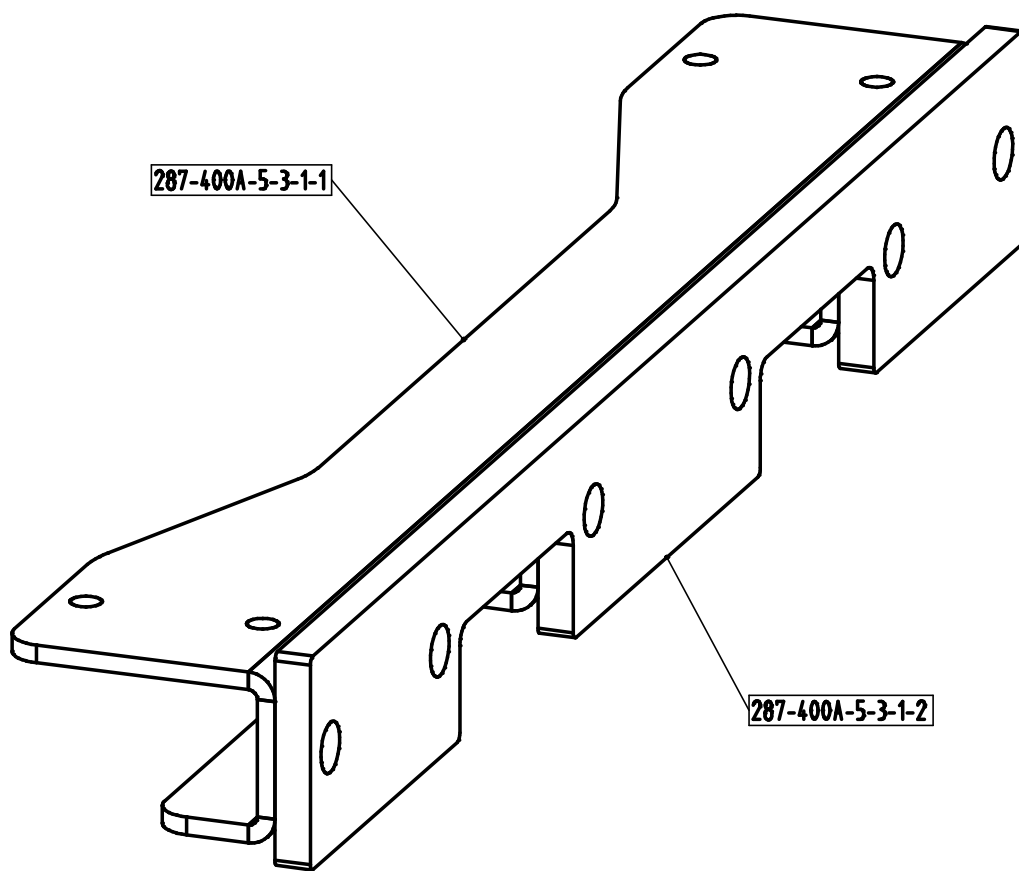
Partner in Growing

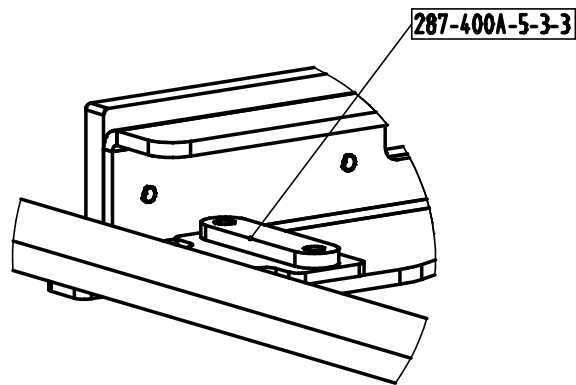
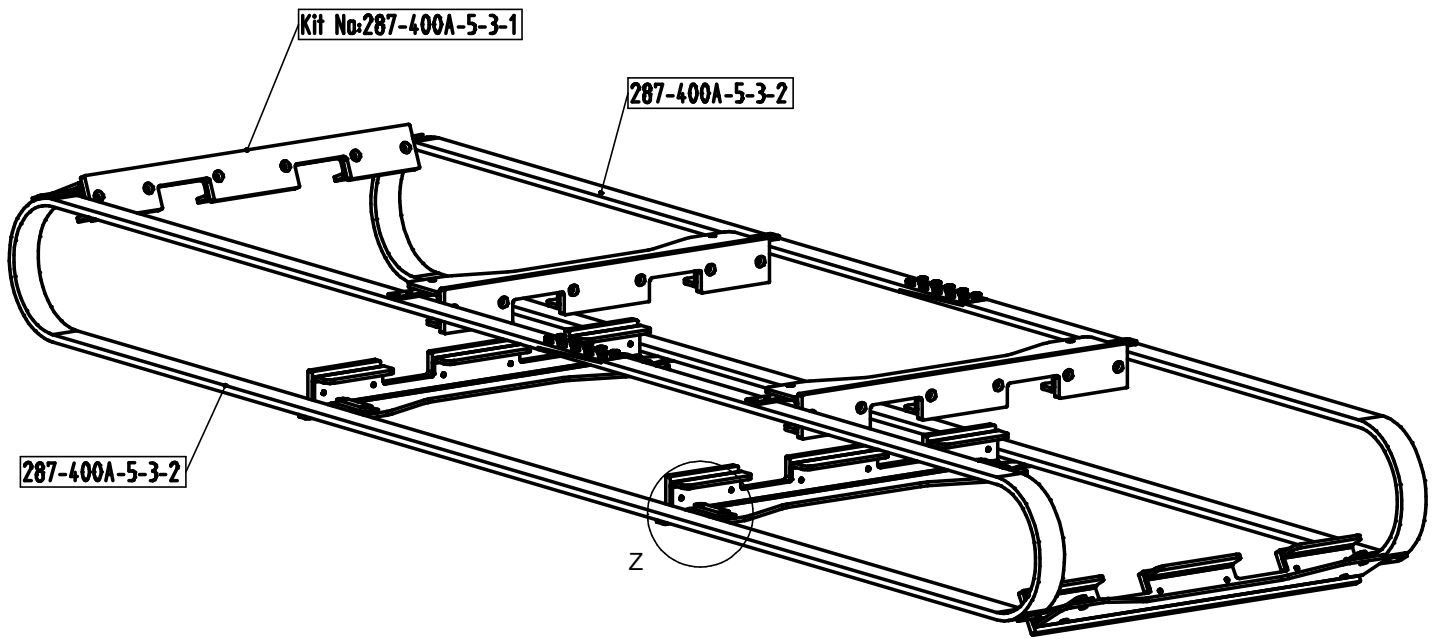


Kit No:
287-400A-5-3-1



Partner in Growing

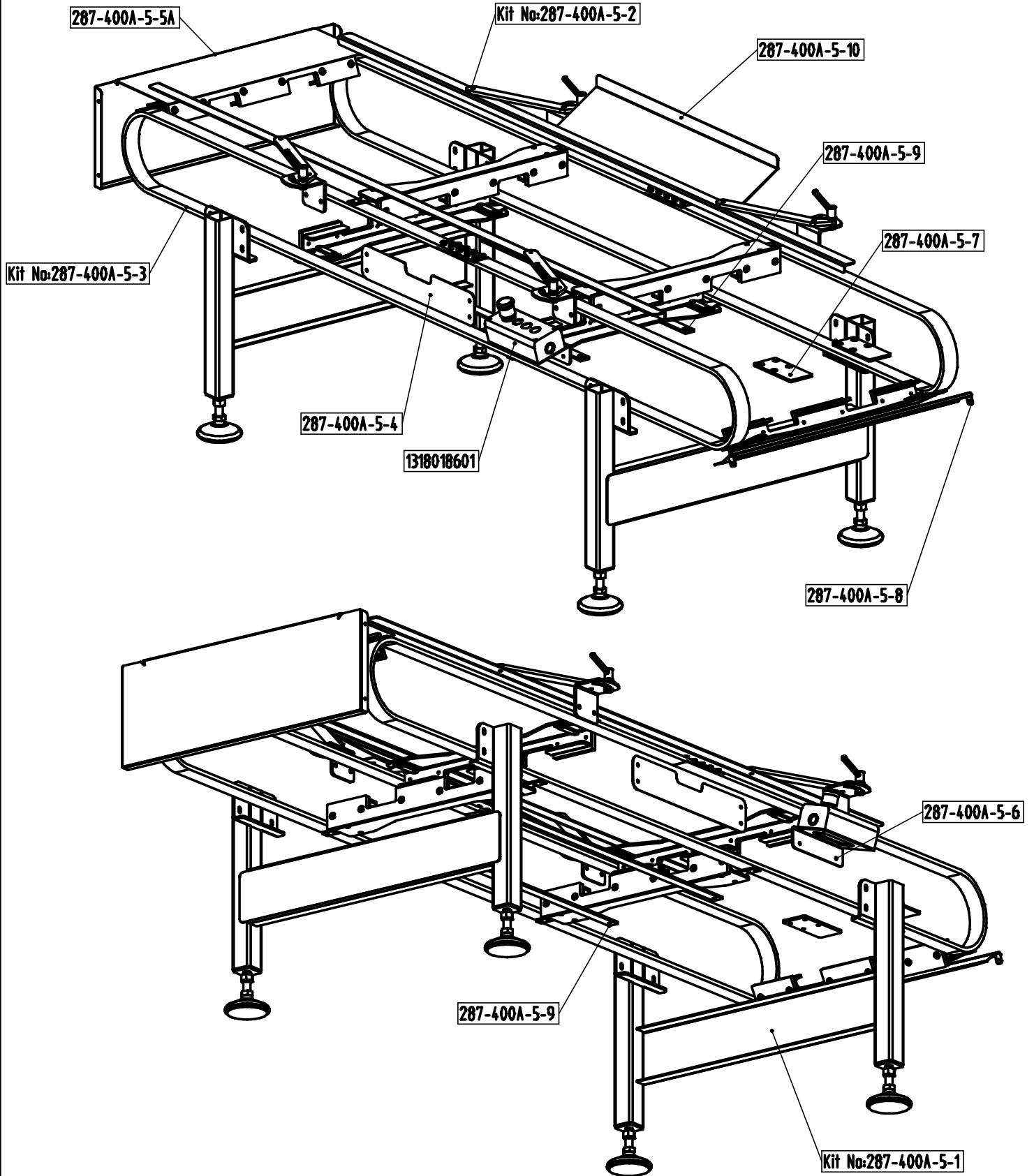




Kit No:
287-400A-5



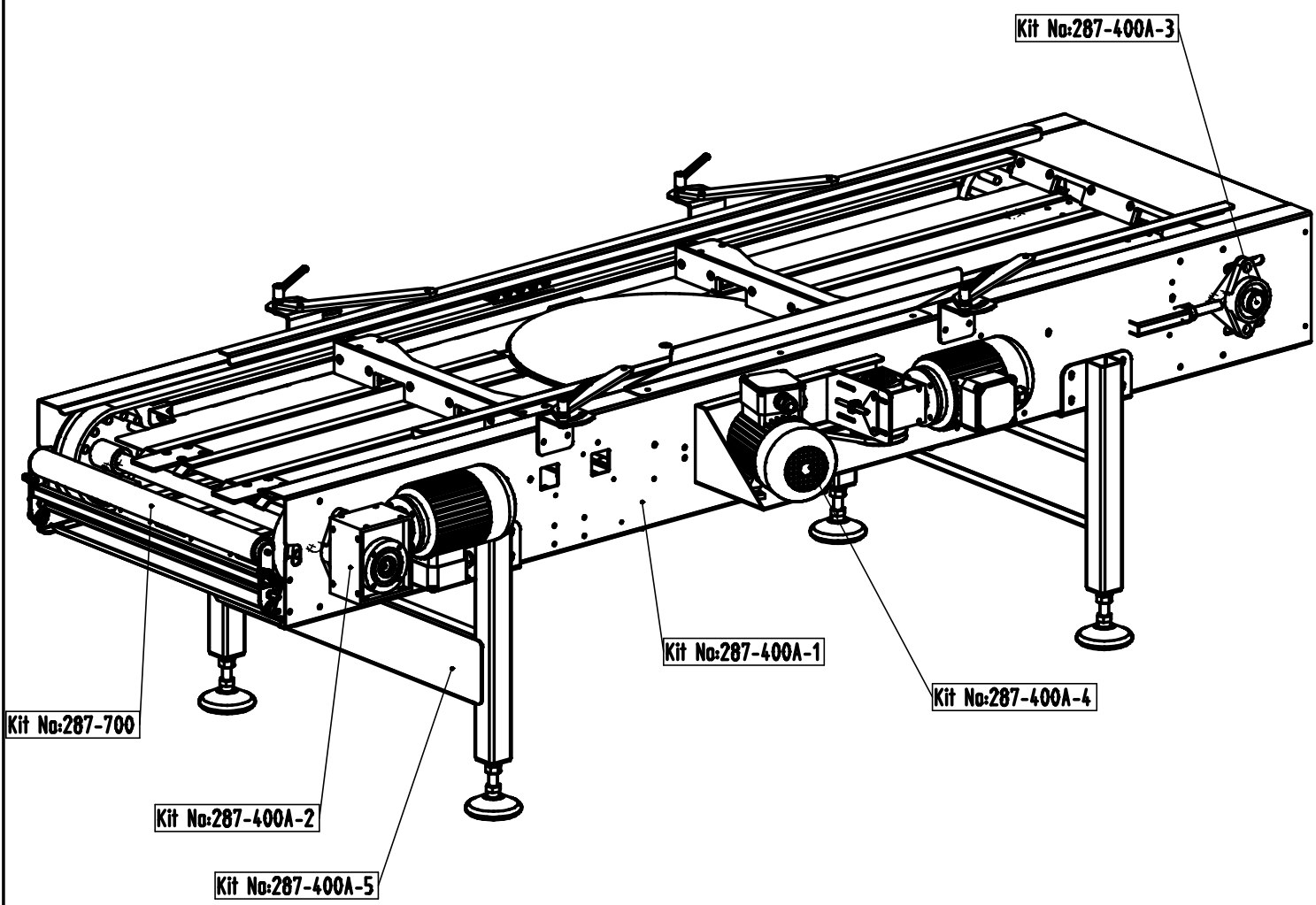
Partner in Growing

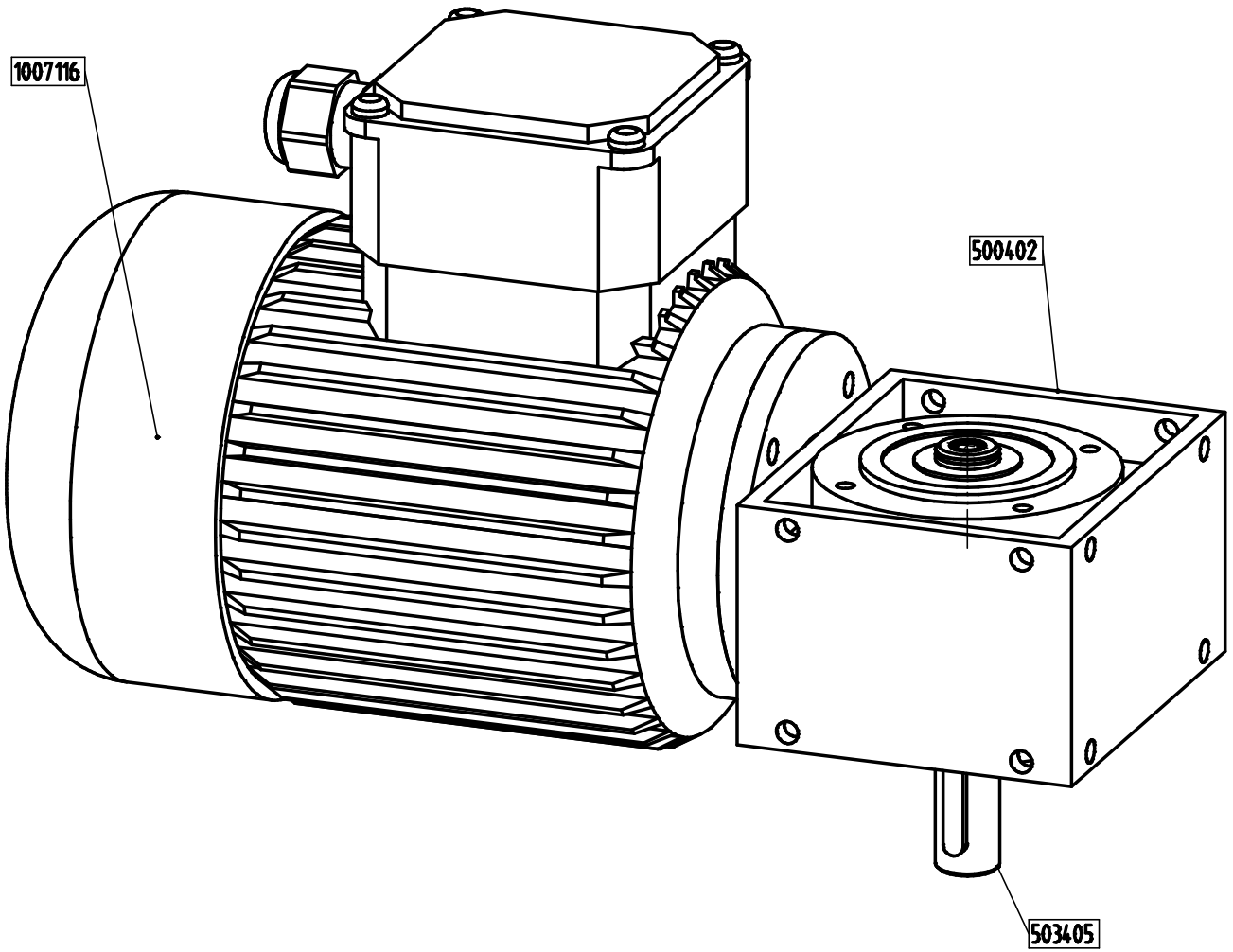


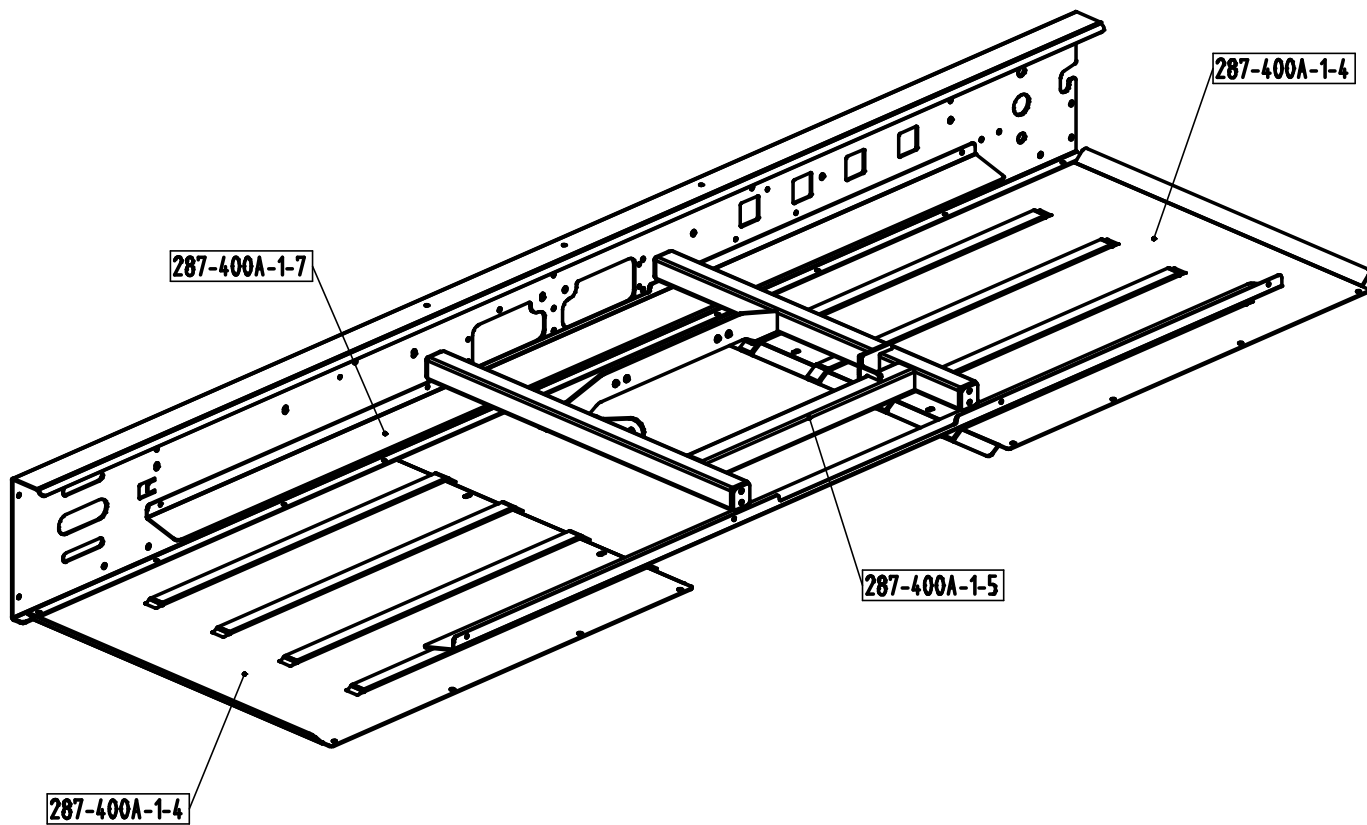
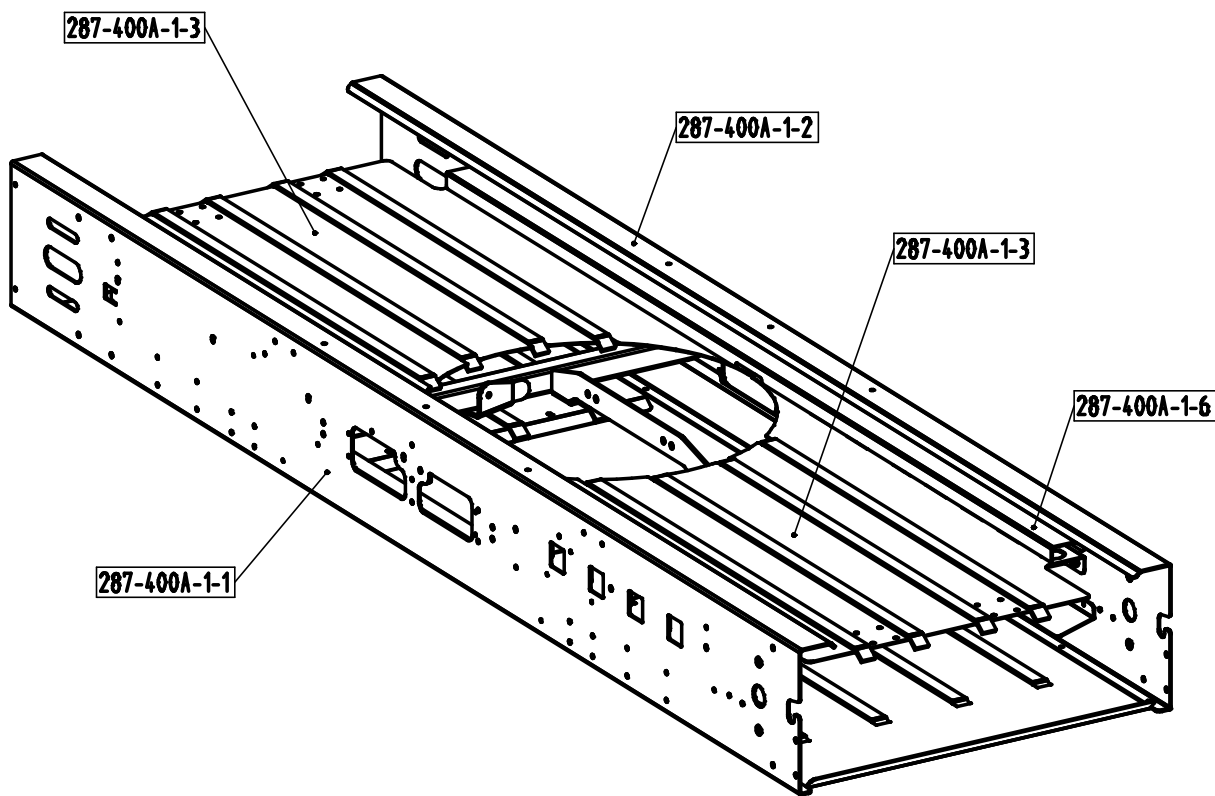
Kit No:
287-400A



Partner in Growing



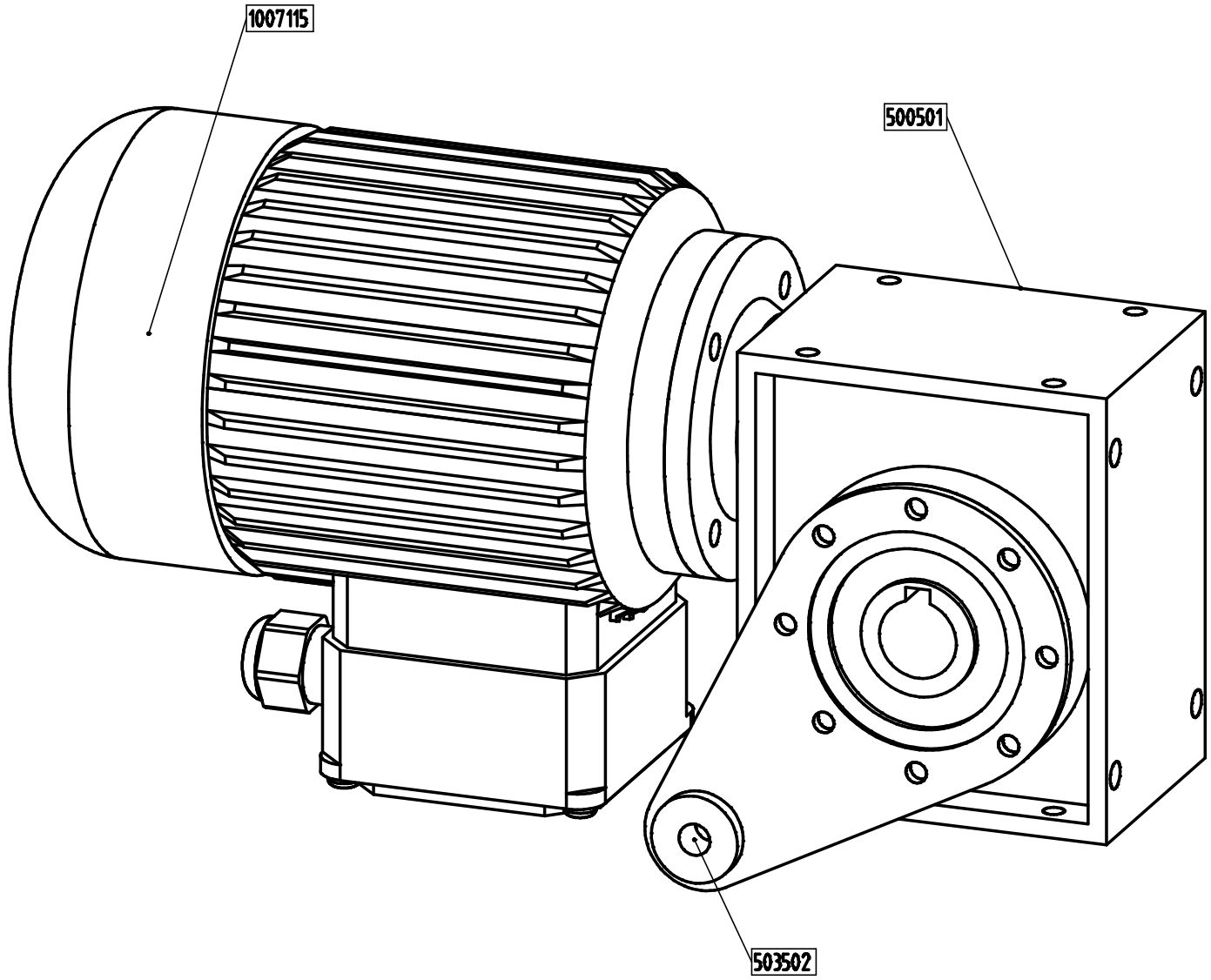




Kit No:
287-400A-2-2-USA



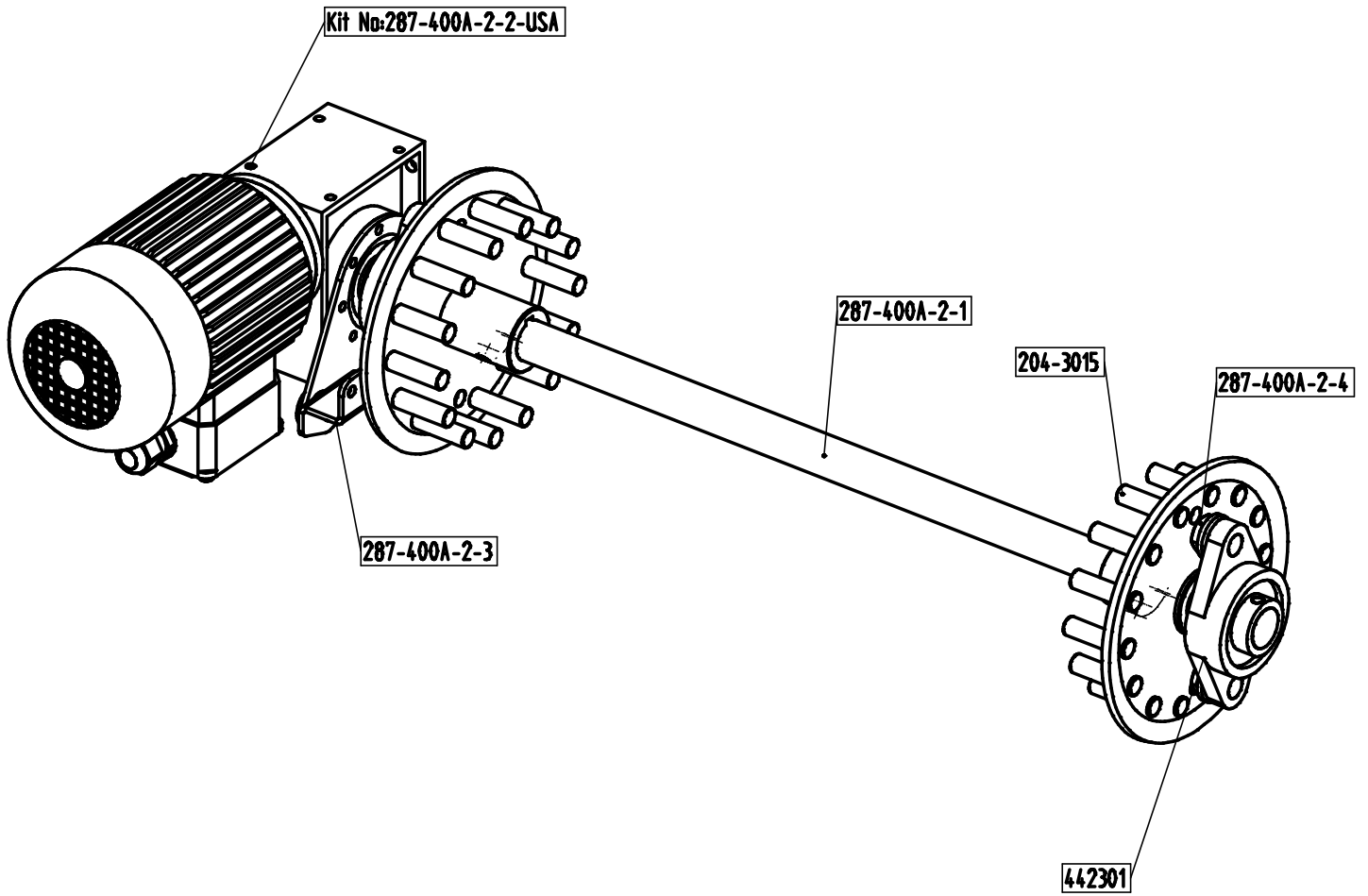
Partner in Growing

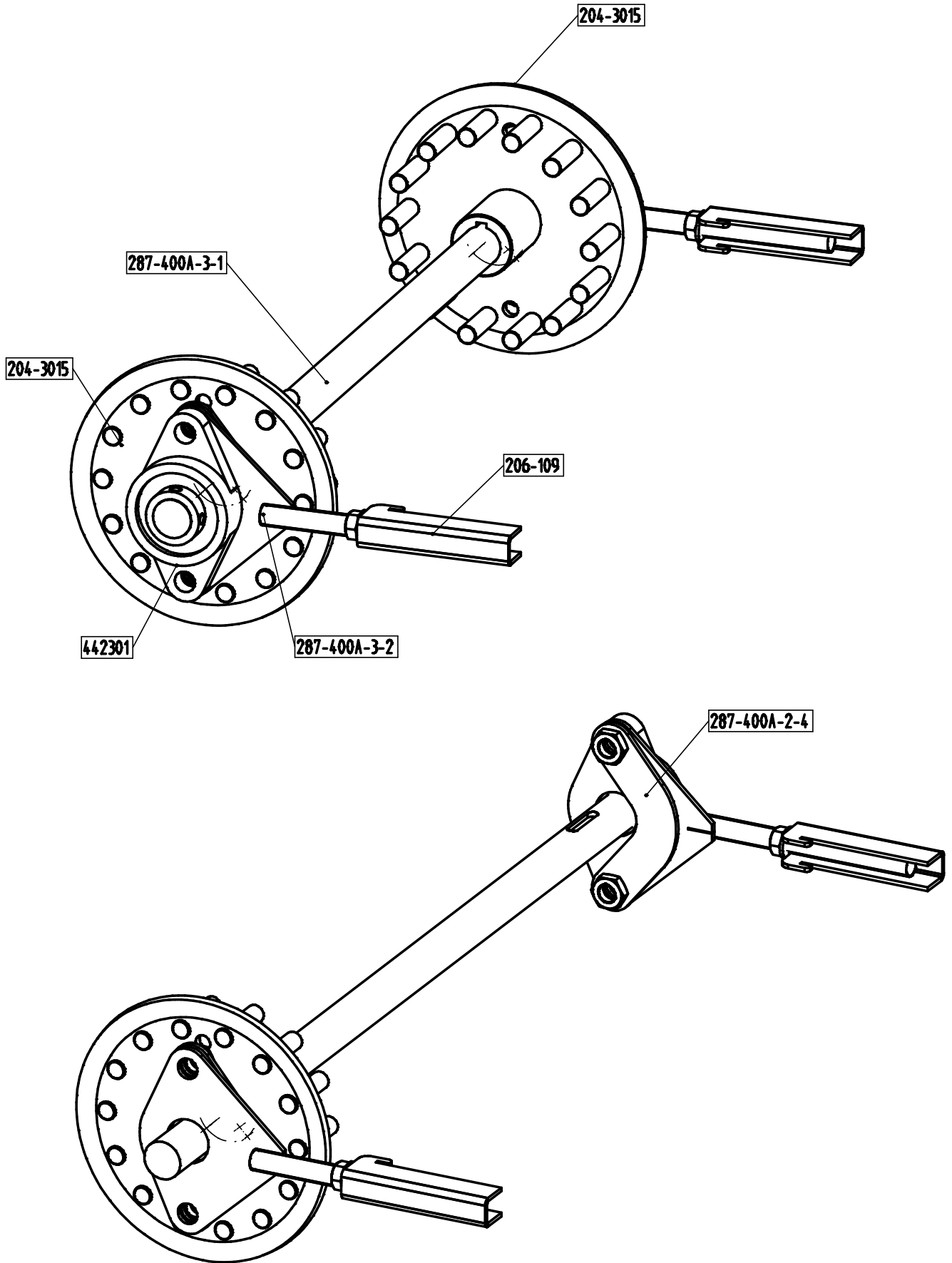


Kit No:
287-400A-2-USA



Partner in Growing

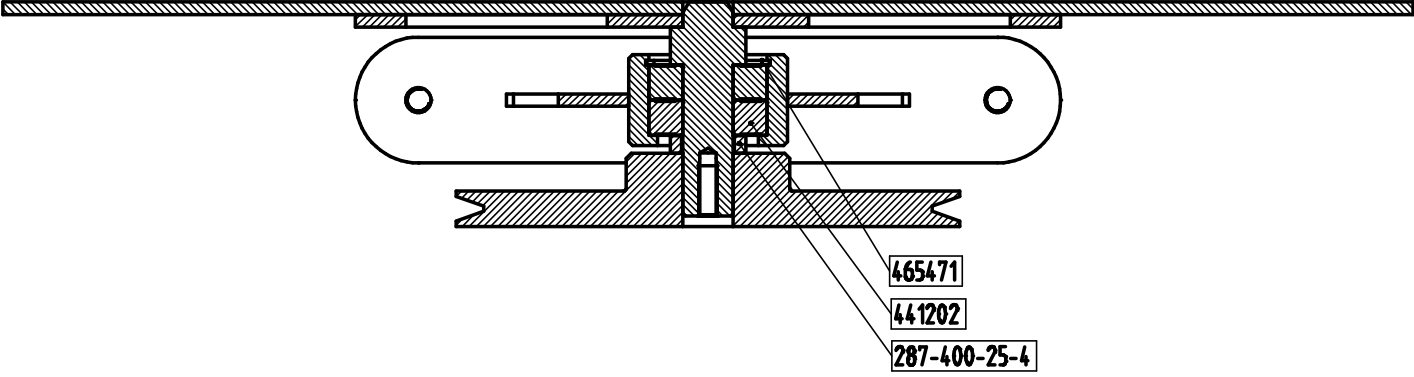
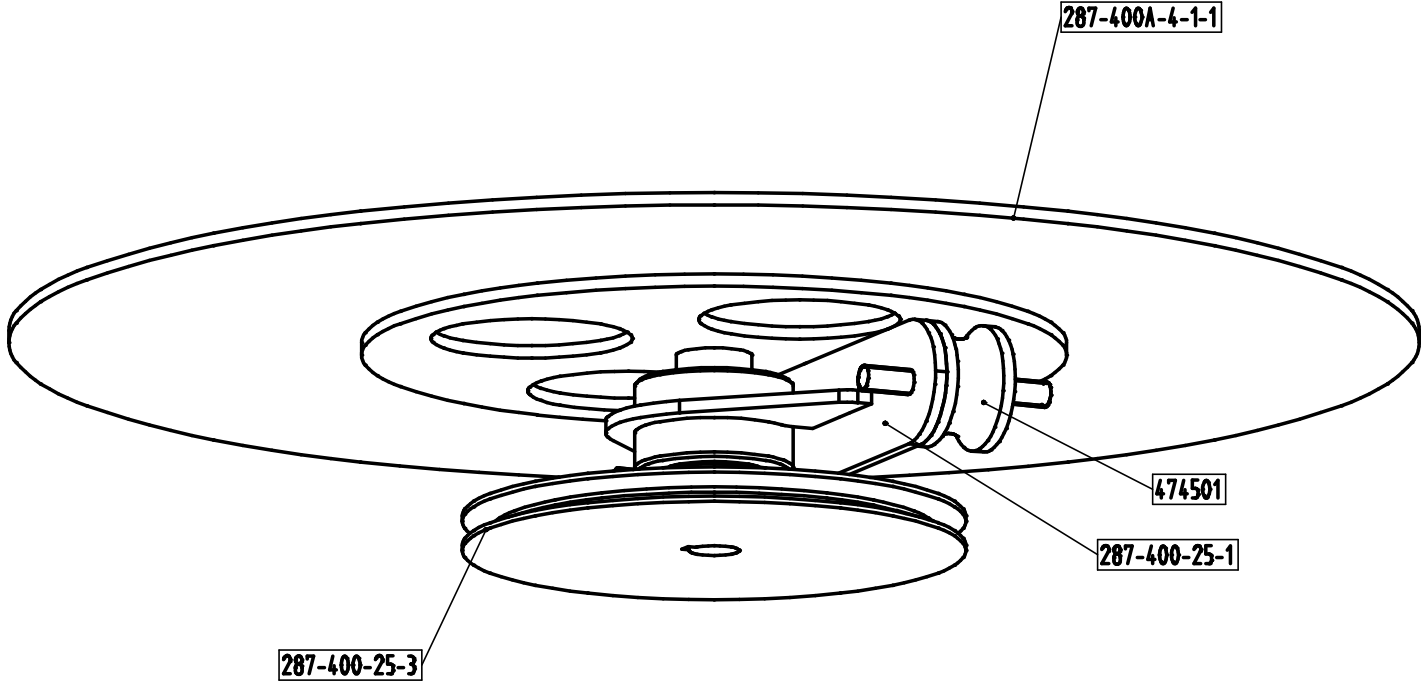


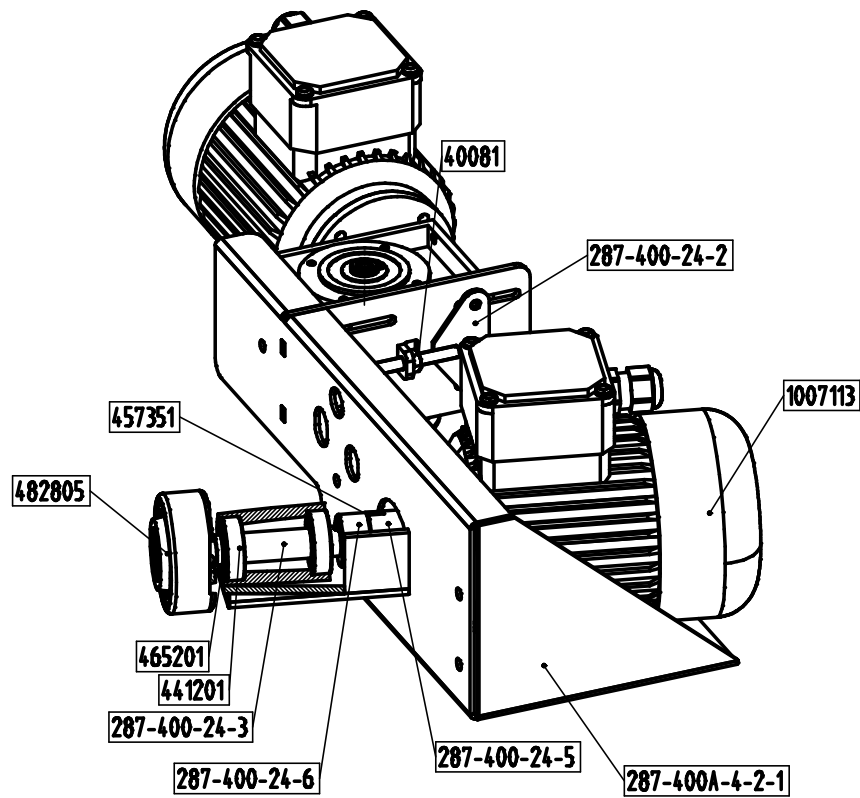
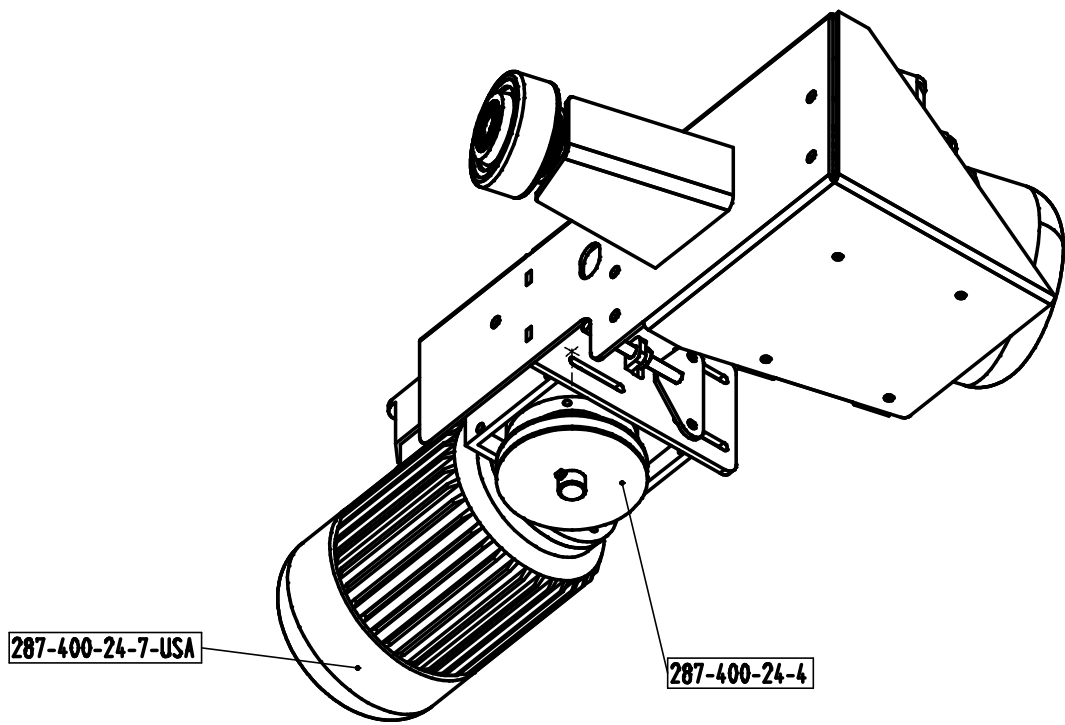


Kit No:
287-400-4-1



Partner in Growing

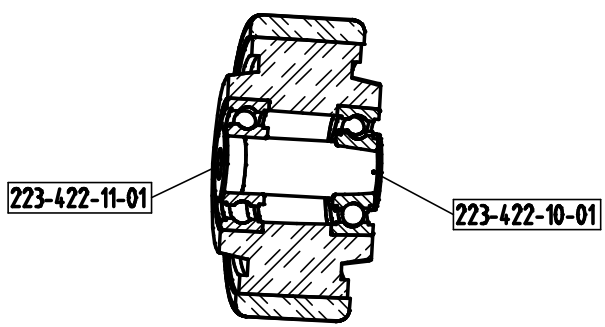
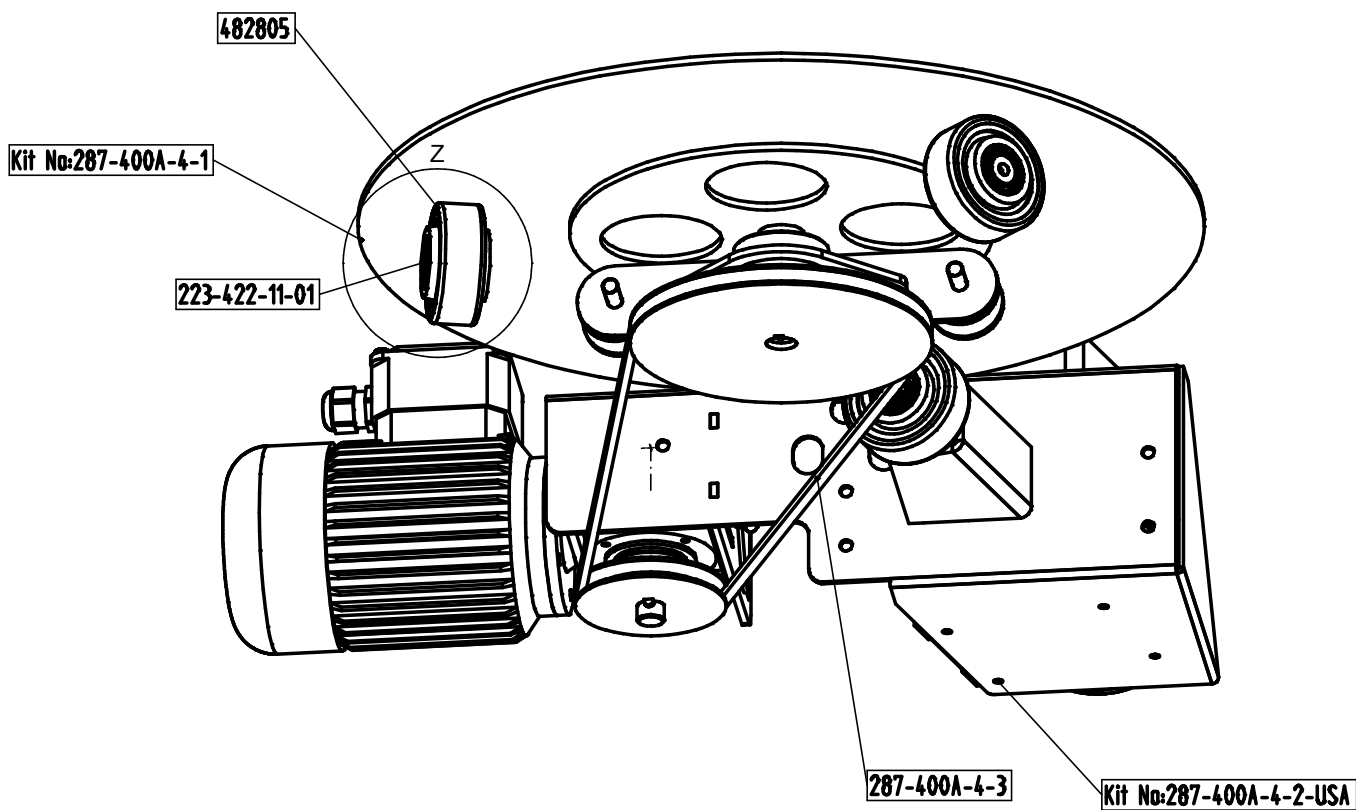




Kit No:
287-400A-4-USA



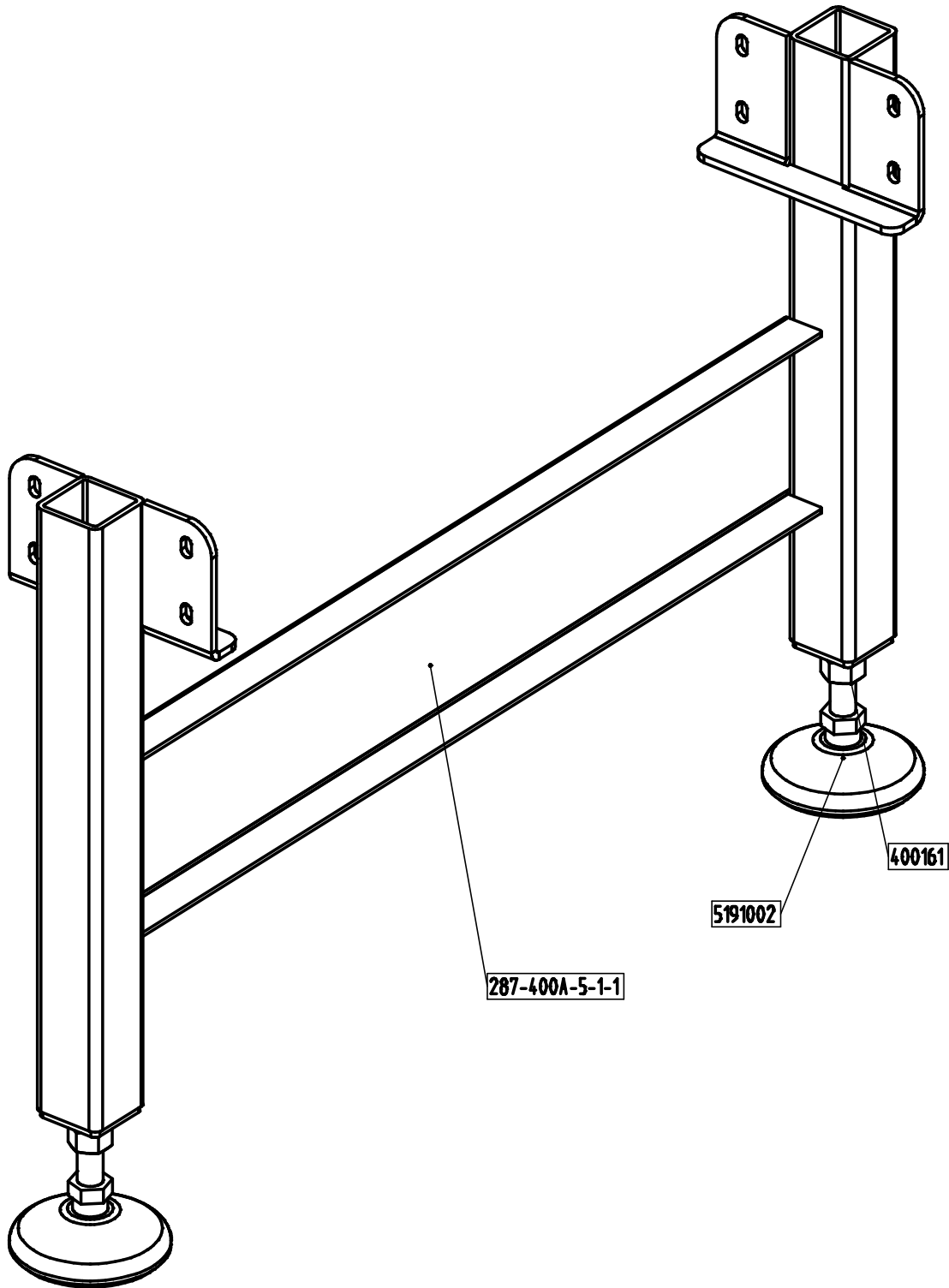
Partner in Growing



Kit No:
287-400A-5-1



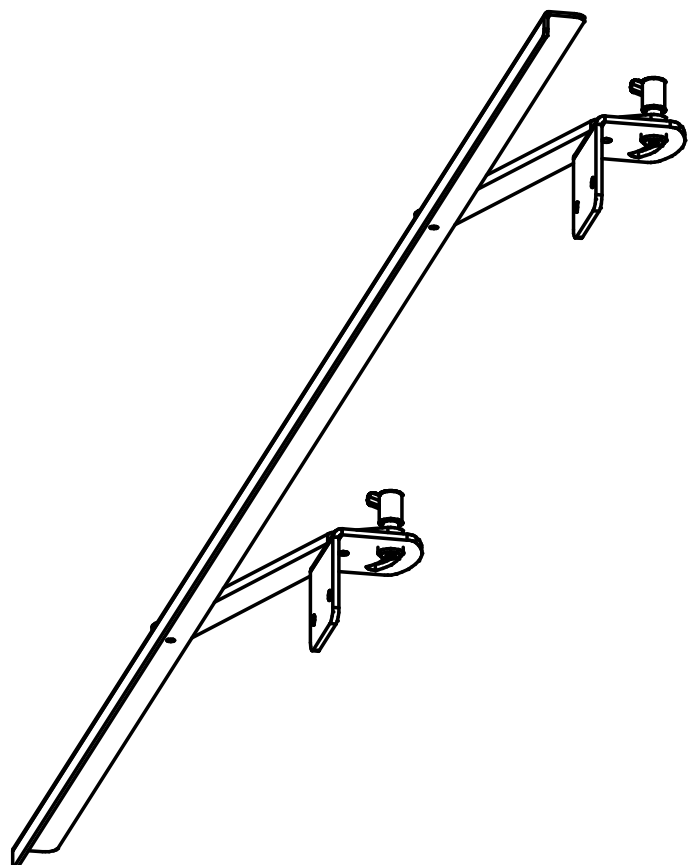
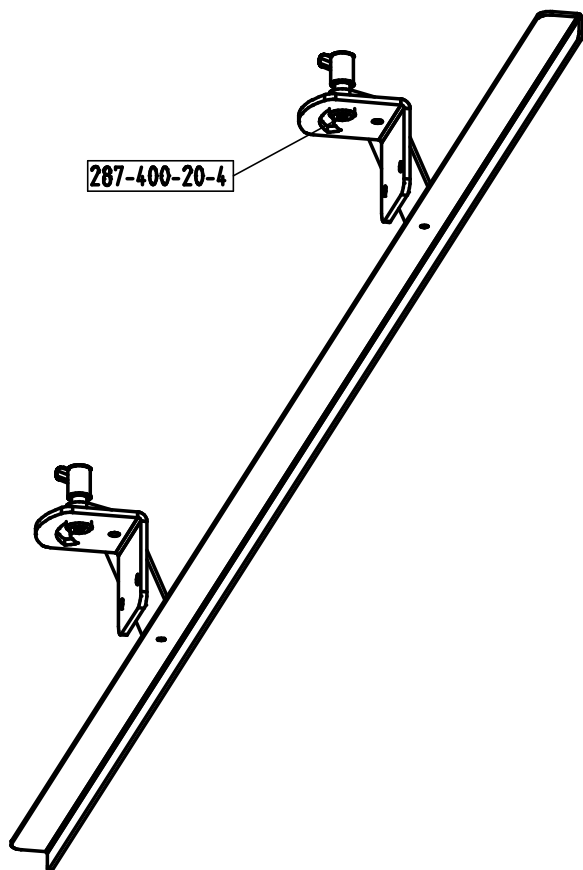
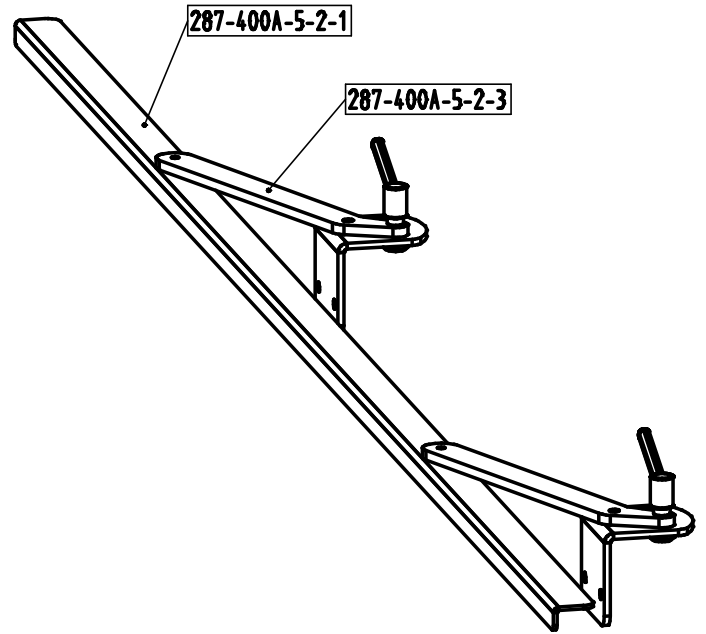
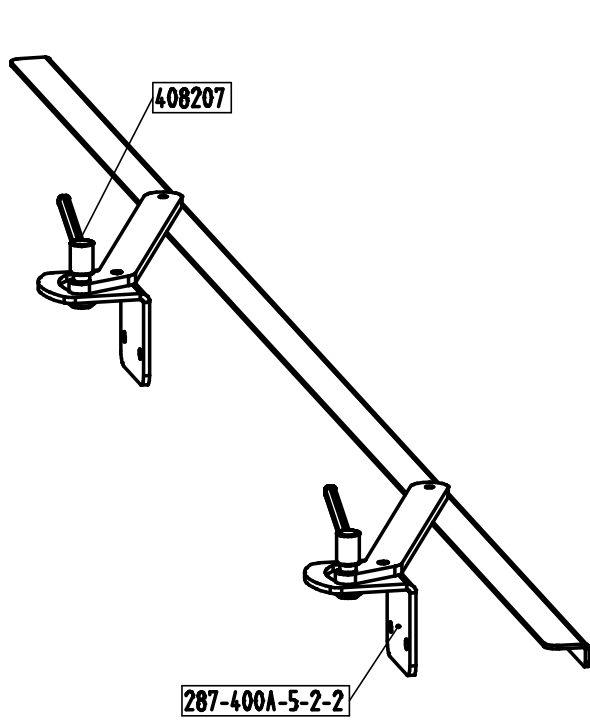
Partner in Growing



Kit No:
287-400A-5-2



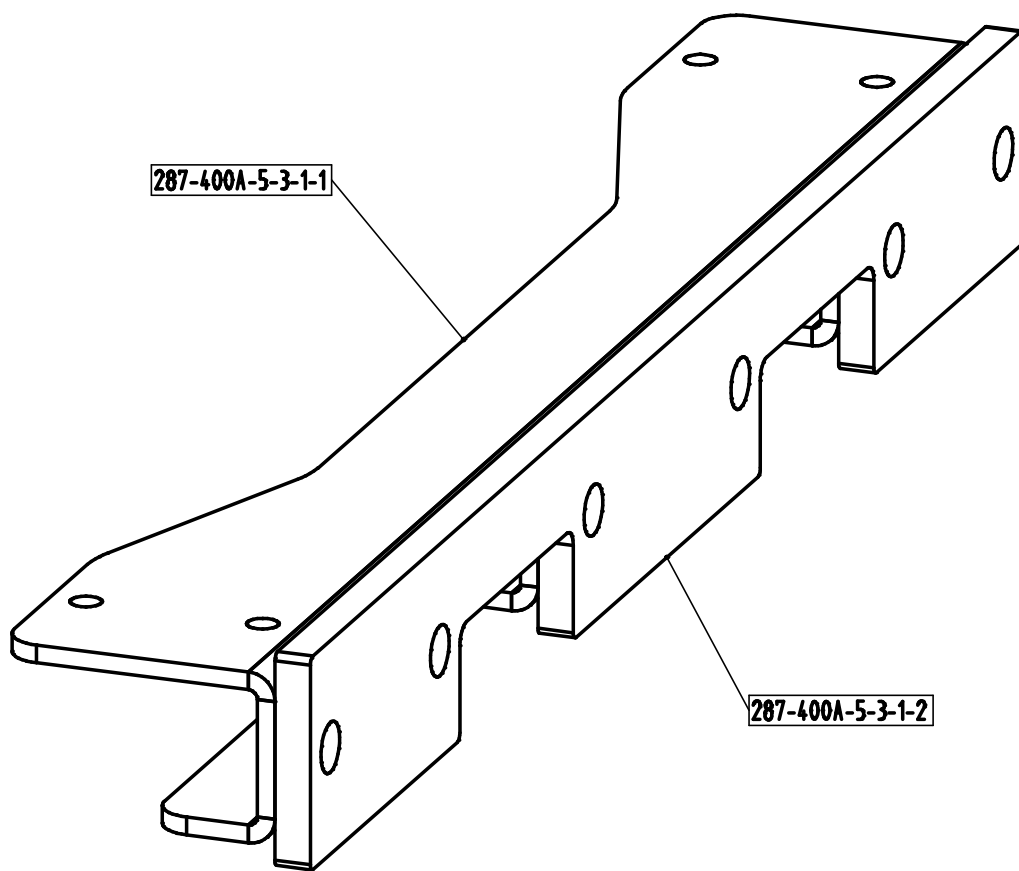
Partner in Growing

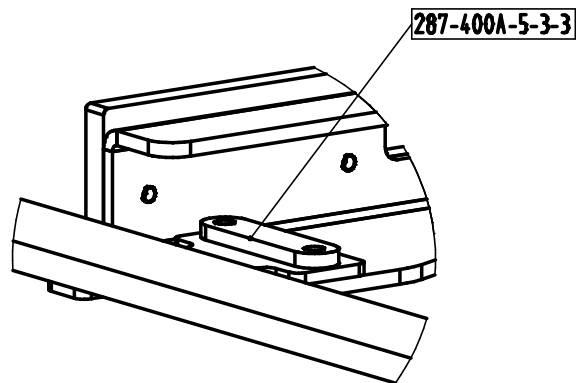
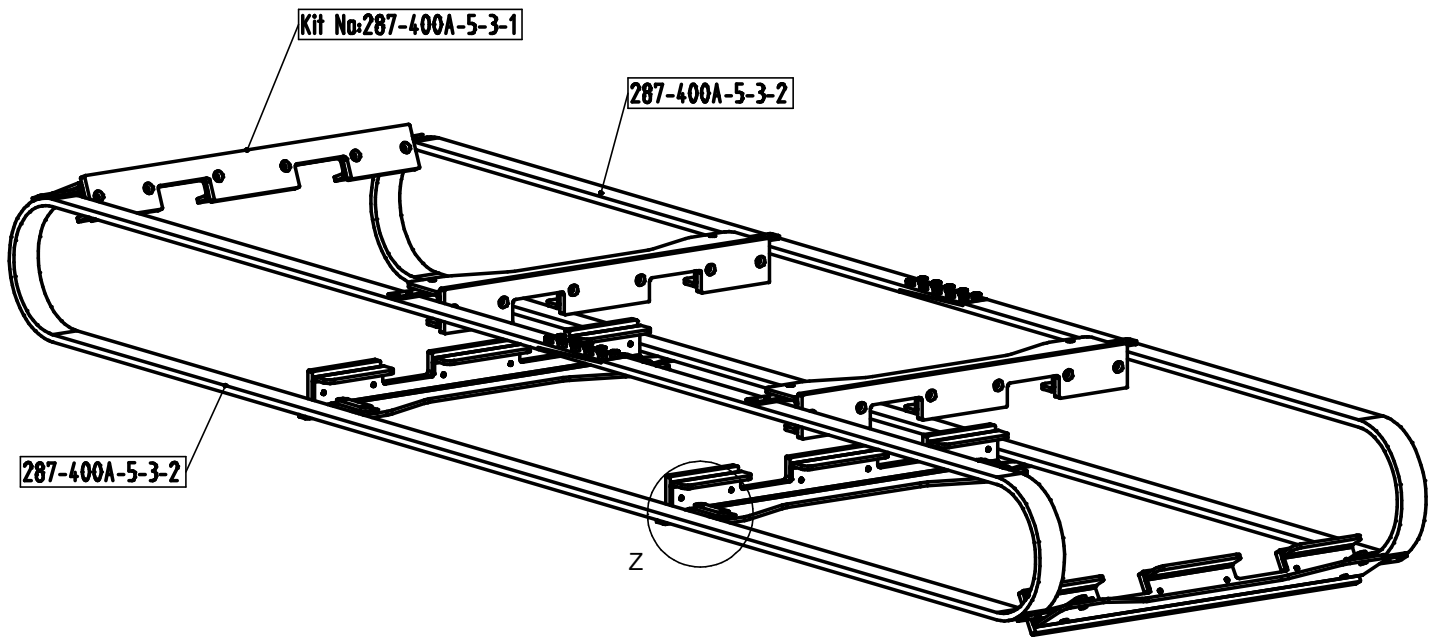


Kit No:
287-400A-5-3-1



Partner in Growing

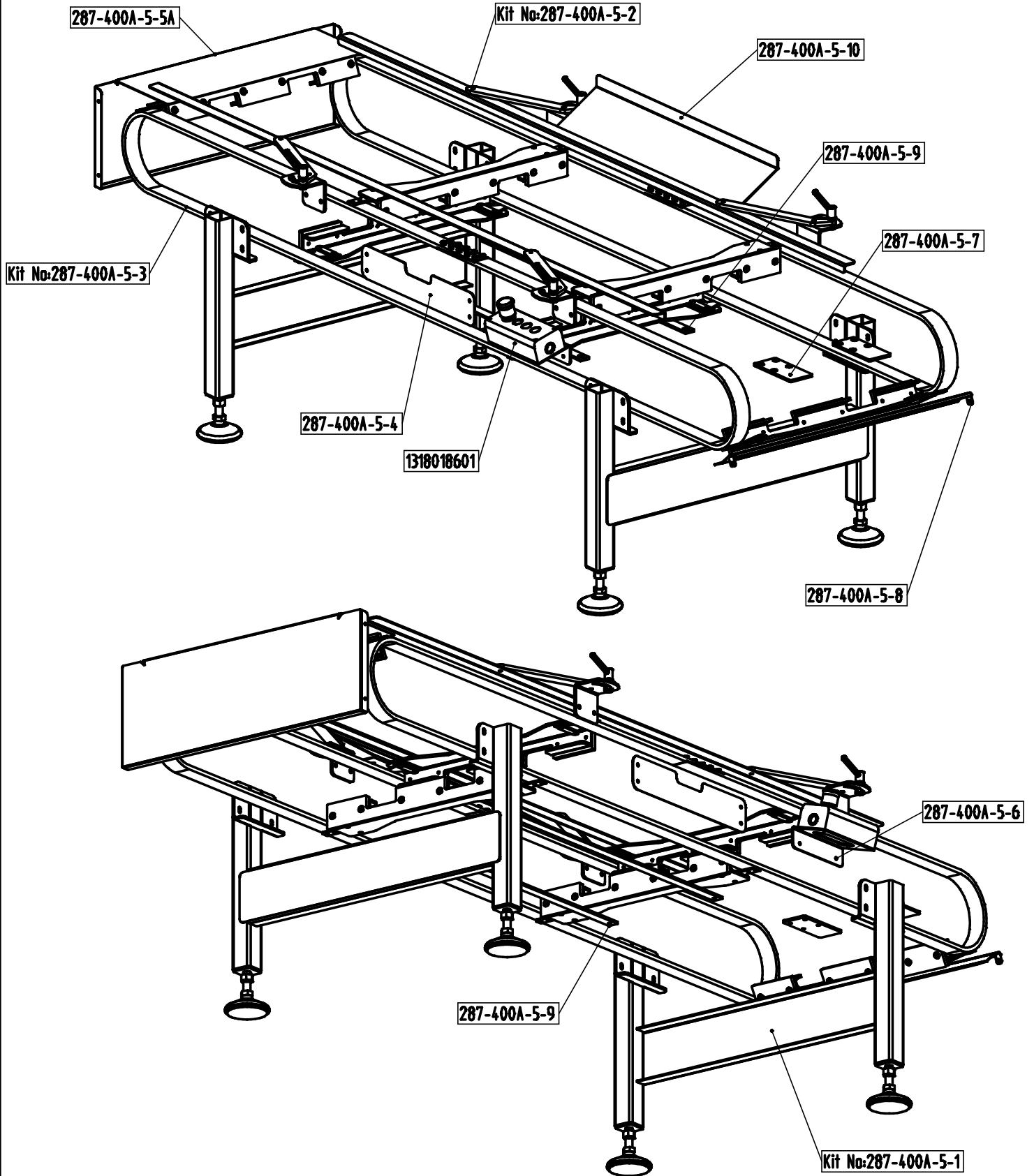




Kit No:
287-400A-5



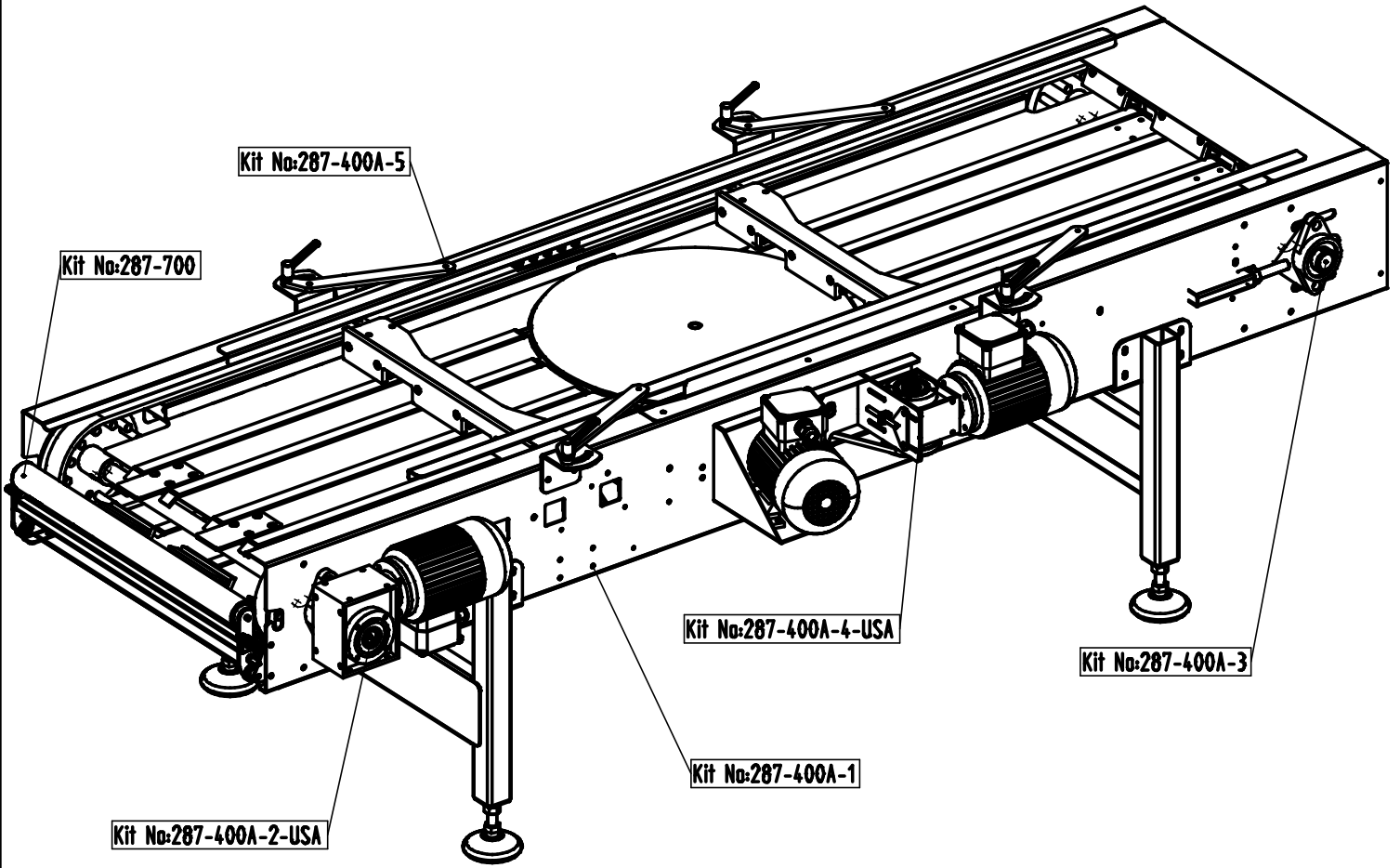
Partner in Growing

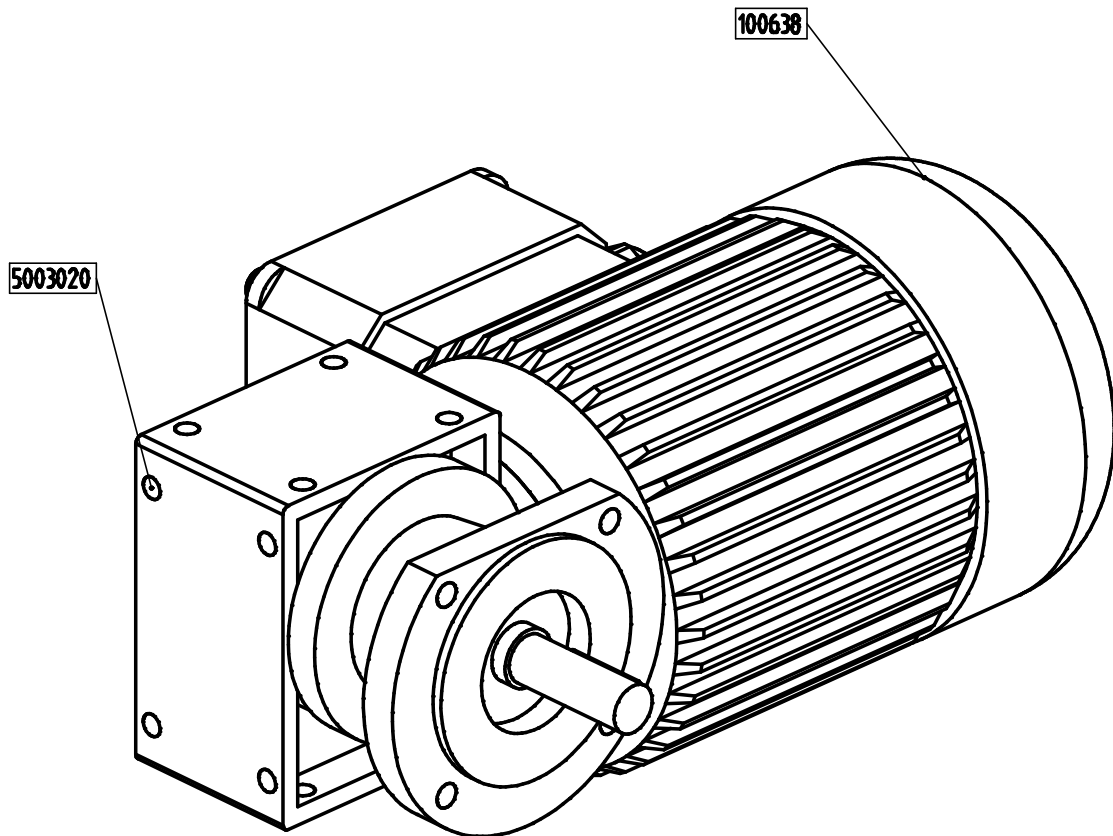


Kit No:
287-400A-USA



Partner in Growing

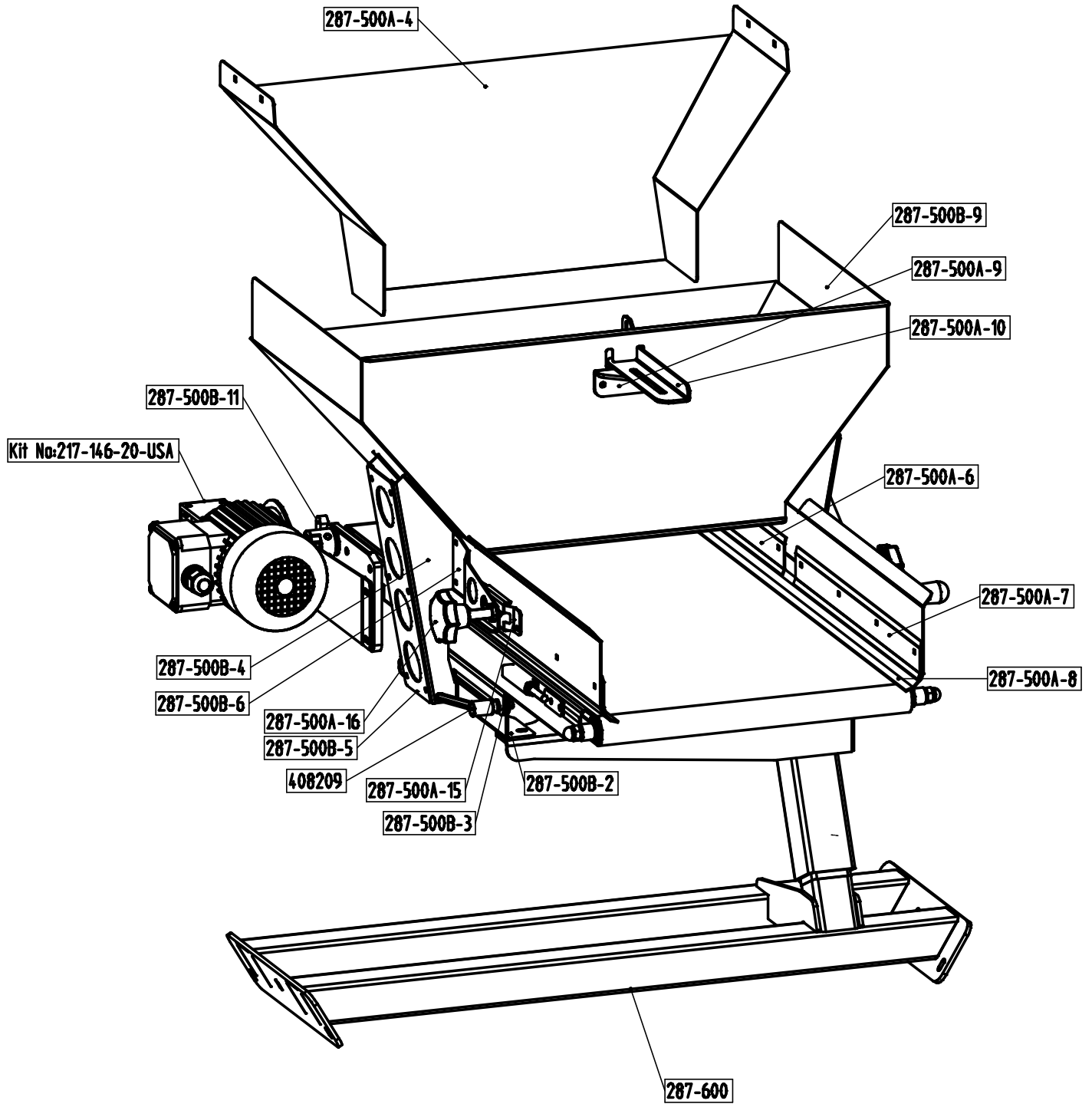




Kit No:
287-500B-USA



Partner in Growing



Trädgårdsteknik AB
Helsingborgsvägen Varalöv
262 96 ÄNGELHOLM
Tel: 0431-22290
Fax: 0431-22270
Mail: info@[tradgardsteknik.se](mailto:info@tradgardsteknik.se)
Webb: www.tradgardsteknik.se